

PLUG KIT PART NUMBER
SEE TABLE 2 ON SHEET 2

OCTIS PLUG KIT, PoE, FIELD TERMINABLE, PITCH 26MM

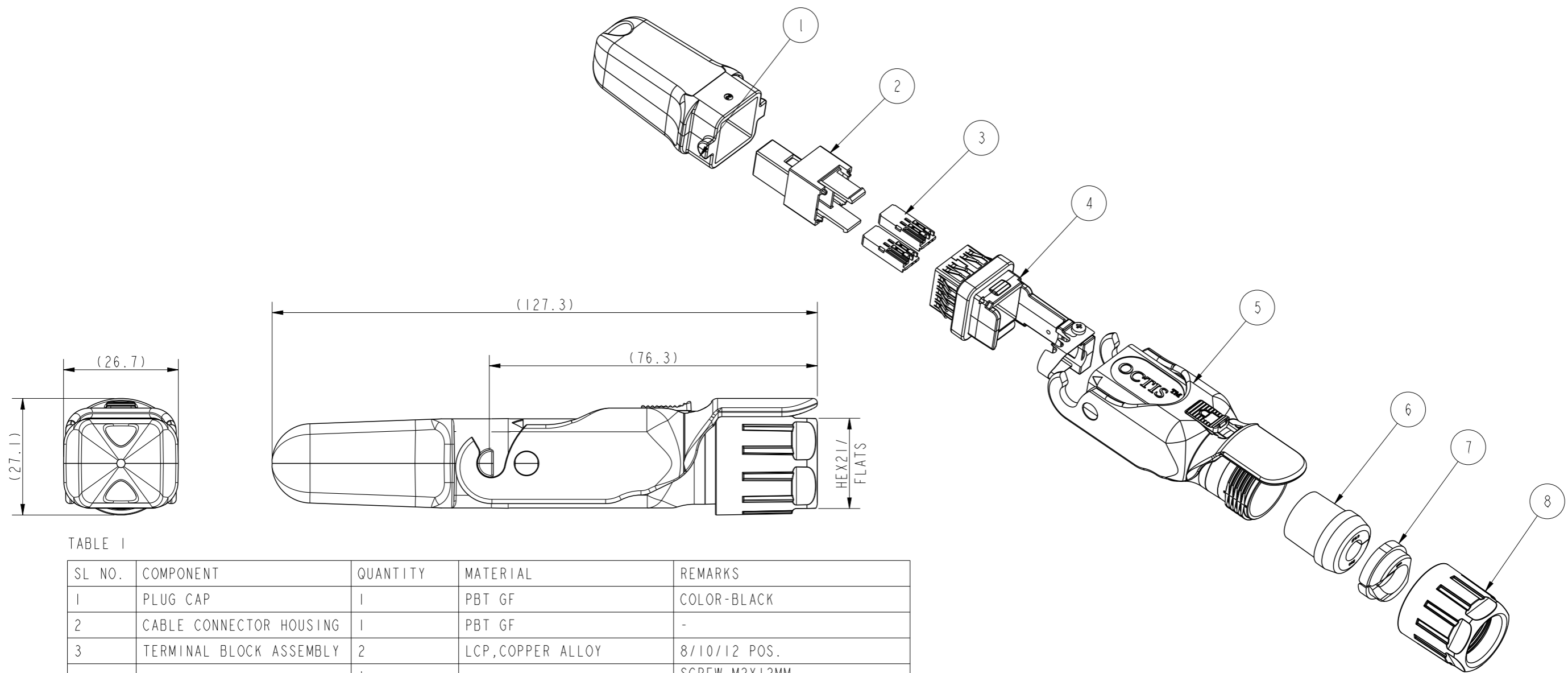


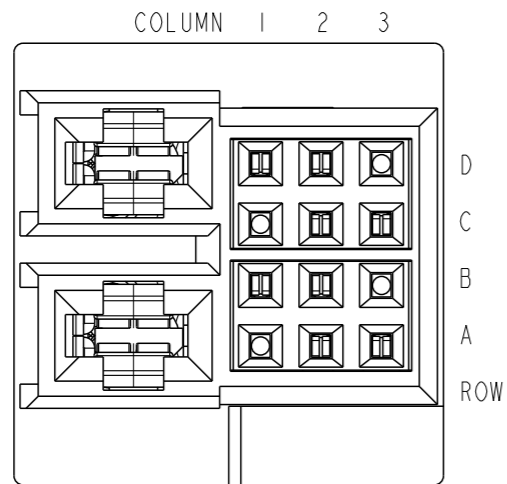
TABLE 1

SL NO.	COMPONENT	QUANTITY	MATERIAL	REMARKS
1	PLUG CAP	1	PBT GF	COLOR-BLACK
2	CABLE CONNECTOR HOUSING	1	PBT GF	-
3	TERMINAL BLOCK ASSEMBLY	2	LCP,COPPER ALLOY	8/10/12 POS.
4	HOLDER SUBSET KIT	1	ZAMAK(PASSIVATED), SS,SILICONE	SCREW M2X12MM RECOM.COUPLING TORQUE-22 Ncm
5	HOUSING SUBSET KIT	1	PBT GF, IXEF	-
6	SPLIT RUBBER GLAND	1	SILICONE	DIA 7MM *
7	TIGHTENING CONE	1	PA	-
8	GLAND NUT	1	PBT GF	COLOUR YELLOW RECOM.COUPLING TORQUE-2 MIN TO 2.5 Nm

* - STD RUBBER GLAND DIA OFFERED IS 7MM;OPTIONAL RUBBER GLAND DIA OF 8,9,10 AND 11.5MM ARE AVAILABLE ON REQUEST

spec ref	dr	Alosius, Stali	2019/06/15	projection	mm	size	A3	scale	1:1
tolerance std	eng	Alosius, Stali	2020/12/29			ecn no	ELX-I-38831-1	rel level	Released
ISO 406 ISO 1101	chr	-	-						
surface	appr	Kuriakose, San	2020/12/29			rel level	Released	dwg no	10135750
ISO 1302	linear	TOLERANCES UNLESS OTHERWISE SPECIFIED		OCTIS PLUG KIT, SIGNAL		rev	G	cat. no.	
	angular	0.X	±0.3	FIELD TERMINABLE, PITCH 26mm		Product - Customer Drw		sheet 1 of 2	
		0.XX	±0.10						
		0.XXX	±0.050						
		0°	±2°						

CONNECTOR FRONT VIEW
(SHOWN 10135750-101LF)



PACKING CONFIGURATION

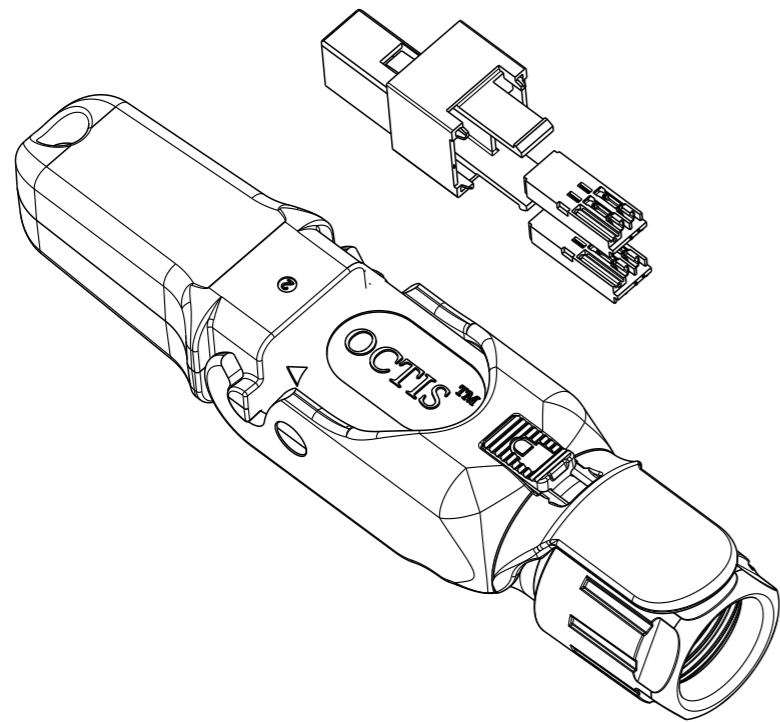


TABLE 2

AFCI PART NO	ROW	COLUMN1	COLUMN2	COLUMN3
	SIGNAL CONTACT LOADING POSITION			
10135750-101LF	D	X	X	-
	C	-	X	X
	B	X	X	-
	A	-	X	X
10135750-102LF	D	X	X	X
	C	-	X	X
	B	X	X	X
	A	-	X	X
10135750-103LF	D	X	X	X
	C	X	X	X
	B	X	X	X
	A	X	X	X
10135750-104LF	D	-	X	X
	C	-	X	X
	B	-	X	X
	A	-	X	X

X INDICATES CONTACT LOADED POSITION

PACKING NOTE: UNITARY IN PLASTIC BAG WITH ASSEMBLY NOTE

spec ref	dr	Alosius, Stali	2019/06/15	projection	mm	size	A3	scale	1:1
tolerance std	eng	Alosius, Stali	2020/12/29			ecn no	ELX-I-38831-1	rel level	Released
ISO 406 ISO 1101	chr	-	-						
surface	appr	Kuriakose, San	2020/12/29			rel level	Released	dwg no	10135750
ISO 1302	linear	0.X	±0.3	OCTIS PLUG KIT, SIGNAL		rev	G	cat. no.	-
	angular	0°	±2°	FIELD TERMINABLE, PITCH 26mm		Product - Customer Drw	sheet 2 of 2		

Mouser Electronics

Authorized Distributor

Click to View Pricing, Inventory, Delivery & Lifecycle Information:

[FCI / Amphenol:](#)

[10135750-102LF](#) [10135750-103LF](#)