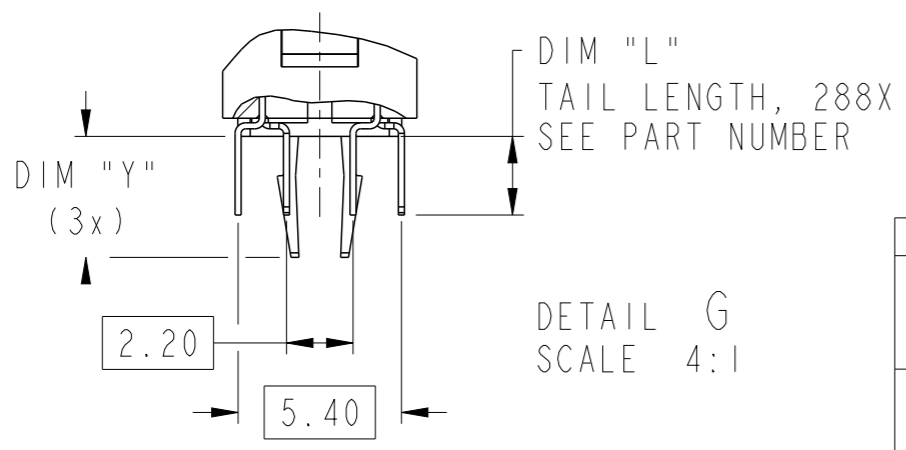
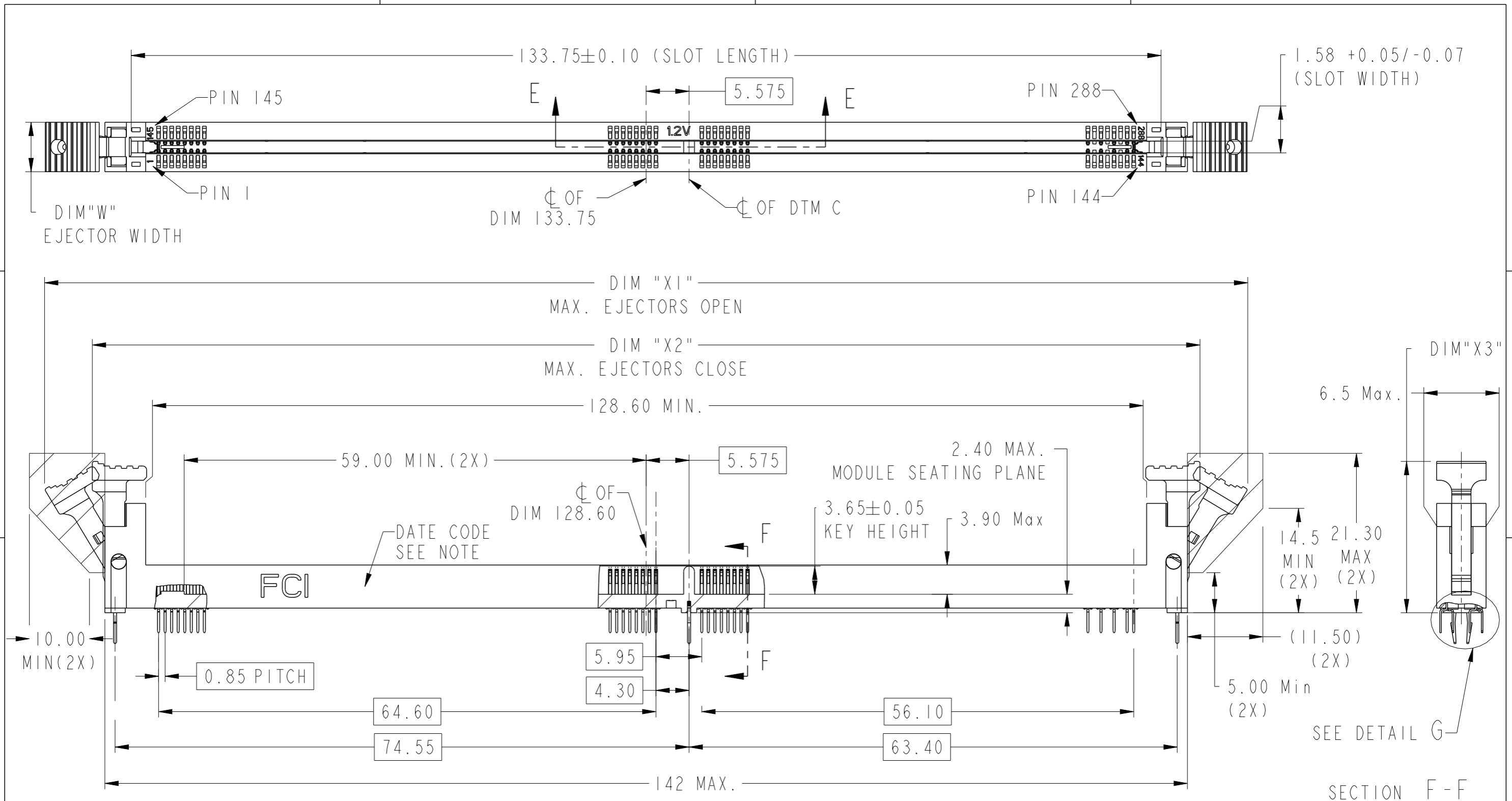


Amphenol
FCi

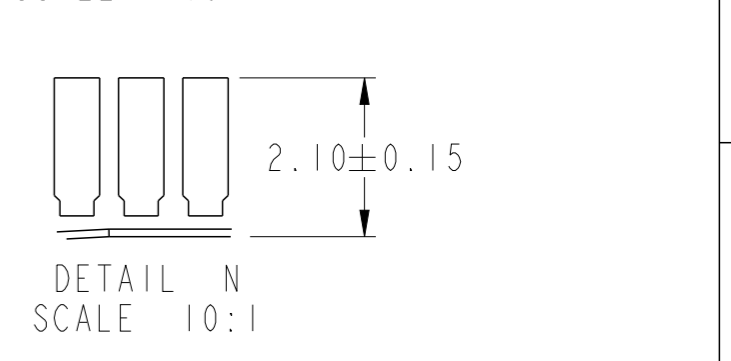
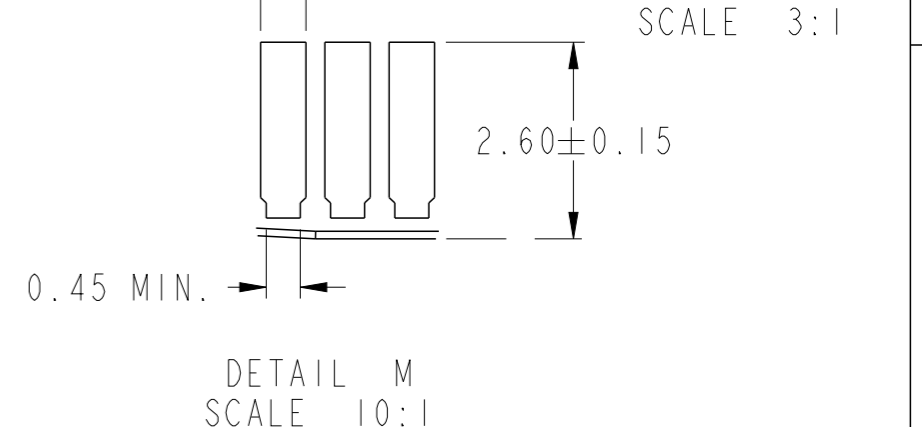
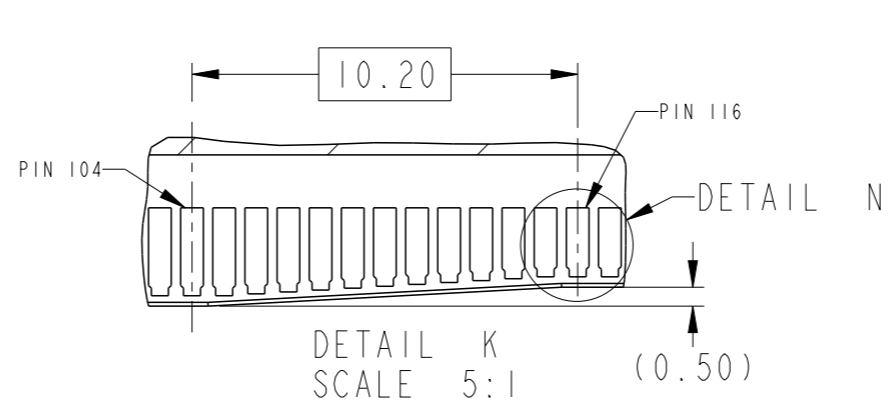
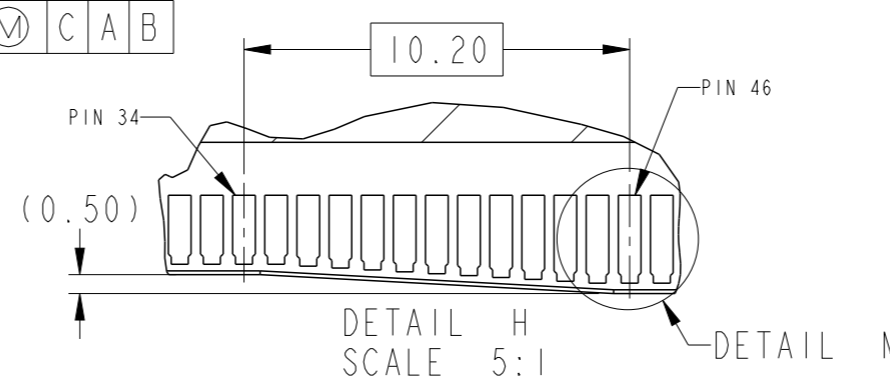
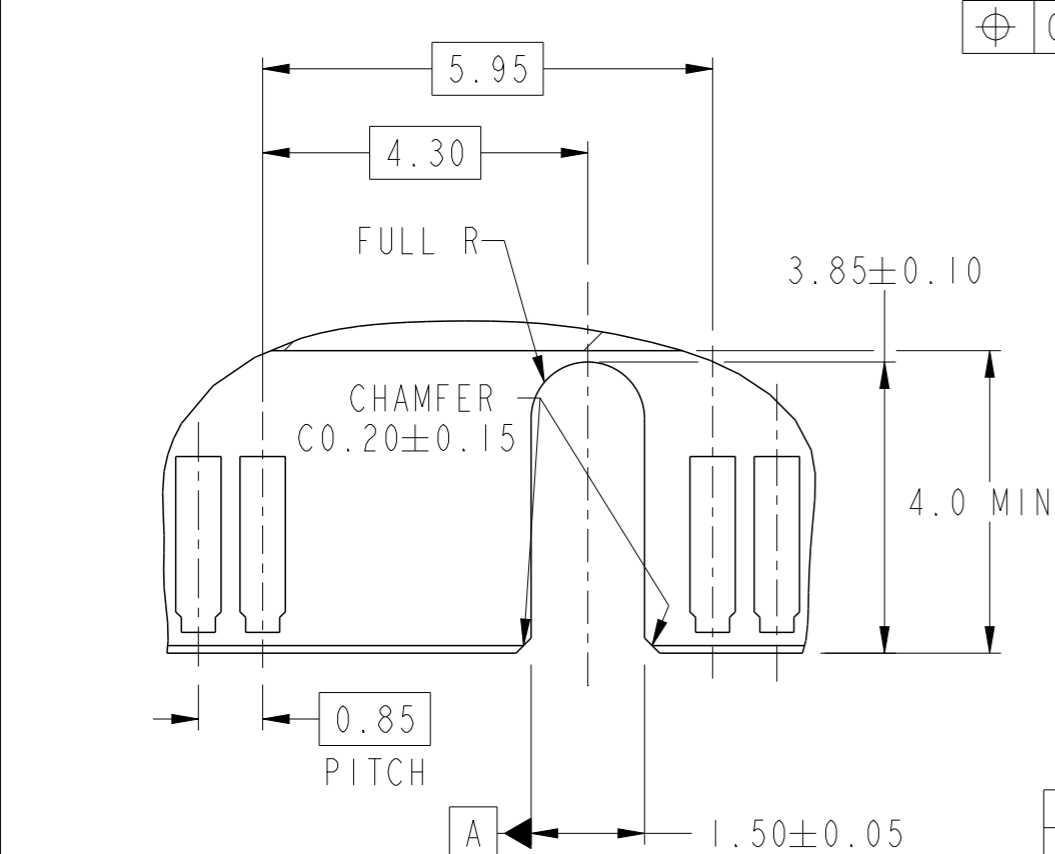
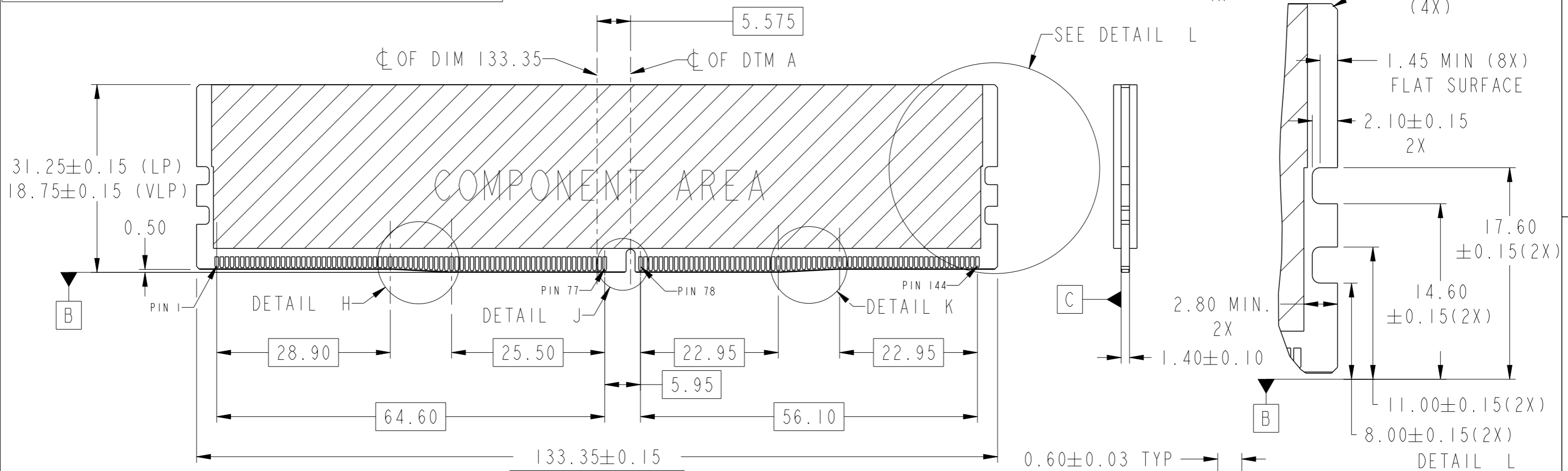
© 2016 AFCI



spec ref	dr	Eric Jiang	2014/09/04	projection	MM	size	A3	scale	7:5
tolerance std	eng	Jeny Ren	2016/10/13			ecn no		rel level	
TOLERANCES UNLESS OTHERWISE SPECIFIED						-		Released	
surface	ISO 1302	linear	0.X	±0.30	Amphenol FCi	product family		- Product - Customer Drw	sheet 1 of 4
			0.XX	±0.20		-			
			0.XXX	±0.10		-			
	angular	0°	±2°	-		-			

DDR4 288Pin DIMM CONNECTOR
 PTH TERMINATION
 cat. no. -
 dwg no 10130419
 rev A

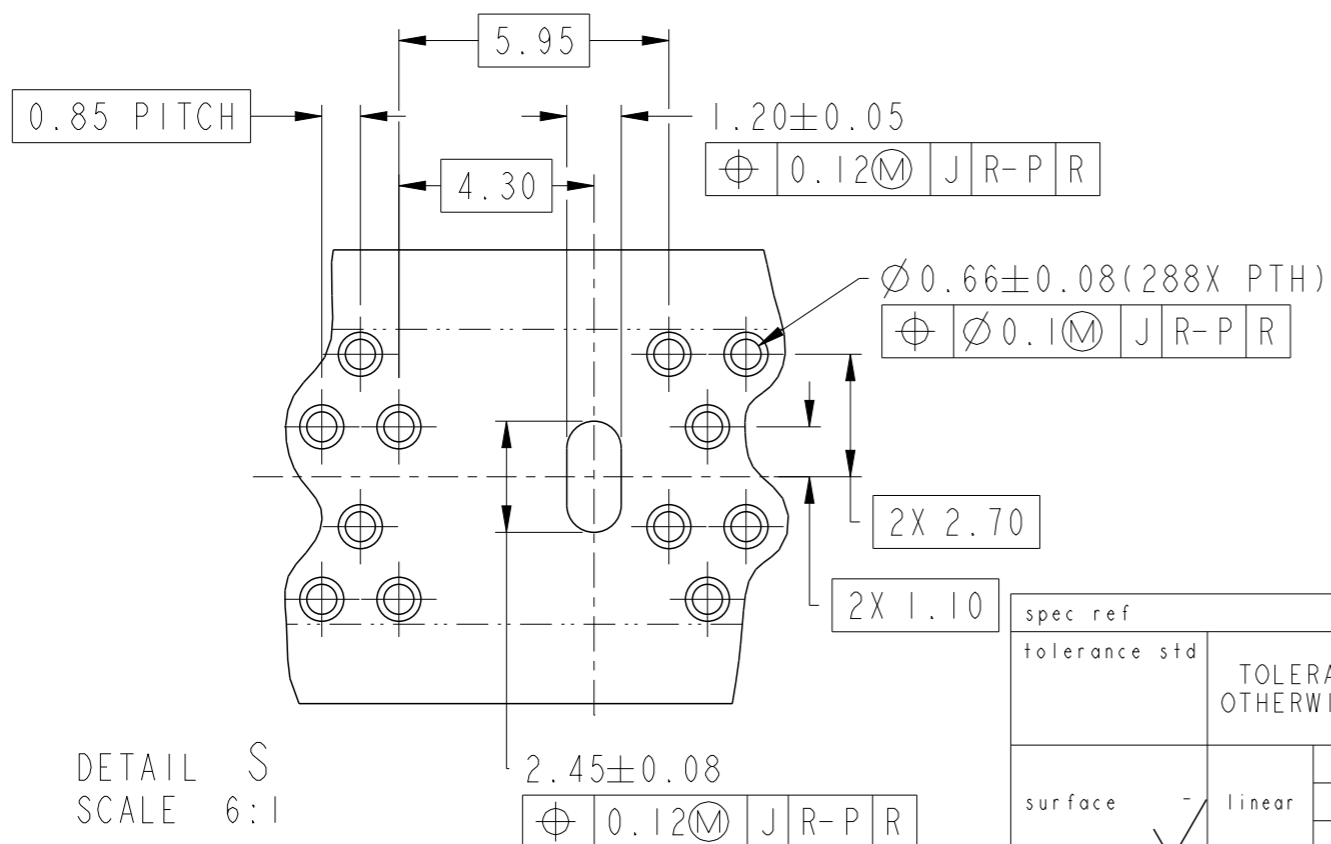
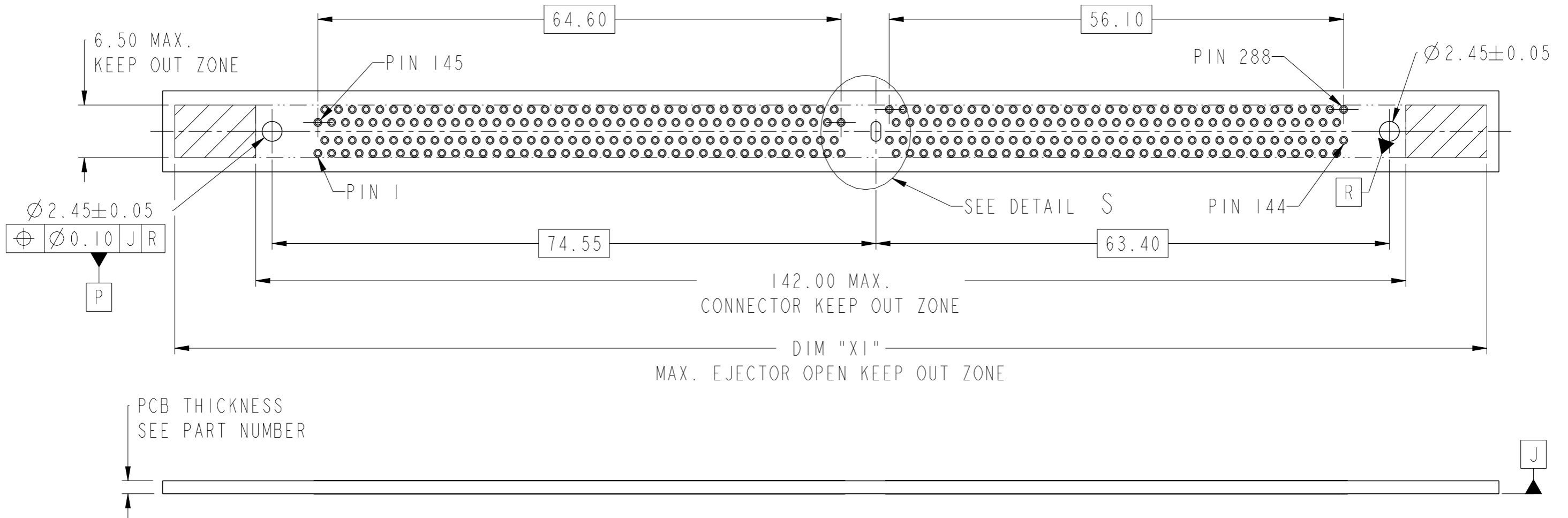
DDR4 MODULE
MORE INFORMATION REFER TO JEDEC MO-309



spec ref	dr Eric Jiang 2014/09/04		projection	MM	size	A3	scale	1:1		
tolerance std	eng Jeny Ren 2016/10/13				ecn no		rel level Released			
TOLERANCES UNLESS OTHERWISE SPECIFIED		chr			-		-		-	
surface	linear	0.X ±0.30			product family		-			
		0.XX ±0.20			-		-		-	
		0.XXX ±0.10			-		-		-	
ISO 1302	angular	0° ±2°	cat. no.		-		Product - Customer Drw			
			dwg no		10130419		rev A			
			product family		-		sheet 2 of 4			

© 2016 AFCI
 Amphenol FCI

RECOMMENDED PCB LAYOUT
 MORE INFORMATION REFER TO JEDEC SO-016



spec ref	dr	Eric Jiang	2014/09/04	projection	MM	size	A3	scale	2:1
tolerance std	eng	Jeny Ren	2016/10/13			ecn no		rel level	
TOLERANCES UNLESS OTHERWISE SPECIFIED		chr	-			-		Released	
surface	appr	Nickor Zuo	2016/10/13	product family	-	-		-	
ISO 1302	linear	0.X	±0.30	Amphenol FCI		DDR4 288Pin DIMM CONNECTOR		dwg no	10130419
		0.XX	±0.20	PTH TERMINATION		-		rev	A
	angular	0°	±2°	cat. no.	-	Product - Customer Drw		sheet 3 of 4	

PRODUCT PART NUMBER

10130419-□□□□□□□□

ADDITIONAL REQUIREMENTS

0: RoHS COMPLIANT
 2: RoHS COMPLIANT AND HIGHER NORMAL FORCE (SEE NOTE 4)

HOLD DOWNS CONFIGURATIONS

0: 3 FORKLOCKS, DIM "Y" = 4.00 ± 0.25

DIM "L", TAIL LENGTH

0: 2.60 ± 0.25
 1: 3.20 ± 0.25
 3: 2.40 ± 0.25

HOUSING COLOR

0: NATURAL
 1: BLACK
 2: BLUE

EJECTOR TYPE

CODE	COLOR	DIM"X1"	DIM"X2"	DIM"W"	DIM"X3"	EJECTOR FIGURE
0	NATURAL	162.00	149.00	(6.42)	(19.95)	
1	BLACK					
J	NATURAL	155.00	145.00	(6.42)	(19.65)	
K	BLACK					
L	BLUE					

TAIL PLATING

LF: 100u" MIN. MATTE TIN
 TL: 100u" MIN. TIN LEAD

CONTACT AREA PLATING

CODE	CONTACT AREA	UNDERPLATING
1	15u" MIN. GOLD	50u" MIN. NICKEL
3	30u" MIN. GOLD	

CONTACTS LUBRICATION

0: WITHOUT
 1: WITH

NOTES:

- MATERIALS:
 HOUSING: HIGH TEMP THERMOPLASTIC WITH GLASS FIBER, UL94V-0
 EJECTOR: HIGH TEMP THERMOPLASTIC WITH GLASS FIBER, UL94V-0
 TERMINAL: COPPER ALLOY
 FORKLOCK: COPPER ALLOY
- DATE CODE "MMDDYYL", MMDDYY IS ASSEMBLY DATE, L IS FCI PRODUCTION LINE.
- SPECIFICATION:
 PRODUCTION SPECIFICATION: FCI GS-12-1092.
 PACKAGE SPECIFICATION: FCI GS-14-2267.
 APPLICATION SPECIFICATION: FCI GS-20-0353.
- FOR HIGH NORMAL FORCE VERSION, THE INSERTION FORCE IS 126.4N MAX.
- THIS PRODUCT WILL WITHSTAND EXPOSURE TO 260°C PEAK TEMPERATURE FOR 10 SECONDS IN WAVE SOLDERING APPLICATION.
- THIS PRODUCT MEETS EUROPEAN UNION DIRECTIVES AND OTHER COUNTRY REGULATIONS AS DESCRIBED IN GS-47-0004.

spec ref	dr	Eric Jiang	2014/09/04	projection	MM	size	A3	scale	1:1	
tolerance std	eng	Jeny Ren	2016/10/13		← →	ecn no				
TOLERANCES UNLESS OTHERWISE SPECIFIED	chr	-	-			rel level				
	appr	Nickor Zuo	2016/10/13	product family	-	Released				
	surface	linear	0.X	±0.30	Amphenol FCI		DDR4 288Pin DIMM CONNECTOR	dwg no	10130419	rev
		0.XX	±0.20			PTH TERMINATION				
		0.XXX	±0.10							
ISO 1302	angular	0°	±2°			cat. no.	-	Product - Customer Drw	sheet 4 of 4	

Mouser Electronics

Authorized Distributor

Click to View Pricing, Inventory, Delivery & Lifecycle Information:

[FCI / Amphenol:](#)

[10130419-2030001LF](#) [10130419-2031101LF](#) [10130419-2030J01LF](#) [10130419-0011J03LF](#) [10130419-2031K01LF](#)
[10130419-2001K01LF](#) [10130419-0001K03LF](#) [10130419-2000J01LF](#) [10130419-2032L01LF](#) [10130419-2030011LF](#)
[10130419-2011113LF](#) [10130419-0031J03LF](#) [10130419-2010013LF](#) [10130419-0031K03LF](#) [10130419-0001K01LF](#)
[10130419-0001101LF](#) [10130419-2011101LF](#) [10130419-2010001LF](#)