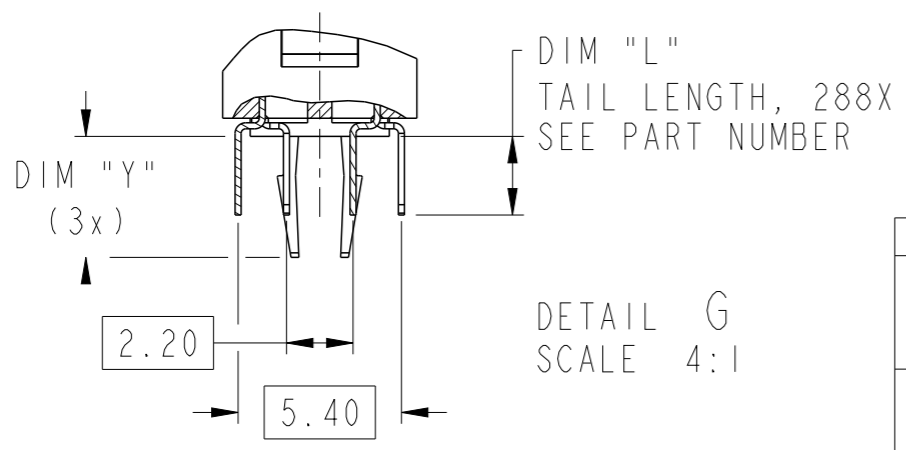
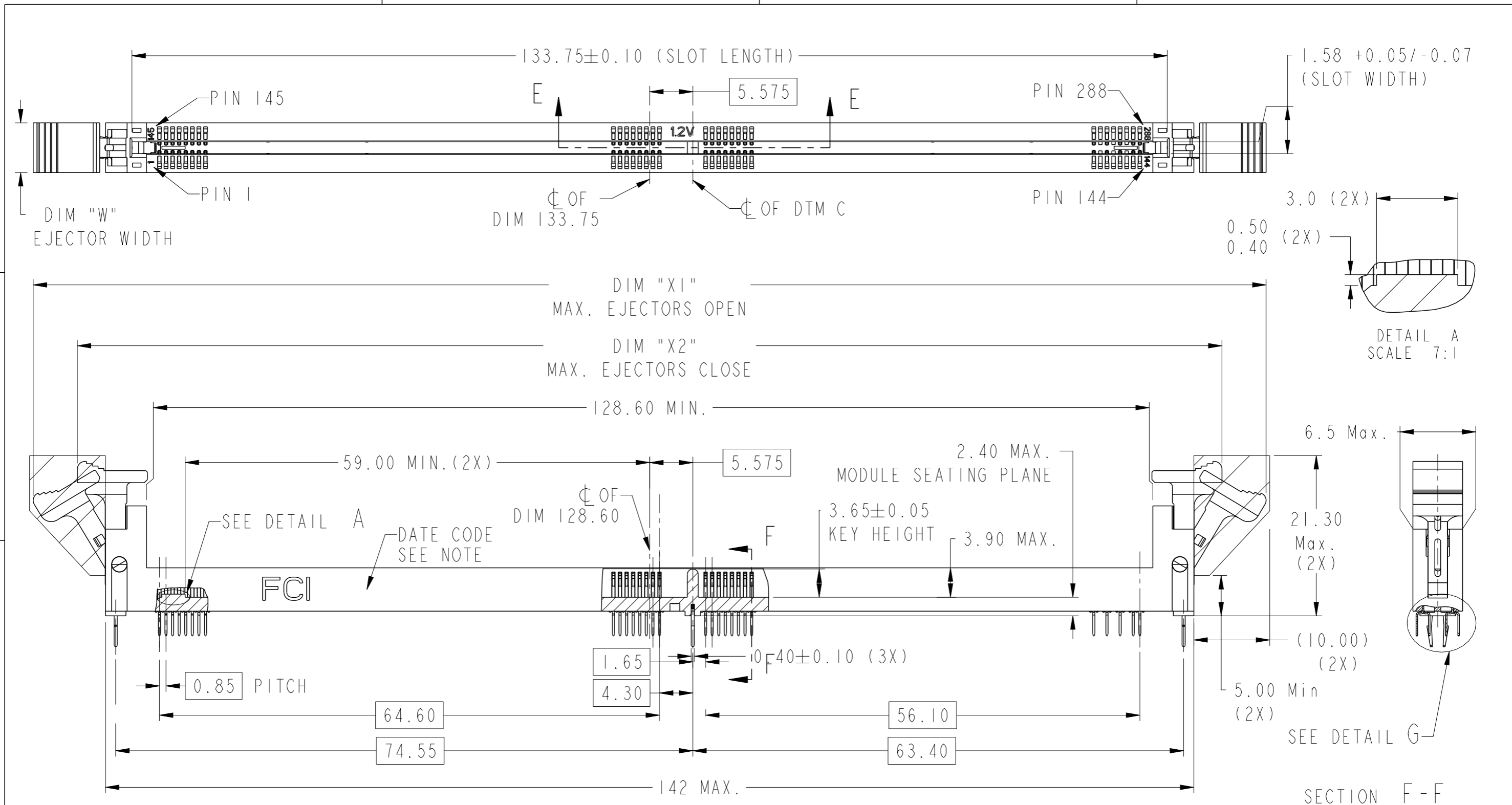


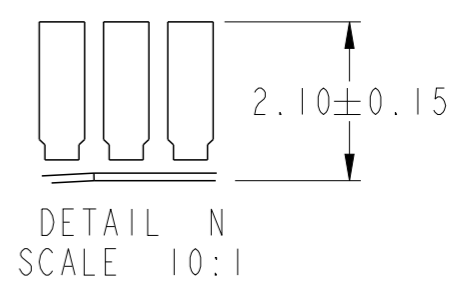
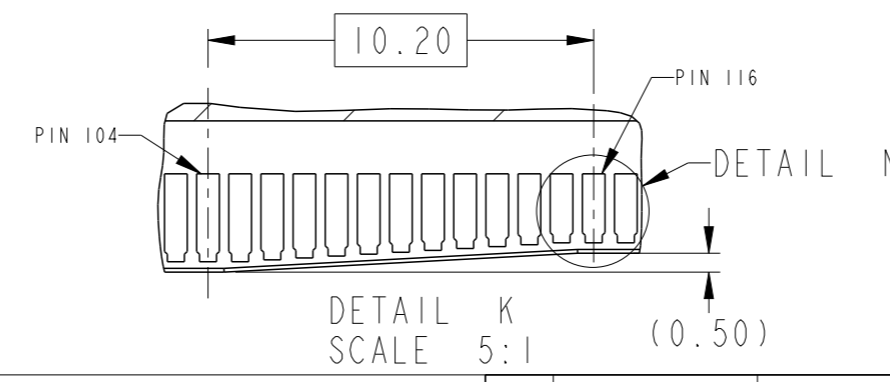
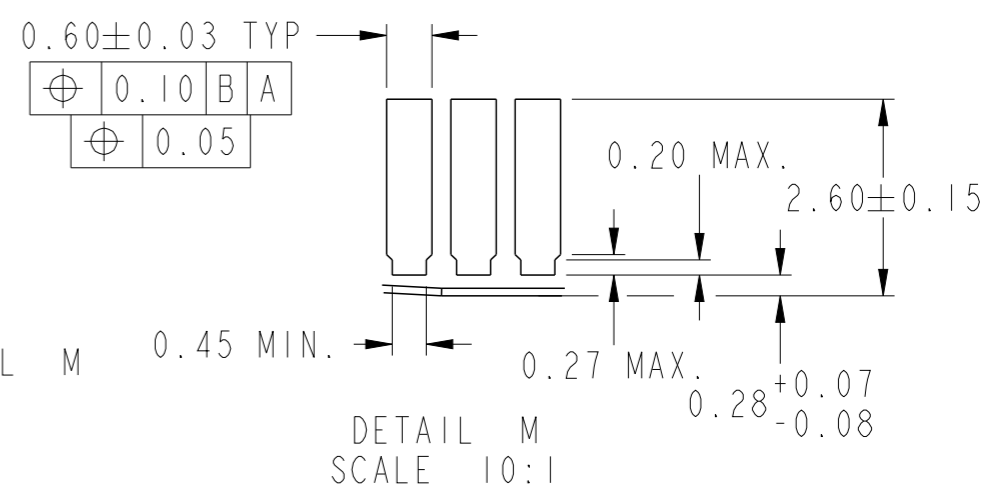
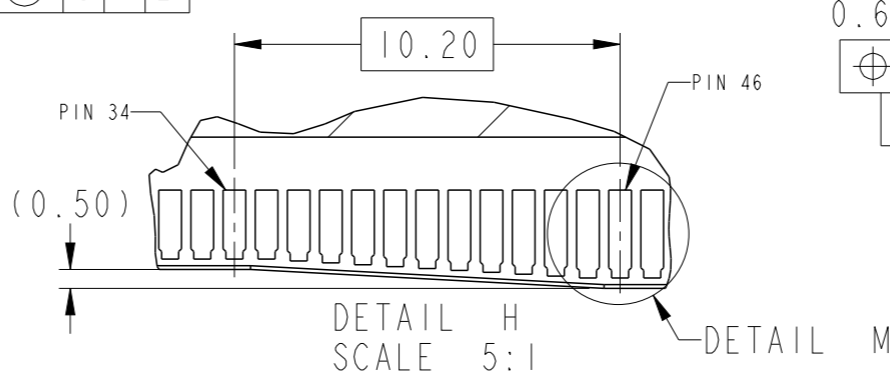
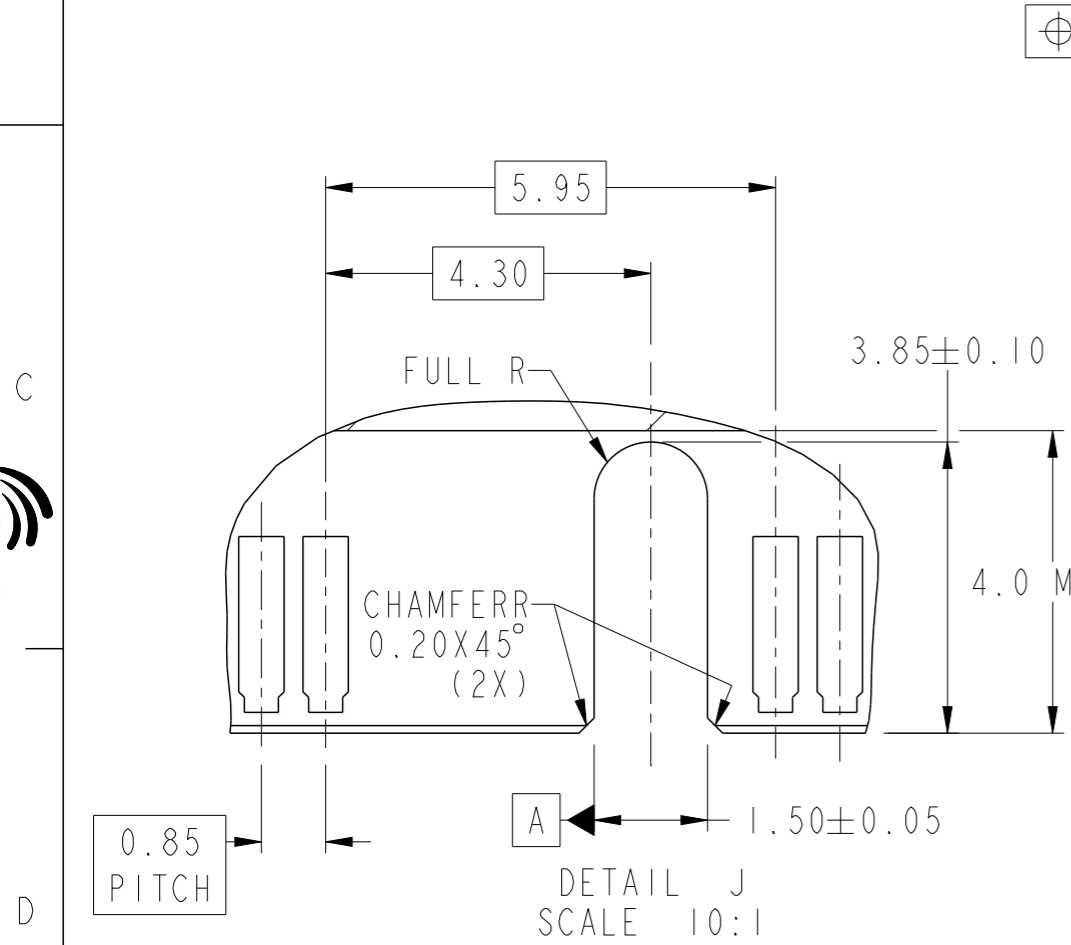
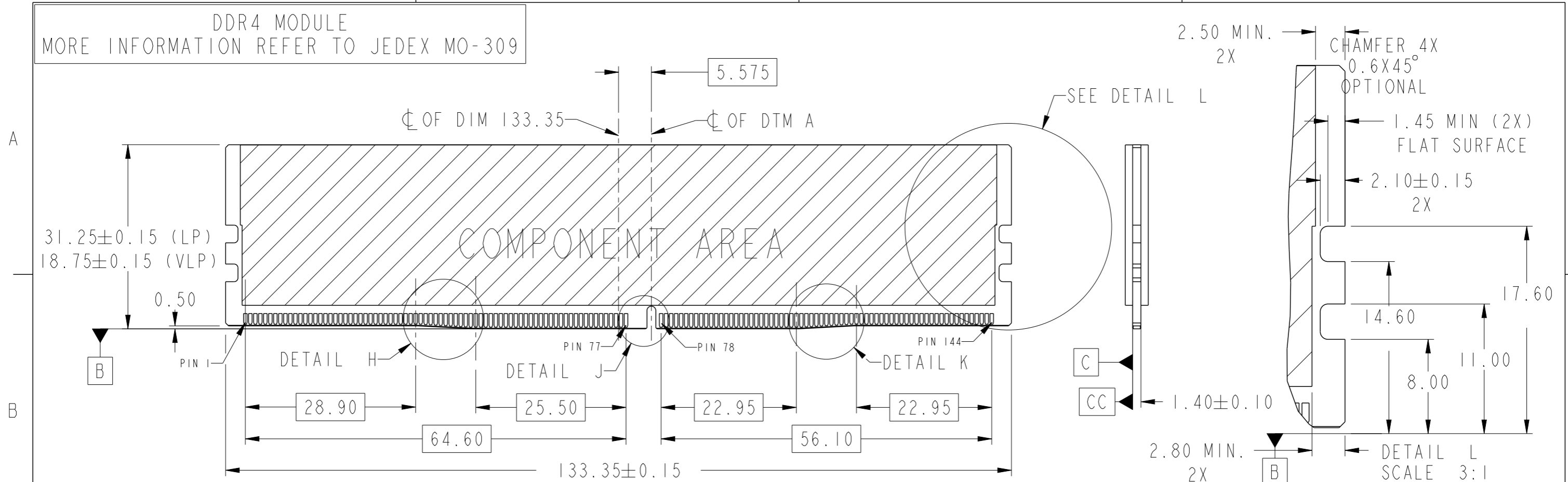


Copyright FCI.



spec ref	dr	Nickor Zuo	2014/02/04	projection	MM	size	A3	scale	7:5	
tolerance std	eng	Jeny Ren	2015/07/17			ecn no	ELX-DG-21430-1	rel level	Released	
TOLERANCES UNLESS OTHERWISE SPECIFIED	chr	Nickor Zuo	2015/07/20							
	surface	appr	Pei-Ming Zheng	2015/07/20	product family	-	rel level	Released	rev	
ISO 1302	linear	0.X	±0.30		DDR4 288Pin DIMM CONNECTOR PTH TERMINATION (FOR CISCO)	dwg no 10129040	rev C	Product - Customer Drw		
	angular	0°	±2°					cat. no.	-	sheet 1 of 5

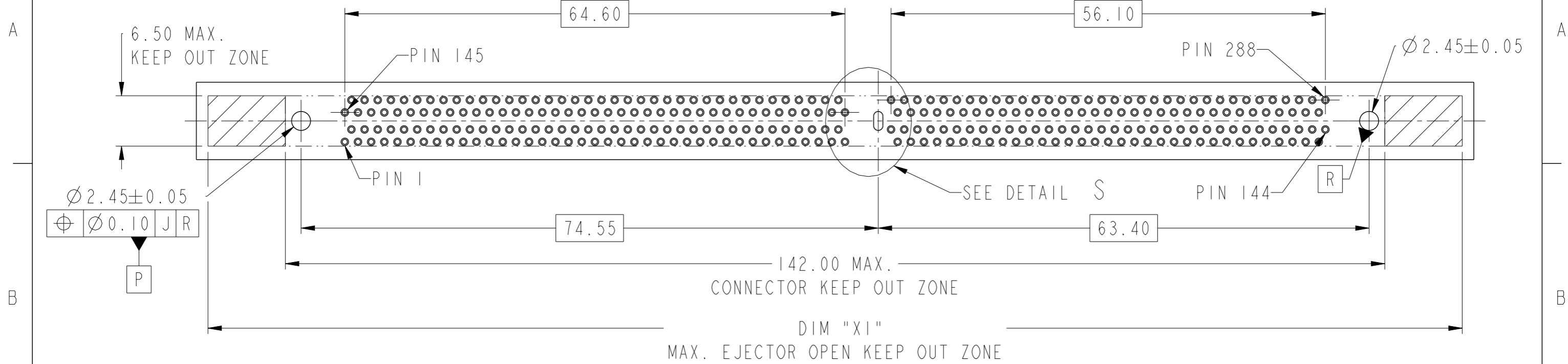
DDR4 MODULE
MORE INFORMATION REFER TO JEDEX MO-309



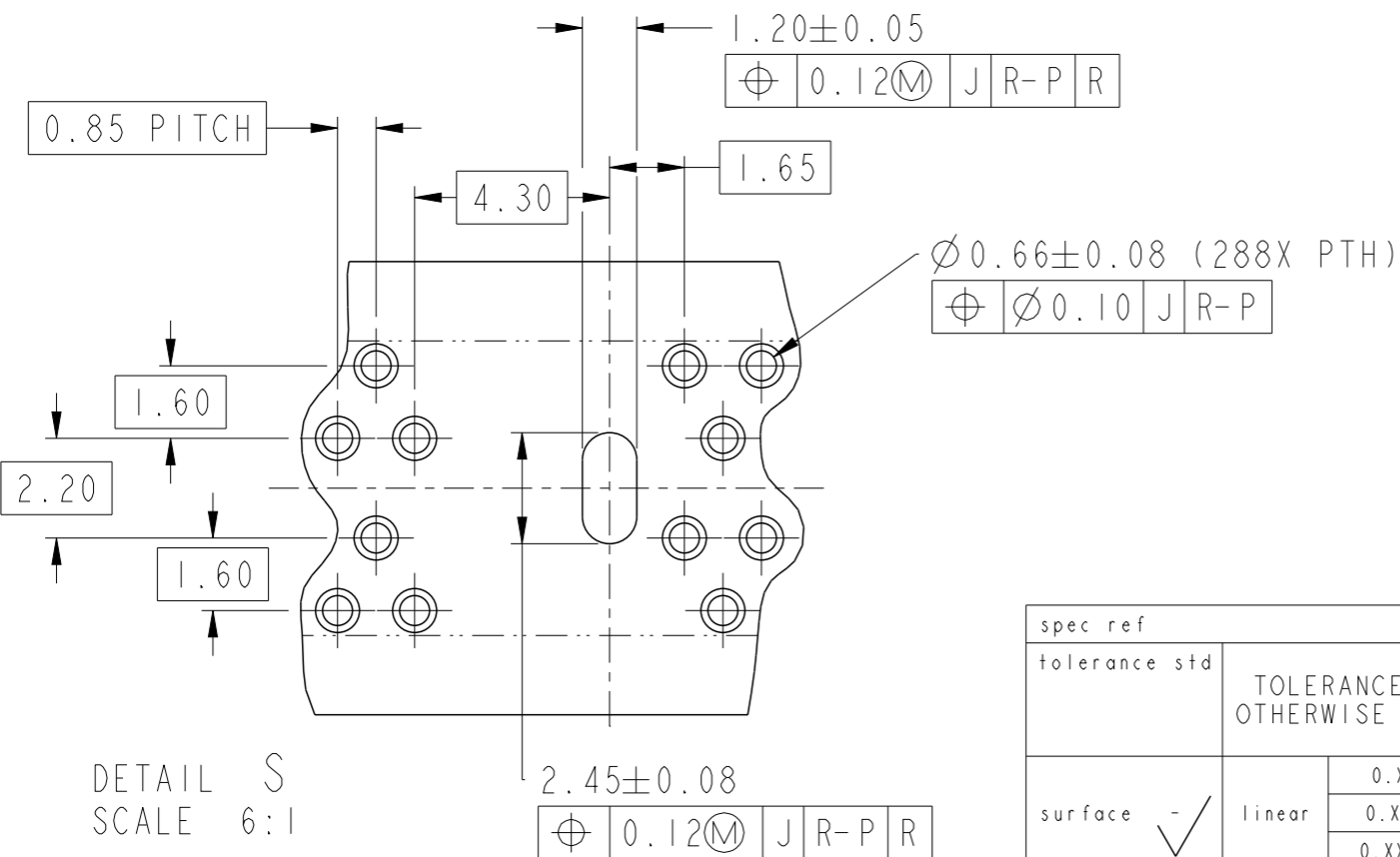
spec ref	dr	Nickor Zuo	2014/02/04	projection	MM	size	A3	scale	1:1
tolerance std	eng	Jeny Ren	2015/07/17			ecn no	ELX-DG-21430-1	rel level	Released
TOLERANCES UNLESS OTHERWISE SPECIFIED surface ✓	chr	Nickor Zuo	2015/07/20						
	appr	Pei-Ming Zheng	2015/07/20	cat. no.	-	Product - Customer Drw	sheet 2 of 5		
	ISO 1302	linear	0.X	±0.30	DDR4 288Pin DIMM CONNECTOR PTH TERMINATION (FOR CISCO)				
		0.XX	±0.20	www.fci.com					
		0.XXX	±0.10						
	angular	0°	±2°						

Copyright FCI.

RECOMMENDED PCB LAYOUT OPTION I

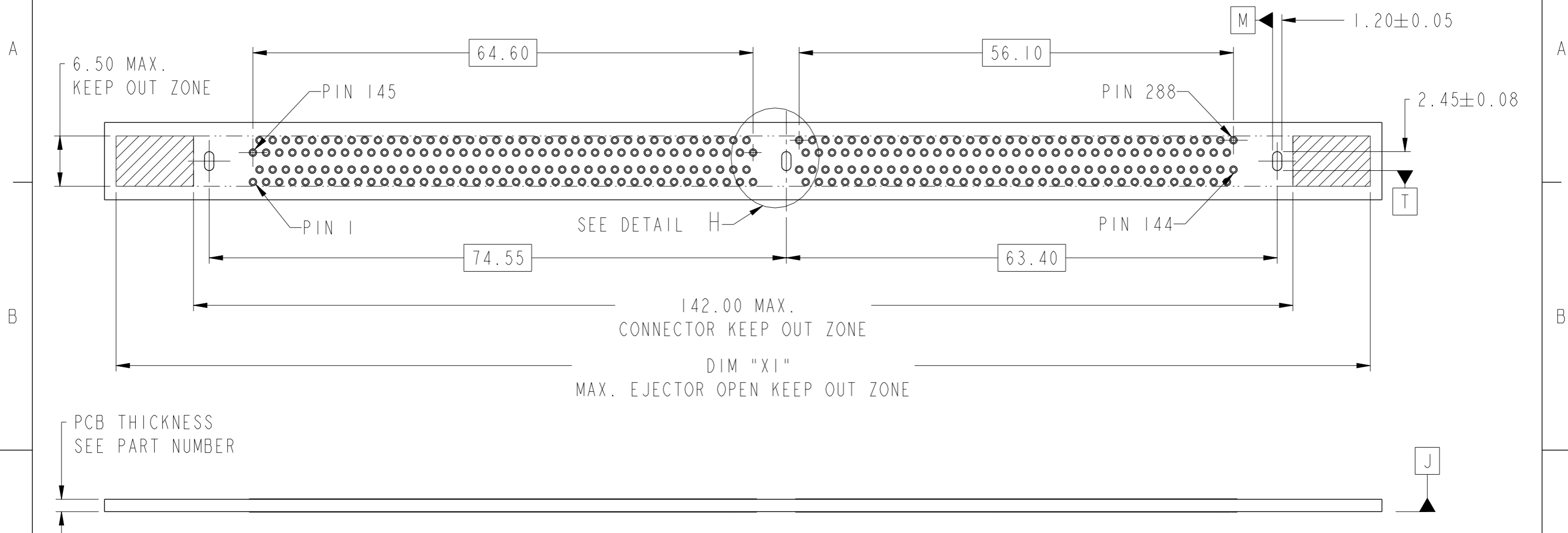


PCB THICKNESS
SEE PART NUMBER

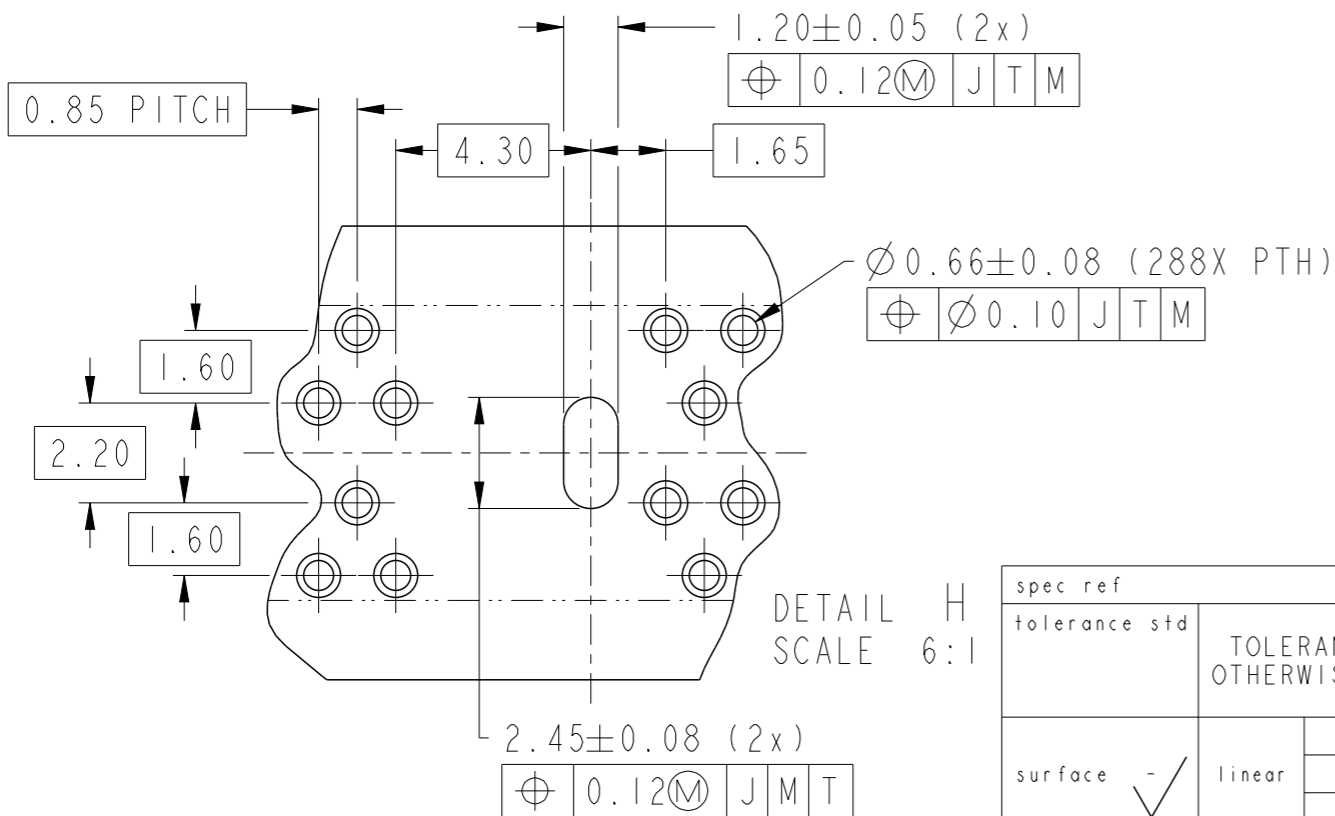


spec ref	dr	Nickor Zuo	2014/02/04	projection	MM	size	A3	scale	2:1
tolerance std	eng	Jeny Ren	2015/07/17			ecn no	ELX-DG-21430-1	rel level	
TOLERANCES UNLESS OTHERWISE SPECIFIED		chr	Nickor Zuo			2015/07/20	Released		
surface	linear	appr	Pei-Ming Zheng	2015/07/20	product family			cat. no.	Product - Customer Drw
ISO 1302	angular	0°	±2°			DDR4 288Pin DIMM CONNECTOR PTH TERMINATION (FOR CISCO)	dwg no 10129040	rev C	sheet 3 of 5

RECOMMENDED PCB LAYOUT OPTION2



PCB THICKNESS
SEE PART NUMBER



spec ref	dr	Nickor Zuo	2014/02/04	projection	MM	size	A3	scale	1:1
tolerance std	eng	Jeny Ren	2015/07/17			ecn no	ELX-DG-21430-1		
TOLERANCES UNLESS OTHERWISE SPECIFIED	chr	Nickor Zuo	2015/07/20			rel level	Released		
	surface	appr	Pei-Ming Zheng	2015/07/20	product family				
ISO 1302	linear	0.X	±0.30		DDR4 288Pin DIMM CONNECTOR PTH TERMINATION (FOR CISCO)	dwg no 10129040	rev C		
		0.XX	±0.20						
		0.XXX	±0.10						
	angular	0°	±2°	www.fci.com	cat. no.	-	Product - Customer Drw	sheet 4 of 5	

PRODUCT PART NUMBER

10129040 -

ADDITIONAL REQUIREMENTS

0: RoHS COMPLIANT

HOLD DOWNS CONFIGURATIONS

0: 3 FORKLOCKS, DIM "Y" = 4.00 ± 0.25
 1: 3 FORKLOCKS, DIM "Y" = 2.50 ± 0.25
 2: 3 FORKLOCKS, DIM "Y" = 3.78 ± 0.25

DIM "L", TAIL LENGTH

0: 2.60 ± 0.25
 1: 3.20 ± 0.25
 3: 2.40 ± 0.25
 4: 2.10 + 0.25 / - 0.15
 5: 2.95 ± 0.25
 6: 2.80 ± 0.15

HOUSING COLOR

0: NATURAL
 1: BLACK
 2: BLUE

EJECTOR TYPE

CODE	COLOR	DIM "X1" MAX. EJECTORS OPEN DISTANCE	DIM "X2" MAX. EJECTORS CLOSE DISTANCE	DIM "W" EJECTOR WIDTH
0	NATURAL	162.00	149.00	(6.42)
1	BLACK			
2	BLUE			

TAIL PLATING

LF: 100u" MIN. MATE TIN
 TL: 100u" MIN. TIN LEAD

CONTACT AREA PLATING

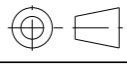

CODE	CONTACT AREA	UNDERPLATING
1	15u" MIN. GOLD	50u" MIN. NICKEL
3	30u" MIN. GOLD	
4	30u" MIN. GXT	
5	15u" MIN. GXT	90u" MIN. NICKEL
6	30u" MIN. GOLD	
7	15u" MIN. GOLD	

CONTACTS LUBRICATION

0: WITHOUT
 1: WITH

NOTES:

- MATERIALS:
 HOUSING: HIGH PERFORMANCE RESINS, GLASS FIBER FILLED, UL94 V-0 RATED.
 EJECTOR: HIGH PERFORMANCE RESINS, GLASS FIBER FILLED, UL94 V-0 RATED.
 TERMINAL: COPPER ALLOY
 FORKLOCK: COPPER ALLOY
- DATE CODE "MMDDYYL", MMDDYY IS ASSEMBLY DATE, L IS FCI PRODUCTION LINE.
- SPECIFICATION:
 PRODUCTION SPECIFICATION: FCI GS-12-1092.
 PACKAGE SPECIFICATION: FCI GS-14-2267.
 APPLICATION SPECIFICATION: FCI GS-20-0353.
- LEAD FREE PRODUCT MEETS EUROPEAN UNION DIRECTIVES AND OTHER COUNTRY REGULATIONS AS DESCRIBED IN FCI GS-22-008.
- THIS PRODUCT WILL WITHSTAND EXPOSURE TO 260°C PEAK TEMPERATURE FOR 10 SECONDS IN WAVE SOLDERING APPLICATION.
- INSERTION FORCE REFERENCE: 106.8 NEWTONS MAX. USING 1.50MM THICKNESS STEEL GAUGE PER JEDEC STANDARD.

dr	Nickor Zuo	2014/02/04	projection 	size A3	scale 1:1
eng	Jeny Ren	2015/07/17			
chr	Nickor Zuo	2015/07/20			
appr	Pei-Ming Zheng	2015/07/20	product family	-	rel level
 DDR4 288Pin DIMM CONNECTOR PTH TERMINATION (FOR CISCO)				ecn no ELX-DG-21430-1	rev C
www.fci.com		cat. no.	-	Product - Customer Drw	



Mouser Electronics

Authorized Distributor

Click to View Pricing, Inventory, Delivery & Lifecycle Information:

[FCI / Amphenol:](#)

[10129040-0131001LF](#) [10129040-0132001LF](#) [10129040-0130001LF](#) [10129040-0231007LF](#) [10129040-0232007LF](#)
[10129040-0230007LF](#) [10129040-0031117LF](#) [10129040-0032217LF](#)