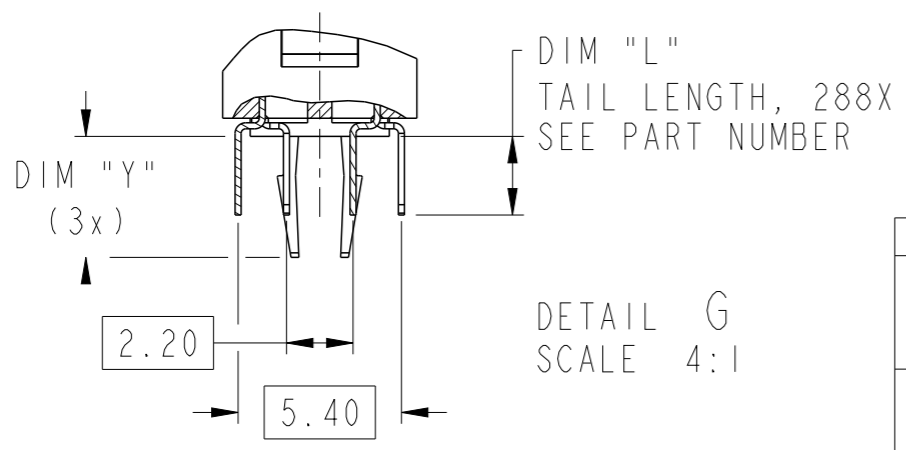
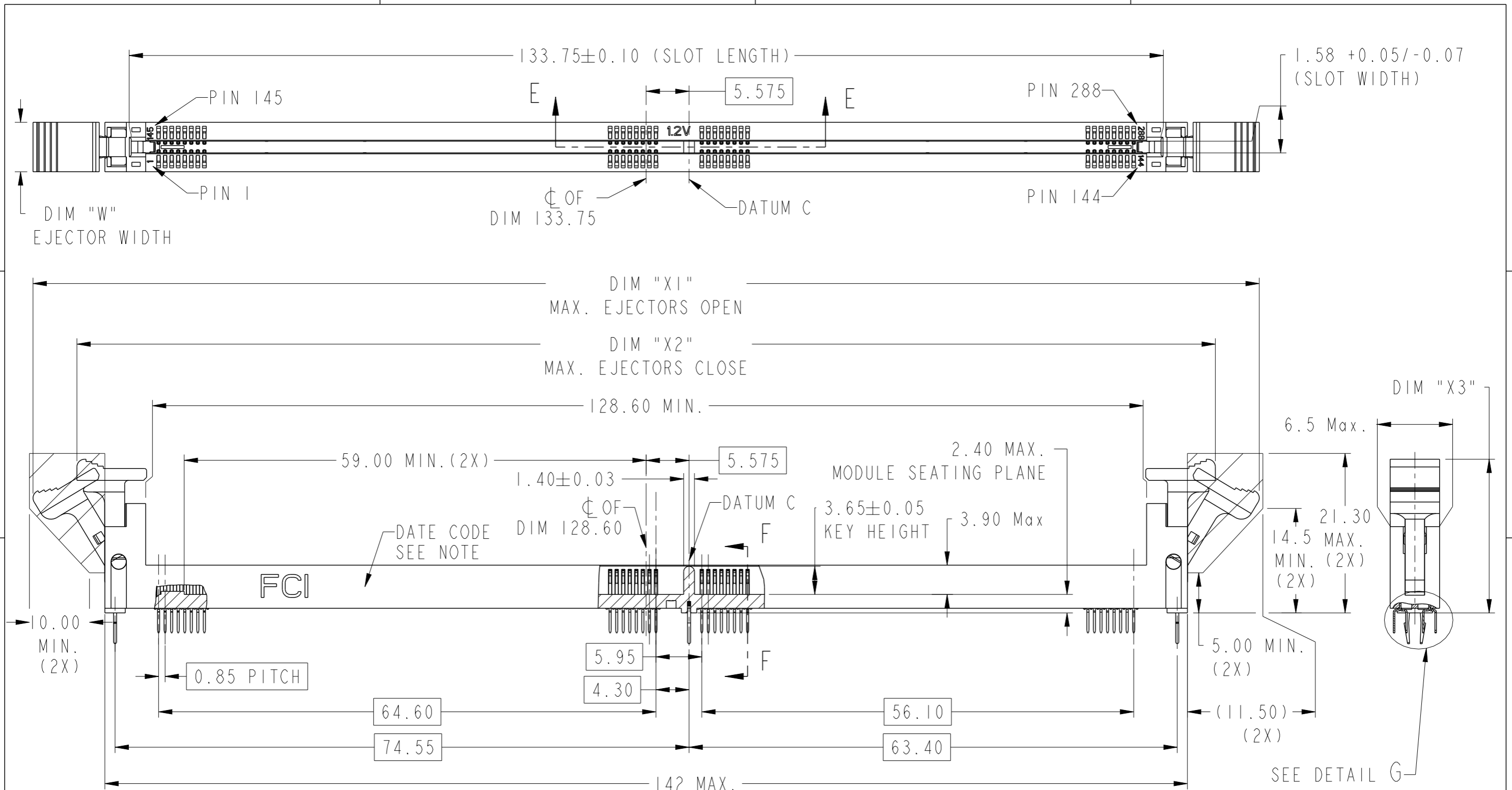


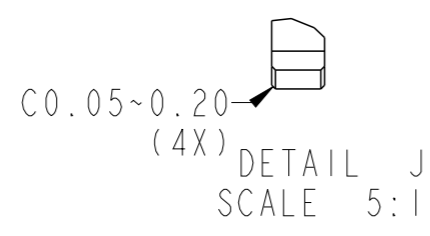
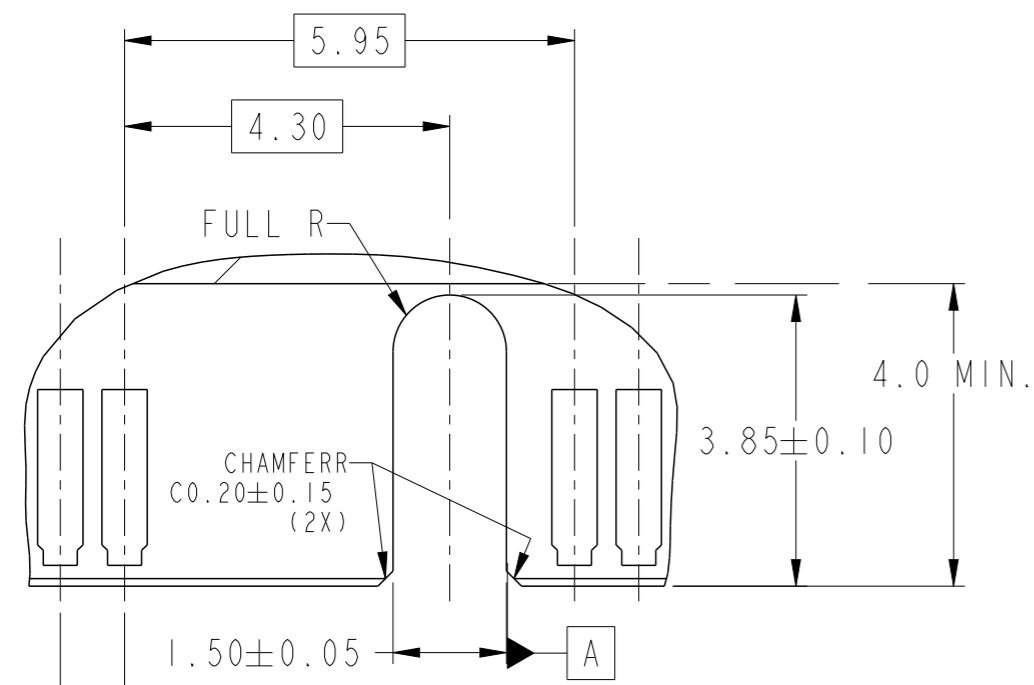
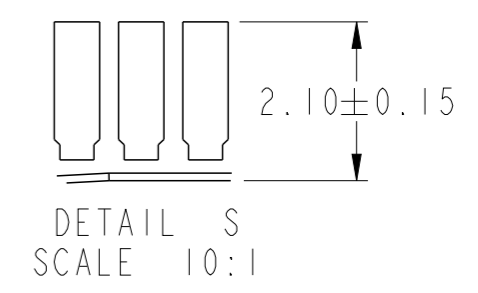
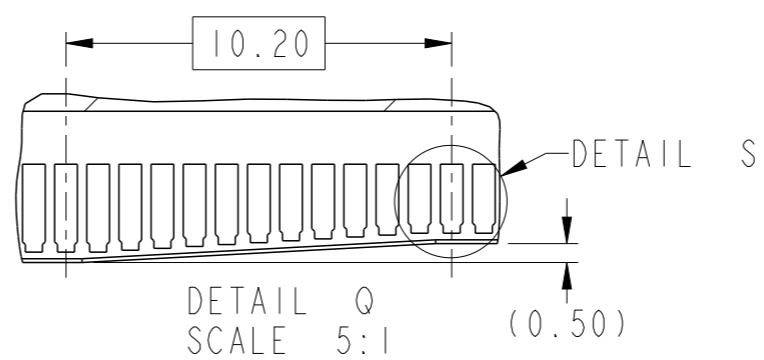
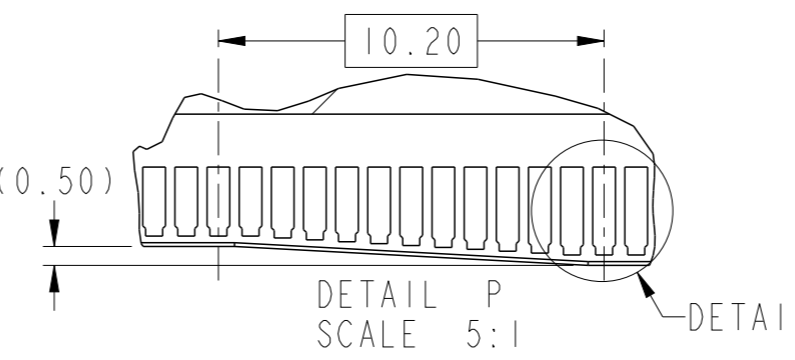
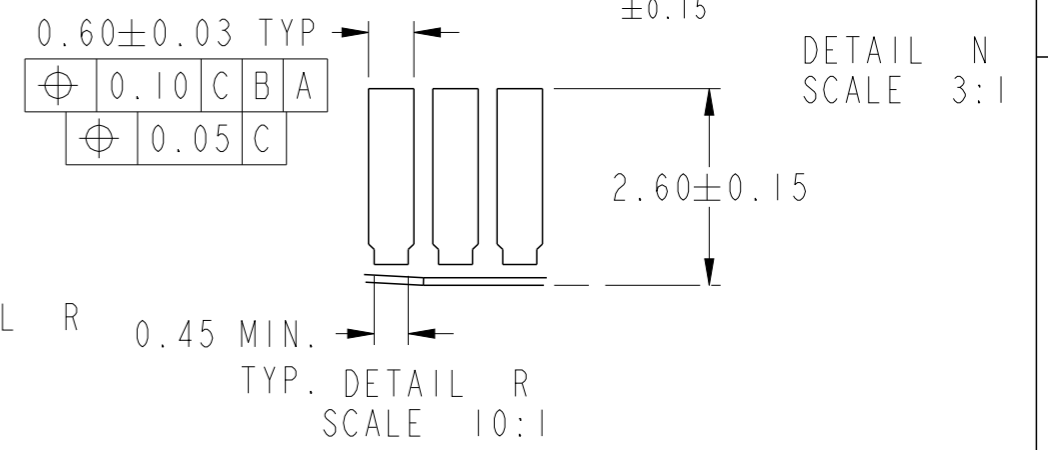
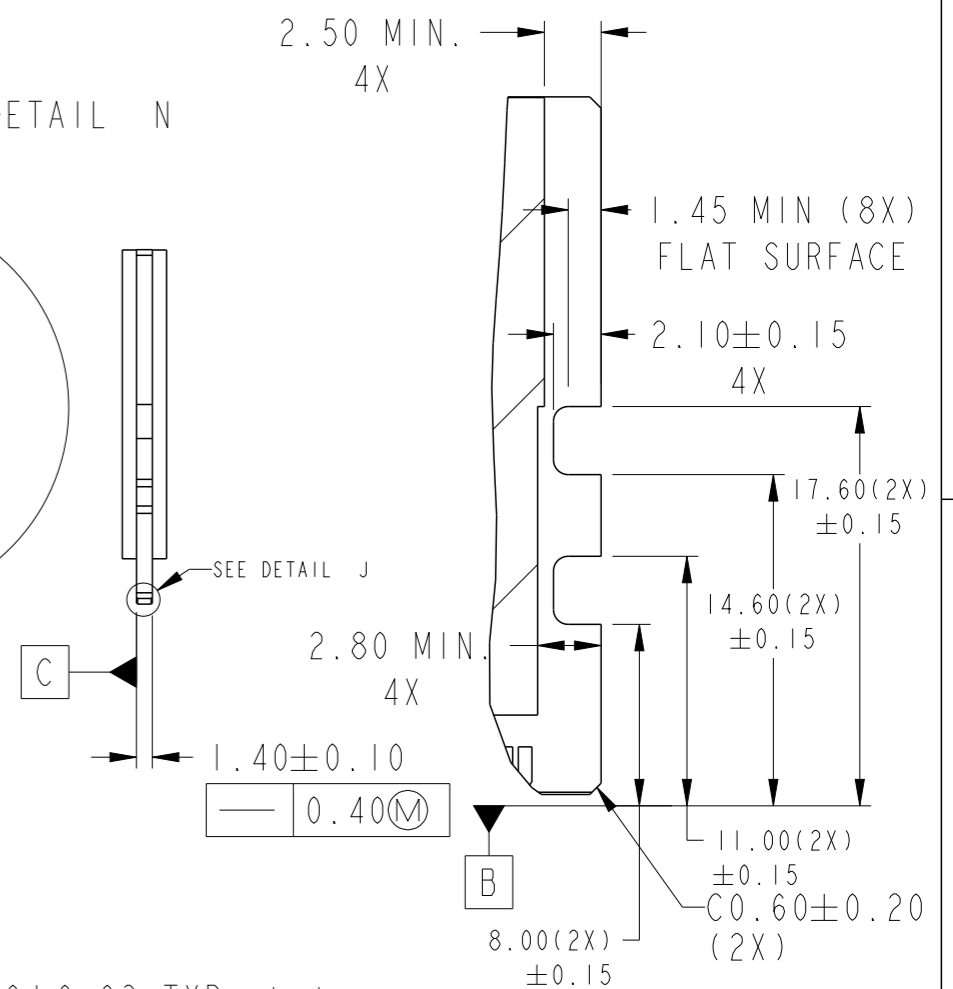
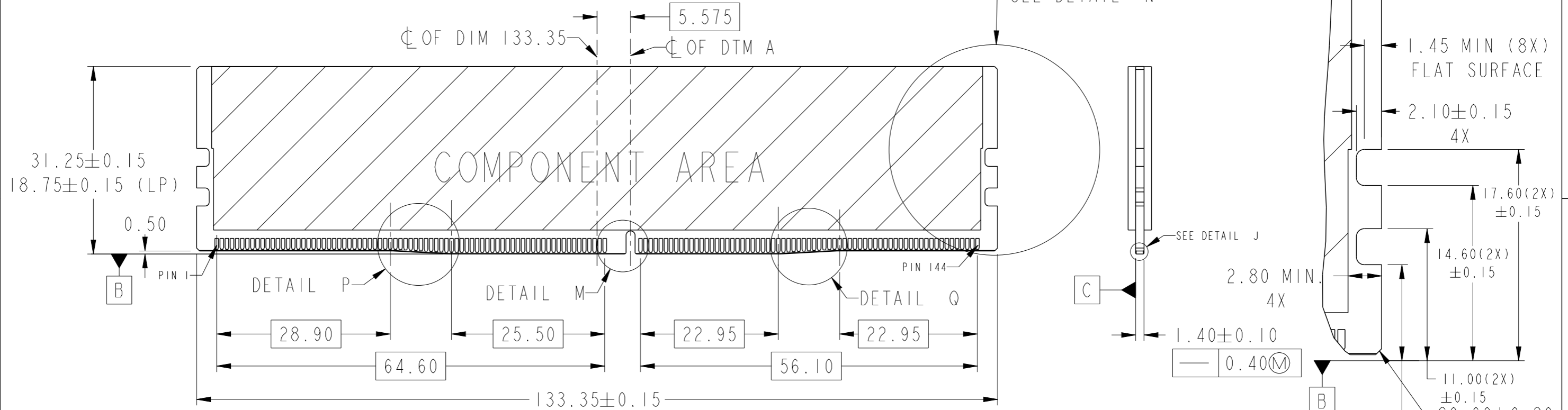
Amphenol  
FCi

© 2016 AFCI



spec ref	dr	Nickor Zuo	2013/05/29	projection	MM	size	A3	scale	7:5
tolerance std	eng	Jeny Ren	2017/03/01			ecn no	ELX-DG-26122-1		
TOLERANCES UNLESS OTHERWISE SPECIFIED						product family	-	rel level	Released
surface	linear	0.X	±0.30	<b>Amphenol FCI</b>		DDR4 288Pin DIMM CONNECTOR PTH TERMINATION		dwg no 10124632	rev J
		0.XX	±0.20						
		0.XXX	±0.10						
ASME Y14.5	angular	0°	±2°	cat. no.	-	Product - Customer Drw		sheet 1 of 5	

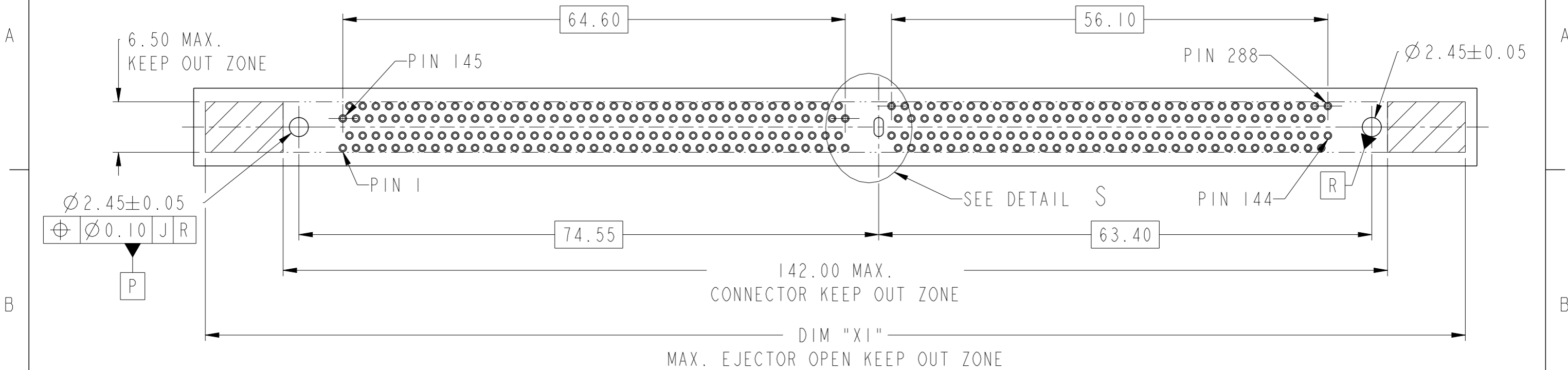
DDR4 MODULE  
 MORE INFORMATION REFER TO JEDEC MO-309



spec ref	dr	Nickor Zuo	2013/05/29	projection	MM	size	A3	scale	3:2		
tolerance std	eng	Jeny Ren	2017/03/01			ecn no	ELX-DG-26122-1	rel level	Released		
TOLERANCES UNLESS OTHERWISE SPECIFIED		chr	-			product family	-				
surface	linear	ASME Y14.5	0.X	$\pm 0.30$	<b>Amphenol FCI</b>	DDR4 288Pin DIMM CONNECTOR		cat. no. - Product - Customer Drw	sheet 2 of 5		
			0.XX	$\pm 0.20$		dwg no	10124632			rev	J
	angular		0°	$\pm 2^\circ$							

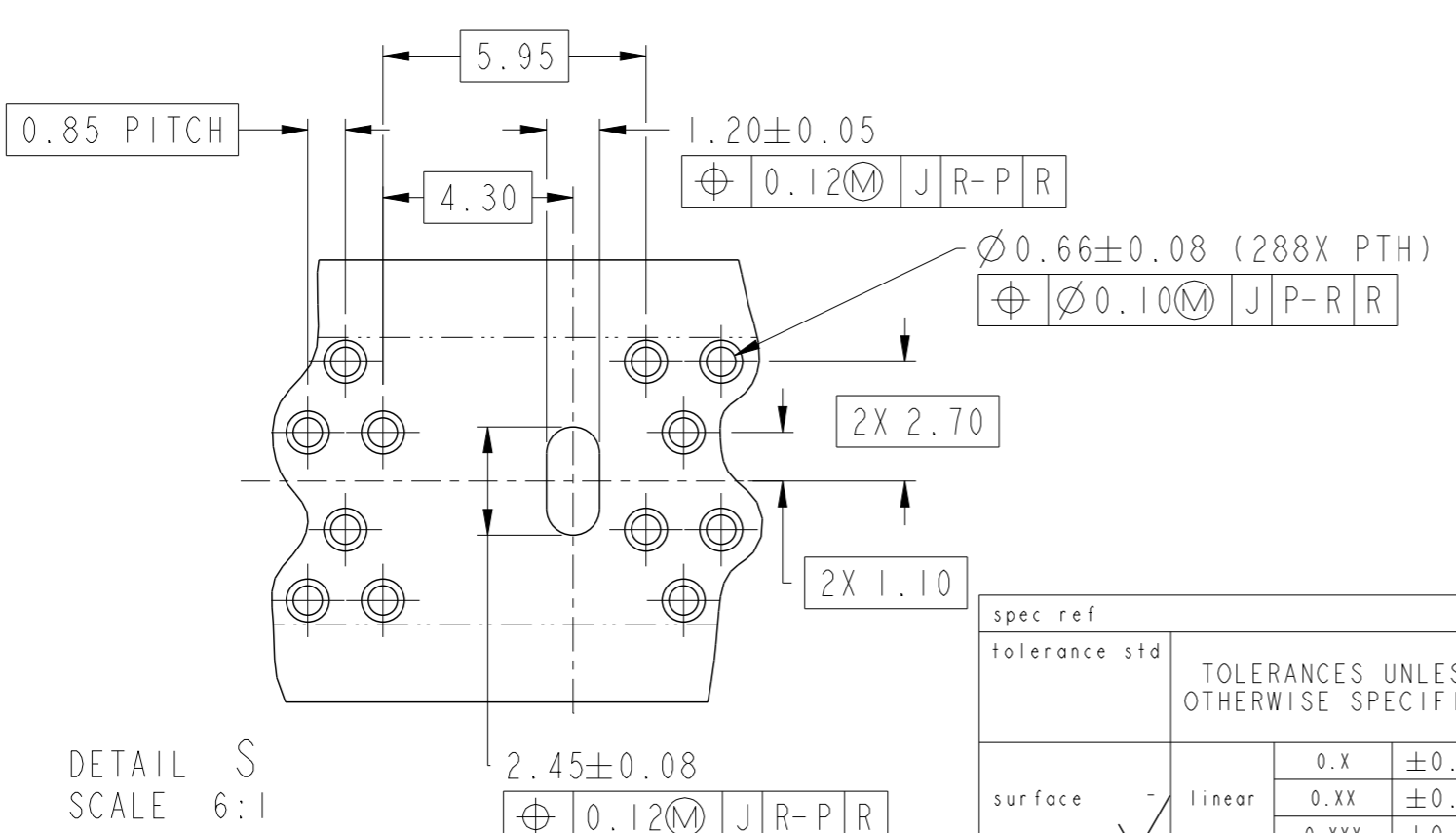
© 2016 AFCI  
 Amphenol FCI

RECOMMENDED PCB LAYOUT  
 MORE INFORMATION REFER TO JEDEC SO-016



Amphenol  
 FCI

© 2016 AFCI



spec ref	dr	Nickor Zuo	2013/05/29	projection	MM	size	A3	scale	2:1
tolerance std	eng	Jeny Ren	2017/03/01			ecn no	ELX-DG-26122-1		
TOLERANCES UNLESS OTHERWISE SPECIFIED		chr	-			product family	-	rel level	Released
surface	linear	ASME Y14.5	0.X ±0.30	Amphenol FCI		cat. no.	-	Product - Customer Drw	sheet 3 of 5
	angular		0° ±2°	DDR4 288Pin DIMM CONNECTOR		dwg no	10124632	rev	J
				PTH TERMINATION					

# PRODUCT PART NUMBER

10124632-□□□□□□□□

## ADDITIONAL REQUIREMENTS

- 0: RoHS COMPLIANT, SOFT TRAY PACKAGE (56PCS/TRAY)
- 2: RoHS COMPLIANT, HARD TRAY PACKAGE
- 4: RoHS COMPLIANT, SOFT TRAY PACKAGE (40PCS/TRAY)

## HOLD DOWNS CONFIGURATIONS

- 0: 3 FORKLOCKS, DIM "Y" = 4.00 ± 0.25
- 1: 3 FORKLOCKS, DIM "Y" = 2.50 ± 0.25
- 2 OR 3: 3 FORKLOCKS, DIM "Y" = 3.78 ± 0.25

## DIM "L", TAIL LENGTH

- 0: 2.60 ± 0.25
- 1: 3.20 ± 0.25
- 3: 2.40 ± 0.25
- 4: 2.10 + 0.25 / - 0.15
- 5: 2.95 ± 0.25
- 6: 2.80 ± 0.15

## HOUSING COLOR

- 0: NATURAL
- 1: BLACK
- 2: BLUE
- 3: YELLOW

## EJECTOR TYPE

## TAIL PLATING

LF: 100u" MIN. MATTE TIN  
TL: 100u" MIN. TIN LEAD

## CONTACT AREA PLATING

CODE	CONTACT AREA	UNDERPLATING
1	15u" MIN. GOLD	50u" MIN. NICKEL
3	30u" MIN. GOLD	
4	30u" MIN. GXT	
5	15u" MIN. GXT	90u" MIN. NICKEL
6	30u" MIN. GOLD	
7	15u" MIN. GOLD	
G	GOLD FLASH	

## CONTACTS LUBRICATION

- 0: WITHOUT
- 1: WITH

CODE	COLOR	DIM "X1"	DIM "X2"	DIM "W"	DIM "X3"	EJECTOR FIGURE
0	NATURAL	162.00	149.00	(6.42)	(19.95)	
1	BLACK					
2	BLUE					
A	GREEN	152.00	142.00	(6.42)	(19.35)	
3	NATURAL					
4	BLACK					
5	BLUE	152.00	142.00	(6.42)	(19.35)	
9	GREEN					
B	NATURAL					
C	BLACK	152.00	142.00	(6.42)	(19.35)	
G	GREEN					

CODE	COLOR	DIM "X1"	DIM "X2"	DIM "W"	DIM "X3"	EJECTOR FIGURE
R	NATURAL	156.00	145.00	(6.42)	(19.65)	
S	BLACK					
T	GREEN					
V	BLUE					
6	NATURAL	157.00	145.00	(4.00)	(19.65)	
7	BLACK					
8	BLUE					
J	NATURAL	155.00	145.00	(6.42)	(19.65)	
K	BLACK					
M	GREEN					
U	BLUE					

spec ref	dr	Nickor Zuo	2013/05/29	projection	MM	size	A3	scale	4:1		
tolerance std	eng	Jeny Ren	2017/03/01		← →	ecn no	ELX-DG-26122-1				
TOLERANCES UNLESS OTHERWISE SPECIFIED						product family	-	rel level	Released		
surface	linear	0.X	±0.30	Amphenol FCI		DDR4 288Pin DIMM CONNECTOR		dwg no	10124632	rev	J
		0.XX	±0.20								
		0.XXX	±0.10								
ASME Y14.5	angular	0°	±2°	cat. no.	-	Product - Customer Drw		sheet 4 of 5			

# PRODUCT PART NUMBER

10124632-□□□□□□□□

## ADDITIONAL REQUIREMENTS

- 1: HALOGEN FREE COMPLIANT, SOFT TRAY PACKAGE
- 3: HALOGEN FREE COMPLIANT, HARD TRAY PACKAGE

## HOLD DOWNS CONFIGURATIONS

- 0: 3 FORKLOCKS, DIM "Y" = 4.00 ± 0.25
- 1: 3 FORKLOCKS, DIM "Y" = 2.50 ± 0.25
- 2: 3 FORKLOCKS, DIM "Y" = 3.78 ± 0.25

## DIM "L", TAIL LENGTH

- 0: 2.60 ± 0.25
- 1: 3.20 ± 0.25
- 3: 2.40 ± 0.25
- 4: 2.10 + 0.25 / - 0.15
- 5: 2.95 ± 0.25
- 6: 2.80 ± 0.15

## HOUSING COLOR

- 0: NATURAL
- 1: BLACK
- 3: YELLOW

## EJECTOR TYPE

CODE	COLOR	DIM "X1"	DIM "X2"	DIM "W"	DIM "X3"	EJECTOR FIGURE
0	NATURAL	162.00	149.00	(6.42)	(19.95)	
1	BLACK					
3	NATURAL	152.00	142.00	(6.42)	(19.35)	
4	BLACK					

## TAIL PLATING

- LF: 100u" MIN. MATTE TIN
- TL: 100u" MIN. TIN LEAD

## CONTACT AREA PLATING

CODE	CONTACT AREA	UNDERPLATING
1	15u" MIN. GOLD	50u" MIN. NICKEL
3	30u" MIN. GOLD	
4	30u" MIN. GXT	
5	15u" MIN. GXT	90u" MIN. NICKEL
6	30u" MIN. GOLD	
7	15u" MIN. GOLD	
G	GOLD FLASH	

## CONTACTS LUBRICATION

- 0: WITHOUT
- 1: WITH

## NOTES:

- MATERIALS:  
HOUSING: HIGH PERFORMANCE RESINS, GLASS FIBER FILLED, UL94 V-0 RATED.  
EJECTOR: HIGH PERFORMANCE RESINS, GLASS FIBER FILLED, UL94 V-0 RATED.  
TERMINAL: COPPER ALLOY  
FORKLOCK: COPPER ALLOY
- DATE CODE "MMDDYYL", MMDDYY IS ASSEMBLY DATE, L IS FCI PRODUCTION LINE.
- SPECIFICATION:  
PRODUCTION SPECIFICATION: FCI GS-12-1092.  
PACKAGE SPECIFICATION: FCI GS-14-2267.  
APPLICATION SPECIFICATION: FCI GS-20-0353.
- LEAD FREE PRODUCT MEETS EUROPEAN UNION DIRECTIVES AND OTHER COUNTRY REGULATIONS AS DESCRIBED IN FCI GS-22-008.
- THIS PRODUCT WILL WITHSTAND EXPOSURE TO 260°C PEAK TEMPERATURE FOR 10 SECONDS IN WAVE SOLDERING APPLICATION.

spec ref	dr	Nickor Zuo	2013/05/29	projection	MM	size	A3	scale	4:1		
tolerance std	eng	Jeny Ren	2017/03/01		← →	ecn no	ELX-DG-26122-1				
TOLERANCES UNLESS OTHERWISE SPECIFIED						product family	-	rel level	Released		
surface	linear	0.X	±0.30	Amphenol FCI	DDR4 288Pin DIMM CONNECTOR	dwg no	10124632	cat. no.	-	Product - Customer Drw	sheet 5 of 5
		0.XX	±0.20								
ASME Y14.5	angular	0°	±2°								

# Mouser Electronics

Authorized Distributor

Click to View Pricing, Inventory, Delivery & Lifecycle Information:

## [FCI / Amphenol:](#)

<u><a href="#">10124632-1131003LF</a></u>	<u><a href="#">10124632-1011003LF</a></u>	<u><a href="#">10124632-1131001LF</a></u>	<u><a href="#">10124632-1201001LF</a></u>	<u><a href="#">10124632-1201003LF</a></u>
<u><a href="#">10124632-1000013LF</a></u>	<u><a href="#">10124632-1050013LF</a></u>	<u><a href="#">10124632-1051113LF</a></u>	<u><a href="#">10124632-1001113LF</a></u>	<u><a href="#">10124632-1011301LF</a></u>
<u><a href="#">10124632-1011001LF</a></u>	<u><a href="#">10124632-1241001LF</a></u>	<u><a href="#">10124632-1240001LF</a></u>	<u><a href="#">10124632-1151411LF</a></u>	<u><a href="#">10124632-1031103LF</a></u>
<u><a href="#">10124632-3000011LF</a></u>	<u><a href="#">10124632-3001107LF</a></u>	<u><a href="#">10124632-1031003LF</a></u>	<u><a href="#">10124632-1150311LF</a></u>	<u><a href="#">10124632-3000007LF</a></u>
<u><a href="#">10124632-1030013LF</a></u>	<u><a href="#">10124632-3001111LF</a></u>	<u><a href="#">10124632-1041001LF</a></u>	<u><a href="#">10124632-3033016LF</a></u>	<u><a href="#">10124632-3031016LF</a></u>
<u><a href="#">10124632-1243001LF</a></u>	<u><a href="#">10124632-1141411LF</a></u>	<u><a href="#">10124632-3061001LF</a></u>	<u><a href="#">10124632-1213001LF</a></u>	<u><a href="#">10124632-3243001LF</a></u>
<u><a href="#">10124632-1250311LF</a></u>	<u><a href="#">10124632-3063001LF</a></u>	<u><a href="#">10124632-1203001LF</a></u>	<u><a href="#">10124632-1140311LF</a></u>	<u><a href="#">10124632-3031103LF</a></u>
<u><a href="#">10124632-1241101LF</a></u>	<u><a href="#">10124632-1211001LF</a></u>	<u><a href="#">10124632-1251411LF</a></u>	<u><a href="#">10124632-3031003LF</a></u>	<u><a href="#">10124632-3041101LF</a></u>
<u><a href="#">10124632-1001107LF</a></u>	<u><a href="#">10124632-1030007LF</a></u>	<u><a href="#">10124632-1031107LF</a></u>	<u><a href="#">10124632-1000007LF</a></u>	<u><a href="#">10124632-1050001LF</a></u>
<u><a href="#">10124632-1051101LF</a></u>	<u><a href="#">10124632-1051006LF</a></u>			