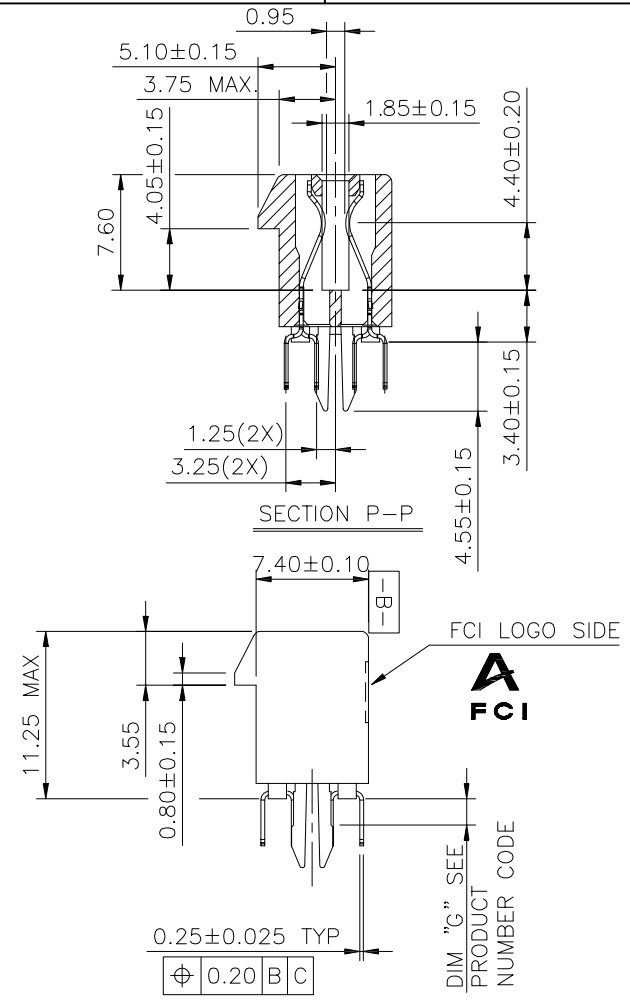
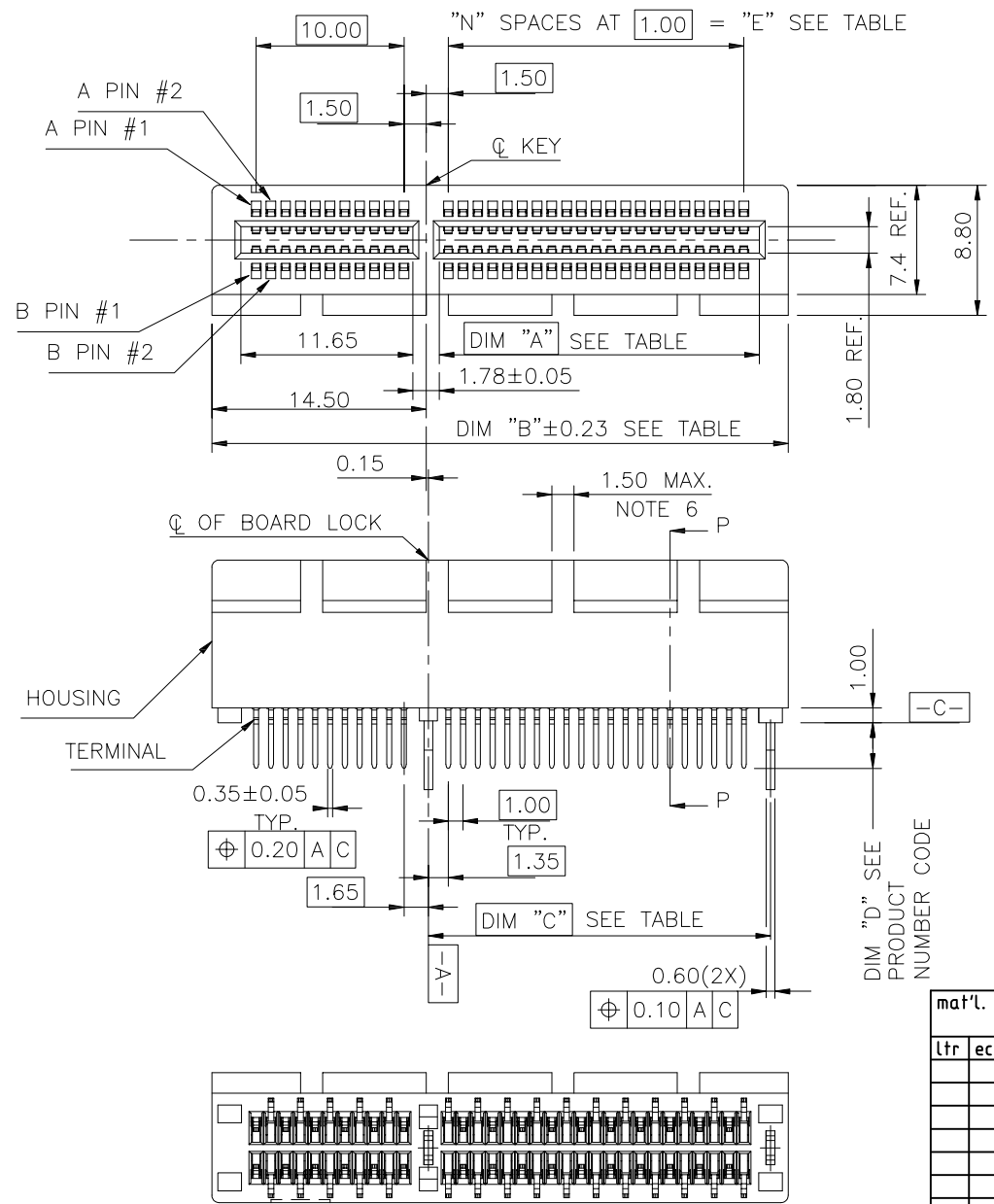
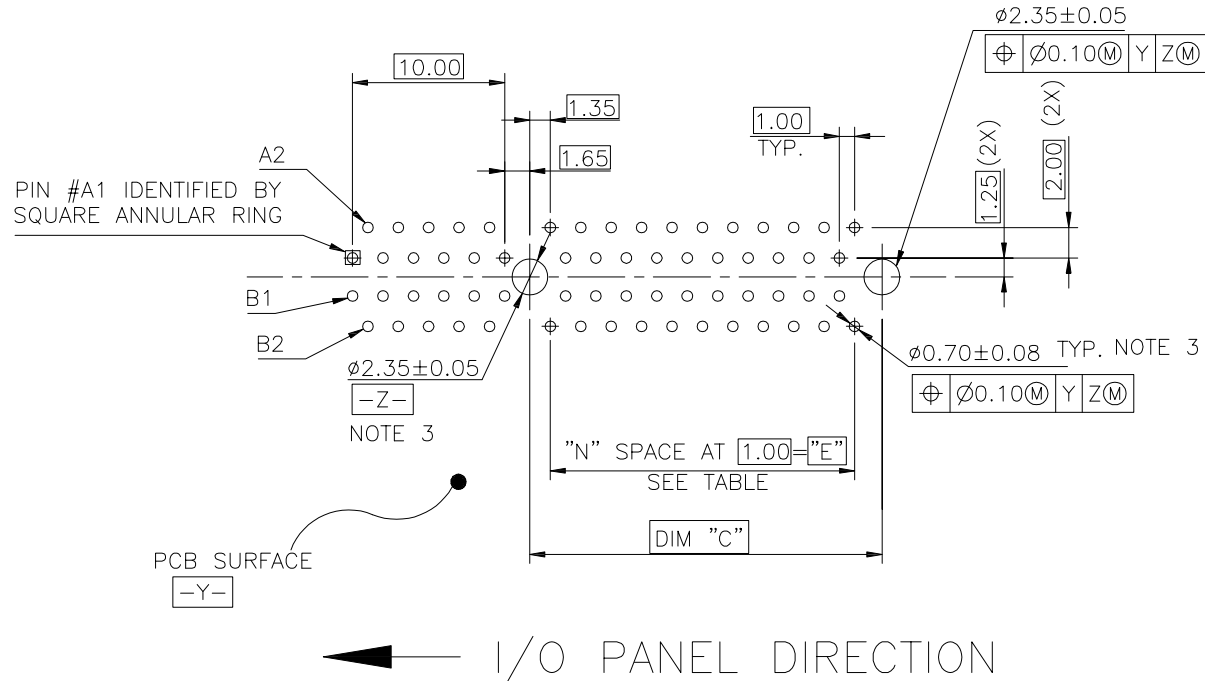


mat'l. code		surface		tolerance		projection		product family	
-		-		ASME_Y14.5				PCI_EXPRESS	
ltr		ecn no		dr		date		title	
M	05-0124	M	W	06/07/05	tolerances unless otherwise specified		MM		PCI_EXPRESS_CARD_EDGE_GEN3
N	05-0153	M	W	07/12/05	angles	.02 ± 0.30		TH_ASS'Y	
P	05-0208	M	W	09/15/05	LineG1	.00 ± 0.20		sheet 1 of 6	
R	06-0206	R	C	12/01/06	±2'	.000 ± 0.10		size	
S	ELX-DG-2161-1	S	T	05/27/15	dr	WINSTON_ZHU	20-10-12	10018784	
T	ELX-DG-38297	ZH		20/09/17	engr	ZHENHUA_LIU	20-10-12	A4	
						appd		HEAVEN_CEN 20-10-12	
sheet index		revision sheet		T		Amphenol FCI		type	
								CUSTOMER Drawing	



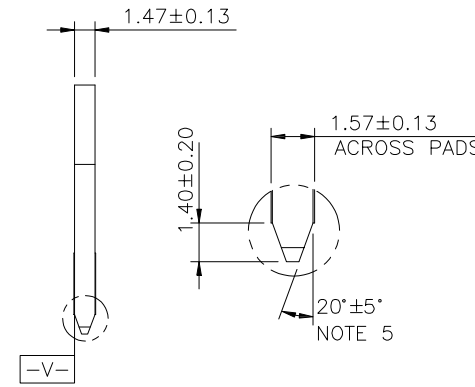
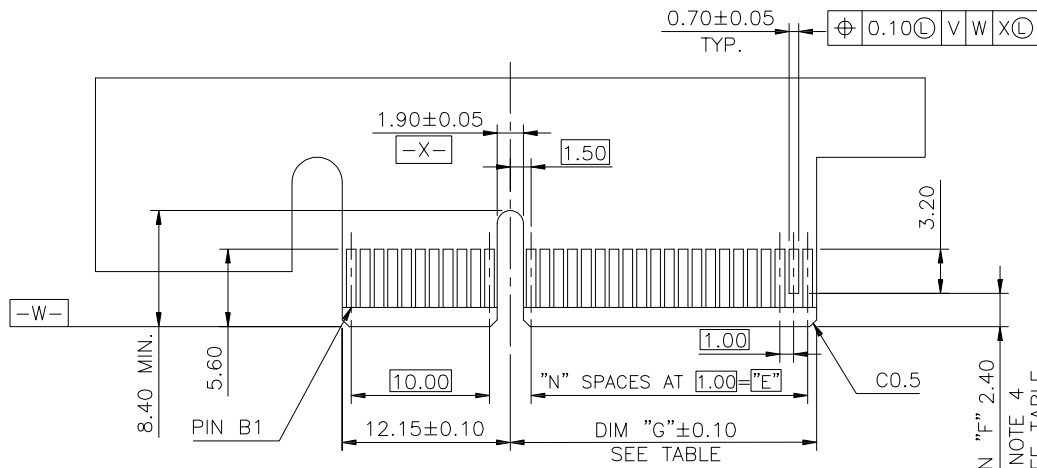
METAL BOARD LOCKS TYPE

mat'l. code		surface		tolerance		projection		product family	
-		-		ASME_Y14.5		MM		PCI_EXPRESS	
ltr		ecn no		dr		date		title	
								PCI_EXPRESS_CARD_EDGE_GEN3	
								TH_ASS'Y	
								sheet 2 of 6	
								size	
								A4	
								type	
								CUSTOMER Drawing	
sheet index		revision sheet		T					



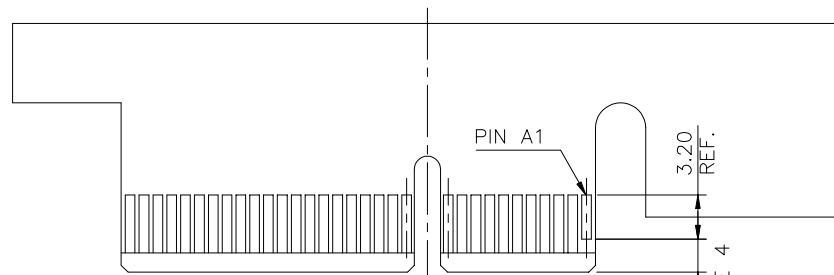
RECOMMENDED FOOTPRINT

mat'l. code		-		surface		- ✓		tolerance		ASME_Y14.5		projection		product family		PCI_EXPRESS	
ltr	ecn no	dr	date	tolerances unless otherwise specified								title		PCI_EXPRESS_CARD_EDGE_GEN3			
				angles	linear	.02±0.30		MM		PCI_EXPRESS_CARD_EDGE_GEN3		TH_ASS'Y		5			
				±2'	linear	.00±0.20		scale N/A		dwg no		sheet 3 of 6		size			
				dr	WINSTON_ZHU	20-10-12		Amphenol FCI		10018784		A4		B			
				engr	ZHENHUA_LIU	20-10-12		type		CUSTOMER Drawing							
				chr													
				appd	HEAVEN_CEN	20-10-12											
sheet index	revision sheet	T															



SCALE 2:1

← I/O PANEL DIRECTION
PRIMARY (COMPONENT) SIDE



I/O PANEL DIRECTION →
SECONDARY (SOLDER) SIDE

ADD-IN CARD EDGE-FINGER DIMENSIONS

#	POS	REF.	N	DIM "G"	"F"
36	6		8.15	B17	
64	20		22.15	B31	
98	37		39.15	B48	
164	70		72.15	B81	

PIN "F" SEE TABLE 2.40±0.10 NOTE 4

mat'l. code		-		surface		- ✓		tolerance		ASME_Y14.5		projection		product family		PCI_EXPRESS	
ltr		ecn no		dr		date		tolerances unless otherwise specified		MM		title		PCI_EXPRESS_CARD_EDGE_GEN3		TH_ASS'Y	
								angles		.0±0.30		scale N/A		dwg no		sheet 4 of 6 size	
								±2'		.00±0.20		Amphenol FCI		10018784		A4	
								dr		WINSTON_ZHU 20-10-12				type		CUSTOMER Drawing	
								engr		ZHENHUA_LIU 20-10-12							
								chr									
								appd		HEAVEN_CEN 20-10-12							
sheet index		revision sheet		T													

NOTES:

1.MATERIAL:

HOUSING: NYLON, GLASS FILLED UL94V-0 RATE, SUITABLE FOR WAVE SOLDERING.

TERMINAL: COPPER ALLOY

PLATING: 50u" NICKEL UNDERPLATE ALL OVER
CONTACT AREA PLATING - SEE PRODUCT NUMBER CODE
SOLDER TAIL: TIN/LEAD (90/10) - SEE PRODUCT NUMBER CODE 100u" MIN. OVER 50u" NICKEL

METAL BOARD LOCKS: COPPER ALLOY
FINISH: 100u" TIN/LEAD (90/10) OVER 50u" NICKEL UNDERPLATE SEE PRODUCT NUMBER CODE

2.PRODUCT SPECIFICATION: GS-12-233

③THE HORIZONTAL AXIS FOR THE HOLE PATTERN IS ESTABLISHED BY A LINE THROUGH THE CENTER OF THE TWO Ø2.35 HOLES. THE VERTICAL AXIS IS 90° TO THE HORIZONTAL AXIS, THROUGH THE CENTER OF DATUM Z.

④NO TIE BAR PERMITTED FROM CARD EDGE TO LEADING EDGE OF PAD FOR PINS A1 AND PIN NUMBERS "F".

⑤CHAMFER EDGES MUST BE FREE OF CUTTING BURRS.

⑥FREQUENCY & LOCATION AT SUPPLIER DISCRETION. RIDGE MAY BE CONTINUOUS WITH NO BREAKS.

7.RoHS COMPATIBLE PRODUCT SPECIFICATIONS

a - PLATING:

- "LF" MEANS THE PRODUCT IS LEAD-FREE, 2um MINIMUM MATTE TIN OVER 1.27um MINIMUM NICKEL UNDERPLATE.

b - MANUFACTURING PROCESS COMPATIBILITY

- THE HOUSING WILL WITHSTAND EXPOSURE TO 260°C±5°C SOLDER BATH TEMPERATURE FOR 5 SECONDS IN A WAVE SOLDER APPLICATION WITH A 1.6mm MIN THICK CIRCUIT BOARD.
- THE HOUSING WILL WITHSTAND EXPOSURE TO 240°C±5°C SOLDER BATH TEMPERATURE FOR 5 SECONDS IN A WAVE SOLDER APPLICATION WITH A 1.6mm MIN THICK CIRCUIT BOARD.(For 10018784-X 0 X X X X(X X) options)

CONNECTOR	# POS	REF.	N	DIM "A"	DIM "B"	DIM "C"	"E"
1 PORT	36		6	7.65	25.00	9.15	6.00
4 PORT	64		20	21.65	39.00	23.15	20.00
8 PORT	98		37	38.65	56.00	40.15	37.00
16 PORT	164		70	71.65	89.00	73.15	70.00

PRODUCT NUMBER CODE
10018784-x x x x x x □ □

HOUSING COLOR OPTIONS

0-WHITE
1-BLACK

PEGS OPTIONS

0-PLASTIC PEGS
1-METAL BOARD LOCKS

LEAD FREE OPTION

LEAVE BLANK FOR TERMINAL PLATING 3,4,5
"LF" FOR TERMINAL PLATING OPTION 0,1,2

POS OPTIONS

0-36
1-64
2-98
3-164

PACKAGING OPTIONS

T-TRAY PACKAGING
M-TRAY PACKAGING & MYLAR TAPE FOR PICK-N-PLACE. SEE FIGURE 1
R-TAPE & REEL PACKAGING (FOR 36, 64, 98P)
A-TAPE & REEL PACKAGING WITH MYLAR (FOR 36, 64, 98P)

TERMINAL PLATING OPTIONS

0-50u" Ni UNDERPLATE
30u" Au CONTACT AREA
100u" TIN TAIL AREA ----- COMPATIBLE RoHS

1-50u" Ni UNDERPLATE
15u" Au CONTACT AREA
100u" TIN TAIL AREA ----- COMPATIBLE RoHS

2-50u" Ni UNDERPLATE
GOLD FLASH CONTACT AREA
100u" TIN TAIL AREA ----- COMPATIBLE RoHS

3-50u" Ni UNDERPLATE
30u" Au CONTACT AREA
100u" TIN/LEAD TAIL AREA ----- INCOMPLIANT RoHS

4-50u" Ni UNDERPLATE
15u" Au CONTACT AREA
100u" TIN/LEAD TAIL AREA ----- INCOMPLIANT RoHS

5-50u" Ni UNDERPLATE
GOLD FLASH CONTACT AREA
100u" TIN/LEAD TAIL AREA ----- INCOMPLIANT RoHS

	DIM "D"	PCB THICKNESS	BOARD LOCKS DIM"G"
0	2.30 ^{+0.25} / _{-0.13}	1.56±0.10	1.70±0.15
1	3.10 ^{+0.25} / _{-0.13}	2.36±0.10	2.50±0.15

mat'l. code		-		surface		- ✓ ASME_Y14.5		tolerance		projection		product family	
lfr		ecn no		dr		date		tolerances unless otherwise specified		MM		PCI_EXPRESS	
								.02±0.30		MM		title	
								.00±0.20		scale N/A		PCI_EXPRESS_CARD_EDGE_GEN3	
								.000±0.10		Amphenol FCI		TH_ASS'Y	
				dr		WINSTON_ZHU 20-10-12				dwg no		sheet 5 of 6 size	
				enfr		ZHENHUA_LIU 20-10-12				10018784		A4	
				chr						type		CUSTOMER Drawing	
				appd		HEAVEN_CEN 20-10-12							
sheet index		revision		T									
		sheet											

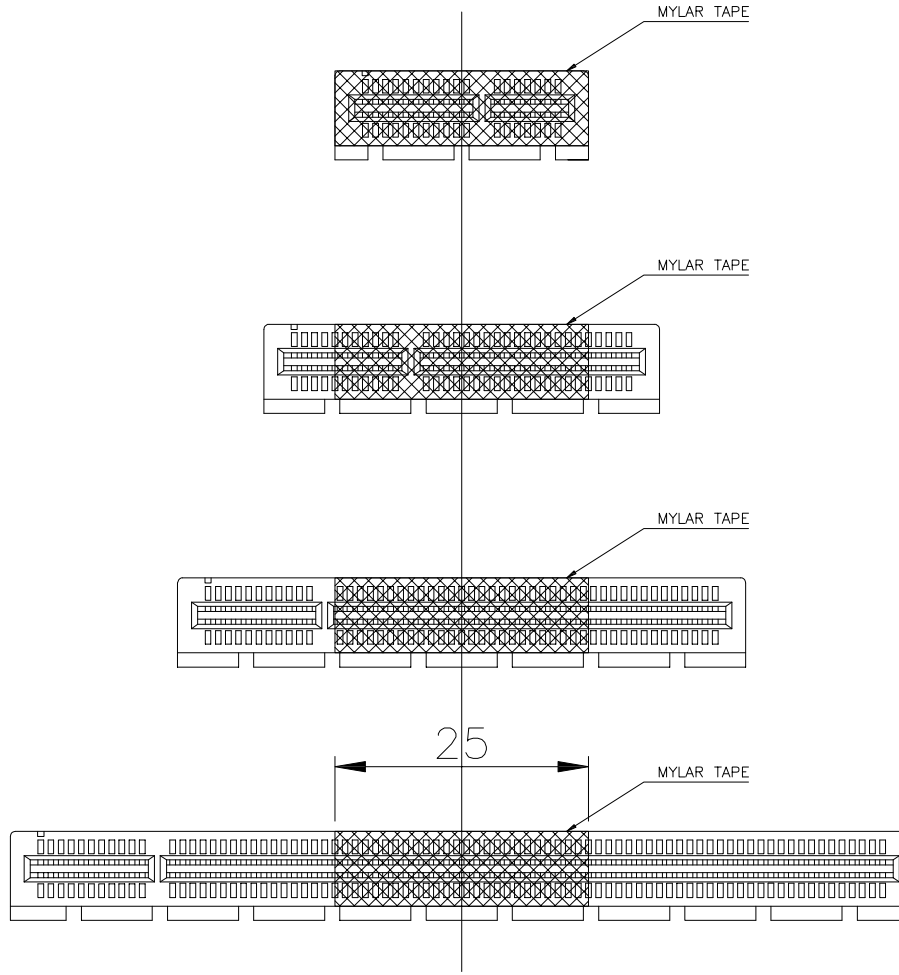


FIGURE 1

mat'l. code		-		surface	-	tolerance	ASME_Y14.5	projection	ASME	product family	PCI_EXPRESS
ltr	ecn no	dr	date	tolerances unless otherwise specified				MM	scale N/A	title	
				angles	±2'	.02±0.30	.00±0.20			PCI_EXPRESS_CARD_EDGE_GEN3 TH_ASS'Y	
						.000±0.10				dwg no	
				dr	WINSTON_ZHU	20-10-12				sheet 6 of 6 size	
				engr	ZHENHUA_LIU	20-10-12		Amphenol FCI	10018784		
				chr					A4		
				appd	HEAVEN_CEN	20-10-12		type		CUSTOMER Drawing	
sheet index	revision sheet	T									

Mouser Electronics

Authorized Distributor

Click to View Pricing, Inventory, Delivery & Lifecycle Information:

[FCI / Amphenol:](#)

[10018784-10103TLF](#) [10018784-10212TLF](#) [10018784-00100TLF](#) [10018784-00101TLF](#) [10018784-00102TLF](#)
[10018784-00103TLF](#) [10018784-00201TLF](#) [10018784-10000TLF](#) [10018784-10001TLF](#) [10018784-10002TLF](#)
[10018784-10003TLF](#) [10018784-10010TLF](#) [10018784-10011TLF](#) [10018784-10012TLF](#) [10018784-10013TLF](#)
[10018784-10100TLF](#) [10018784-10101TLF](#) [10018784-10102TLF](#) [10018784-10110TLF](#) [10018784-10111TLF](#)
[10018784-10112TLF](#) [10018784-10113MLF](#) [10018784-10113TLF](#) [10018784-10200TLF](#) [10018784-10201TLF](#)
[10018784-10202MLF](#) [10018784-10203TLF](#) [10018784-10210TLF](#) [10018784-10211TLF](#) [10018784-10213TLF](#)
[10018784-11000TLF](#) [10018784-11001TLF](#) [10018784-11002TLF](#) [10018784-11003TLF](#) [10018784-11010TLF](#)
[10018784-11011TLF](#) [10018784-11012TLF](#) [10018784-11013TLF](#) [10018784-11100TLF](#) [10018784-11101TLF](#)
[10018784-11102TLF](#) [10018784-11103TLF](#) [10018784-11110TLF](#) [10018784-11111TLF](#) [10018784-11112TLF](#)
[10018784-11113TLF](#) [10018784-11200TLF](#) [10018784-11201TLF](#) [10018784-11202MLF](#) [10018784-11202TLF](#)
[10018784-11203TLF](#) [10018784-11210TLF](#) [10018784-11211TLF](#) [10018784-11212TLF](#) [10018784-11213TLF](#)
[10018784-10202TLF](#) [10018784-00002TLF](#) [10018784-10000MLF](#) [10018784-10001MLF](#) [10018784-10012MLF](#)
[10018784-10013MLF](#) [10018784-01201TLF](#) [10018784-10211MLF](#) [10018784-10203MLF](#) [10018784-10201MLF](#)
[10018784-10201RLF](#) [10018784-10100MLF](#) [10018784-10101MLF](#) [10018784-10102MLF](#) [10018784-10103MLF](#)
[10018784-10003MLF](#) [10018784-10002MLF](#) [10018784-10210MLF](#)