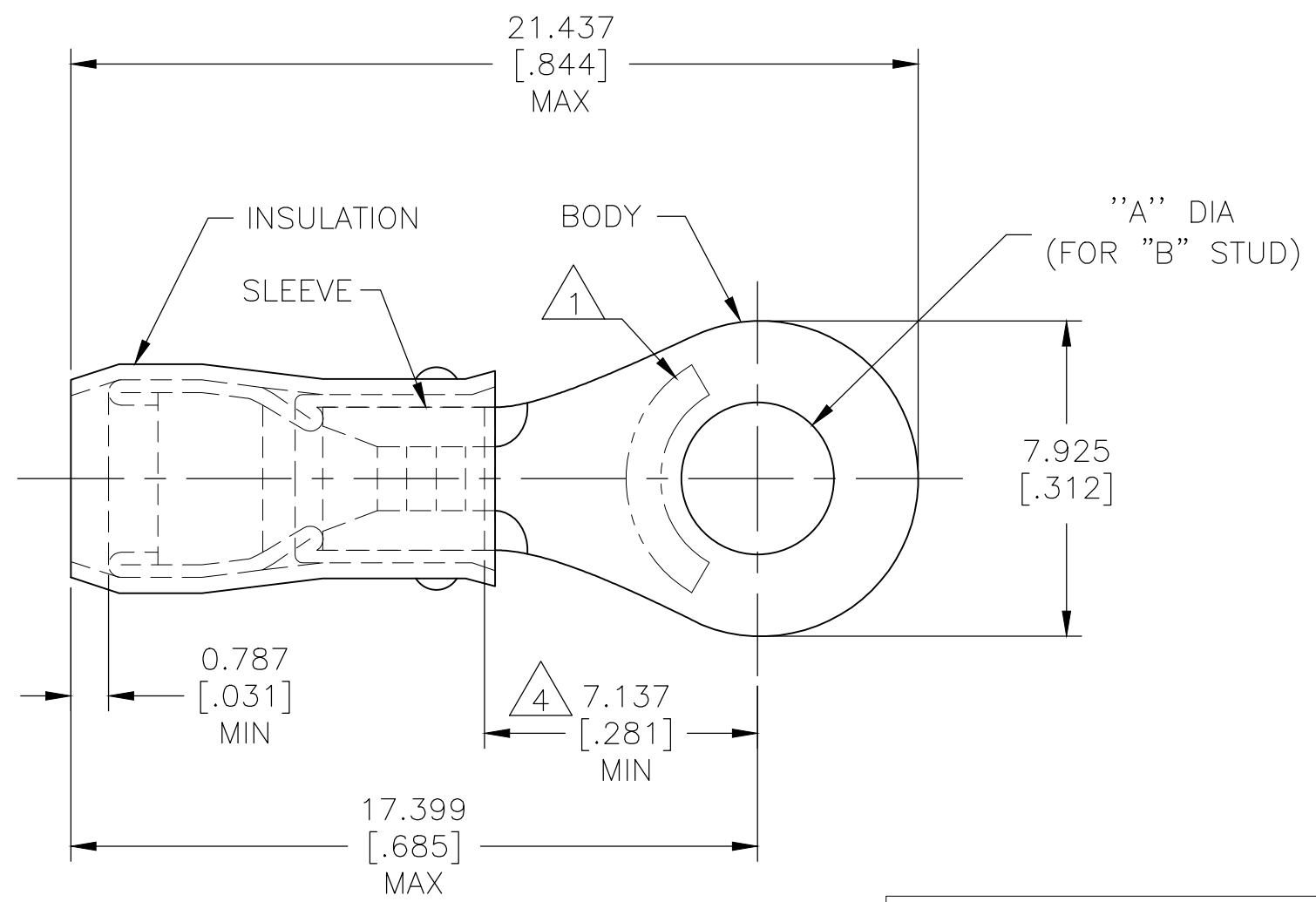


THIS DRAWING IS UNPUBLISHED. RELEASED FOR PUBLICATION  
 © COPYRIGHT - By - ALL RIGHTS RESERVED.

REVISIONS					
P	LTR	DESCRIPTION	DATE	DWN	APVD
AC2		REVISED PER ECO-17-007400	18DEC2017	RS	DR
AC3		REVISED PER ECO-19-007720	21MAY2020	KR	DR



<b>AMP</b> WIRE RANGE	E13288 Listed	LR7189 Certified
16-14 AWG SOLID OR STRANDED	16-14 AWG STRANDED	16-14 AWG SOLID OR STRANDED

- 1 STAMP AMP 16-14\* APPROX AS SHOWN.
- 2 WIRE INSULATION :  $\phi 2.669-3.810[\phi .105-.150]$ .
- 3 BODY MATERIAL THK:  $0.787\pm 0.051[.031\pm .002]$ .
- 4 APPLIES FROM EDGE OF METAL WIRE BARREL TO CENTER OF STUD HOLE
- 5 UL LISTED
- 6 CSA CERTIFIED

	MILITARY P/N AND CLASS	"B"	DIM "A"	QUANTITY	PACKAGE TYPE	PART NO
	-	[#10]	$5.004\pm 0.076[.197\pm .003]$	100	LOOSE PIECE, BOX	5-51864-1
	-	M4[#8]	$4.343\pm 0.076[.171\pm .003]$	100	LOOSE PIECE, BOX	4-51864-1
	-	M3.5[#6]	$3.683\pm 0.076[.145\pm .003]$	100	LOOSE PIECE, BOX	3-51864-1
	MS25036-153 CLASS 2	M4[#8]	$4.343\pm 0.076[.171\pm .003]$	5000	ON TAPE, REEL	51864-5
	MS25036-108 CLASS 2	[#10]	$5.004\pm 0.076[.197\pm .003]$	5000	ON TAPE, REEL	51864-4
	MS25036-107 CLASS 2	M3.5[#6]	$3.683\pm 0.076[.145\pm .003]$	5000	ON TAPE, REEL	51864-3
	MS25036-108 CLASS 1 & 2	[#10]	$5.004\pm 0.076[.197\pm .003]$	1000	LOOSE PIECE	51864-2
	MS25036-153 CLASS 1 & 2	M4[#8]	$4.343\pm 0.076[.171\pm .003]$	1000	LOOSE PIECE	51864-1
	MS25036-107 CLASS 1 & 2	M3.5[#6]	$3.683\pm 0.076[.145\pm .003]$	1000	LOOSE PIECE	51864

**AMP INCORPORATED**  
**CUSTOMER SERVICE SYSTEMS**

FOR ADDITIONAL PRODUCT INFORMATION OR COPIES OF DRAWINGS AND TECHNICAL DOCUMENTS  
 PRODUCT INFORMATION CENTER  
 1-800-522-6752

FOR APPLICATION TOOLING ASSISTANCE CENTER  
 TOOLING INFORMATION  
 1-800-722-1111

FOR ORDER ENTRY  
 1-800-526-5142

MAX RECOMMENDED OPERATING TEMPERATURE:  
 105°C[221°F] MAX

VOLTAGE RATING:  
 300 V MAX

CIRCULAR MIL AREA:  
 1.04-2.62mm<sup>2</sup>[2050-5180] CIR MILS  
 SOLID OR STRANDED

THIS DRAWING IS A CONTROLLED DOCUMENT.

DIMENSIONS:  
 mm [INCHES]

TOLERANCES UNLESS OTHERWISE SPECIFIED:  
 0 PLC ± -  
 1 PLC ± -  
 2 PLC ± -  
 3 PLC ± 0.127[.005]  
 4 PLC ± -  
 ANGLES ± -

MATERIAL  
 BODY & SLEEVE:  
 COPPER PER ASTM B-152  
 INSULATION: NYLON

FINISH  
 BODY & SLEEVE:  
 TIN PLATE PER ASTM B545  
 INSULATION: COLOR-BLUE

DWN JR RUTH 27OCT99  
 CHK RE HERSEY 27OCT99  
 APVD C PRESNELL 27OCT99  
 PRODUCT SPEC  
 UL 486 A-B   
 APPLICATION SPEC  
 114-2157  
 WEIGHT -

**STE** TE Connectivity

NAME  
 TERMINAL, RING TONGUE, PIDG,<sup>TM</sup>  
 WIRE SIZE, 16-14 AWG

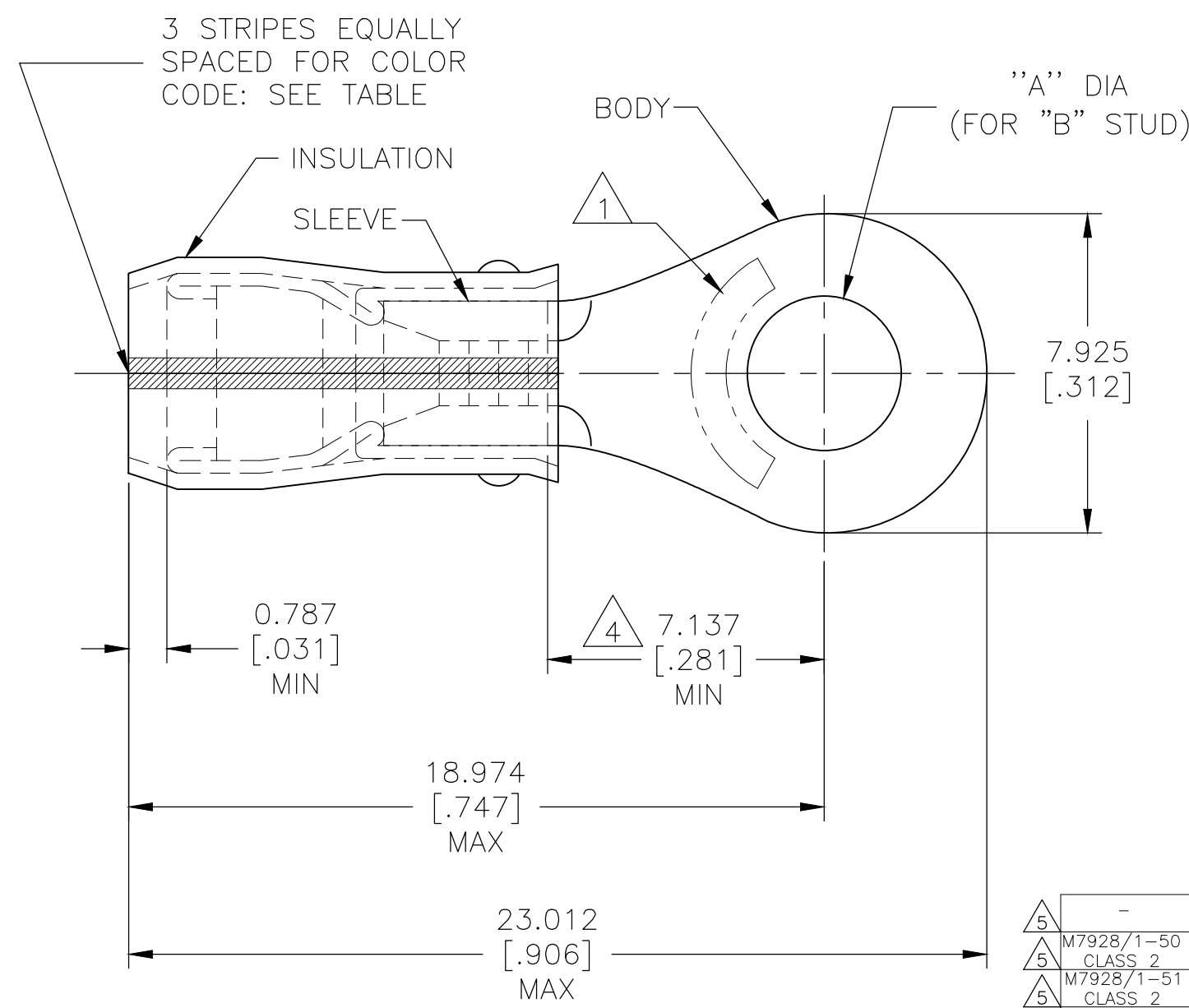
SIZE A3 CAGE CODE 00779 DRAWING NO C-51864 RESTRICTED TO -

SCALE NTS SHEET 1 OF 2 REV AC3

THIS DRAWING IS UNPUBLISHED. RELEASED FOR PUBLICATION  
 © COPYRIGHT - By - ALL RIGHTS RESERVED.

REVISIONS				
P	LTR	DESCRIPTION	DATE	APVD
-	-	SEE SHEET 1	-	-

AMP WIRE RANGE	LR 7189 Certified
SEE TABLE STRANDED	WIRE SIZE PER TABLE STRANDED



- 1 STAMP AMP [ ] APPROX AS SHOWN SEE TABLE BELOW.
- 2 WIRE INSULATION :  $\phi 1.600-3.302[\phi .063-.130]$  FOR 16 AWG,  $\phi 1.981-3.302[\phi .078-.130]$  FOR 14 AWG.
- 3 BODY MATERIAL THK:  $0.787 \pm 0.051[.031 \pm .002]$ .
- 4 APPLIES FROM EDGE OF METAL WIRE BARREL TO CENTER OF STUD HOLE
- 5 CSA CERTIFIED

MILITARY P/N AND CLASS	STRIPE COLOR	STAMPING	WIRE SIZE	"B"	DIM "A"	QUANTITY	PACKAGE TYPE	PART NO
-	BLUE	16*	16	M3.5[#6]	$3.683 \pm 0.076[.145 \pm .003]$	100	LOOSE PIECE, BOX	6-51864-1
M7928/1-50 CLASS 2	GREEN	14*	14	M4[#8]	$4.343 \pm 0.076[.171 \pm .003]$	5000	ON TAPE, REEL	1-51864-7
M7928/1-51 CLASS 2	GREEN	14*	14	[#10]	$5.004 \pm 0.076[.197 \pm .003]$	5000	ON TAPE, REEL	1-51864-5
M7928/1-42 CLASS 2	BLUE	16*	16	[#10]	$5.004 \pm 0.076[.197 \pm .003]$	5000	ON TAPE, REEL	1-51864-3
M7928/1-50 CLASS 1 & 2	GREEN	14*	14	M4[#8]	$4.343 \pm 0.076[.171 \pm .003]$	1000	LOOSE PIECE	1-51864-1
M7928/1-41 CLASS 1 & 2	BLUE	16*	16	M4[#8]	$4.343 \pm 0.076[.171 \pm .003]$	1000	LOOSE PIECE	1-51864-0
M7928/1-51 CLASS 1 & 2	GREEN	14*	14	[#10]	$5.004 \pm 0.076[.197 \pm .003]$	1000	LOOSE PIECE	51864-9
M7928/1-49 CLASS 1 & 2	GREEN	14*	14	M3.5[#6]	$3.683 \pm 0.076[.145 \pm .003]$	1000	LOOSE PIECE	51864-8
M7928/1-42 CLASS 1 & 2	BLUE	16*	16	[#10]	$5.004 \pm 0.076[.197 \pm .003]$	1000	LOOSE PIECE	51864-7
M7928/1-40 CLASS 1 & 2	BLUE	16*	16	M3.5[#6]	$3.683 \pm 0.076[.145 \pm .003]$	1000	LOOSE PIECE	51864-6

**AMP INCORPORATED**  
**CUSTOMER SERVICE SYSTEMS**

FOR ADDITIONAL PRODUCT INFORMATION OR COPIES OF DRAWINGS AND TECHNICAL DOCUMENTS  
 PRODUCT INFORMATION CENTER  
 1-800-522-6752

FOR APPLICATION TOOLING INFORMATION  
 TOOLING ASSISTANCE CENTER  
 1-800-722-1111

FOR ORDER ENTRY  
 1-800-526-5142

MAX RECOMMENDED OPERATING TEMPERATURE:  $105^{\circ}\text{C}[221^{\circ}\text{F}]$  MAX

VOLTAGE RATING: 300 V MAX

WIRE RANGE: 16, 14  
 CIRC MIL AREA:  $1.42\text{mm}^2[2800]$ ,  $2.15\text{mm}^2[4234]$

STRANDED

THIS DRAWING IS A CONTROLLED DOCUMENT.

DIMENSIONS: mm [INCHES]

TOLERANCES UNLESS OTHERWISE SPECIFIED:  
 0 PLC  $\pm -$   
 1 PLC  $\pm -$   
 2 PLC  $\pm -$   
 3 PLC  $\pm 0.127[.005]$   
 4 PLC ANGLES  $\pm -$

MATERIAL: BODY & SLEEVE: COPPER PER ASTM B-152 INSULATION: NYLON  
 FINISH: BODY & SLEEVE: TIN PLATE PER ASTM B545 INSULATION: COLOR-BLUE

DWN JR RUTH 270CT99  
 CHK RE HERSEY 270CT99  
 APVD C PRESNELL 270CT99

**STE** TE Connectivity

NAME: TERMINAL, RING TONGUE, I.R., PIDG™, WIRE SIZE, 16 & 14 AWG

PRODUCT SPEC: -  
 APPLICATION SPEC: 114-2157

SIZE: A3 CAGE CODE: 00779 DRAWING NO: C-51864 RESTRICTED TO: -

WEIGHT: -

CUSTOMER DRAWING SCALE: NTS SHEET: 2 OF 2 REV: AC3

# Mouser Electronics

Authorized Distributor

Click to View Pricing, Inventory, Delivery & Lifecycle Information:

[TE Connectivity:](#)

[1-51864-3](#)