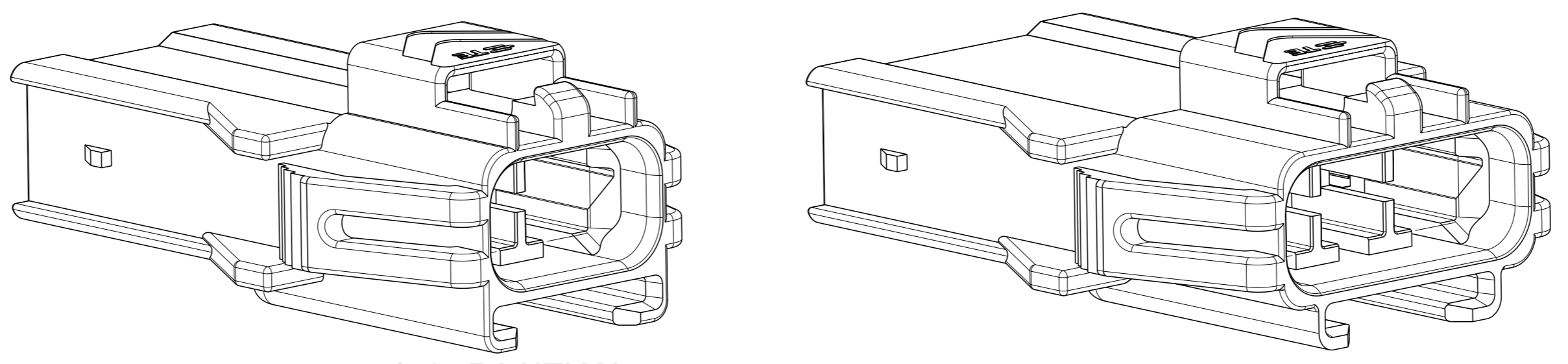
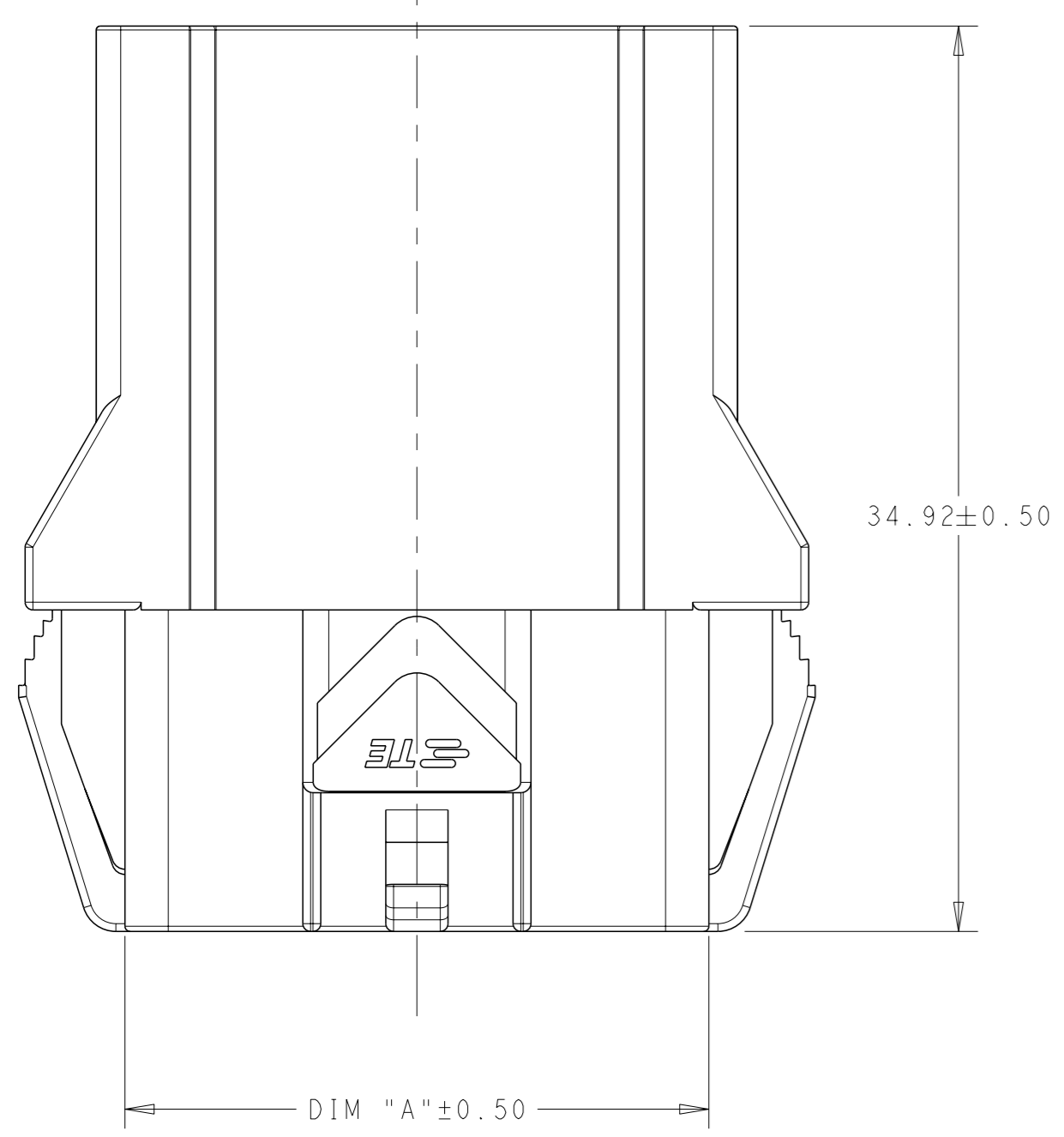
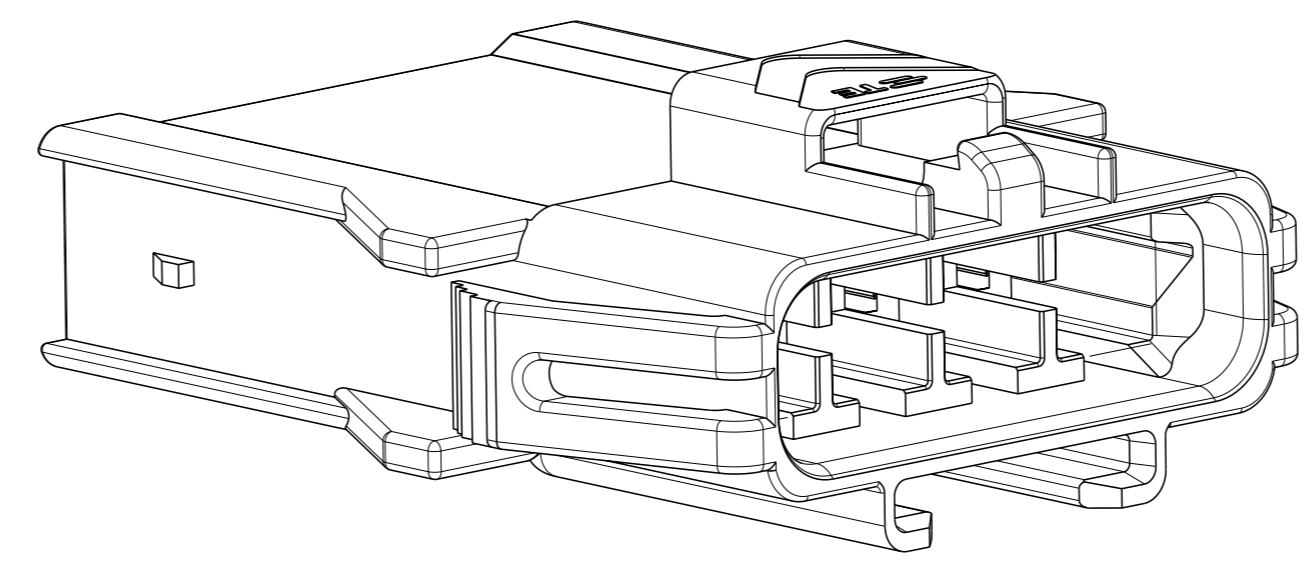


REVISIONS				
P	LT#	DESCRIPTION	DATE	OWN APVD
A		RELEASED PER ECN-20-100548	30OCT2020	JP VS



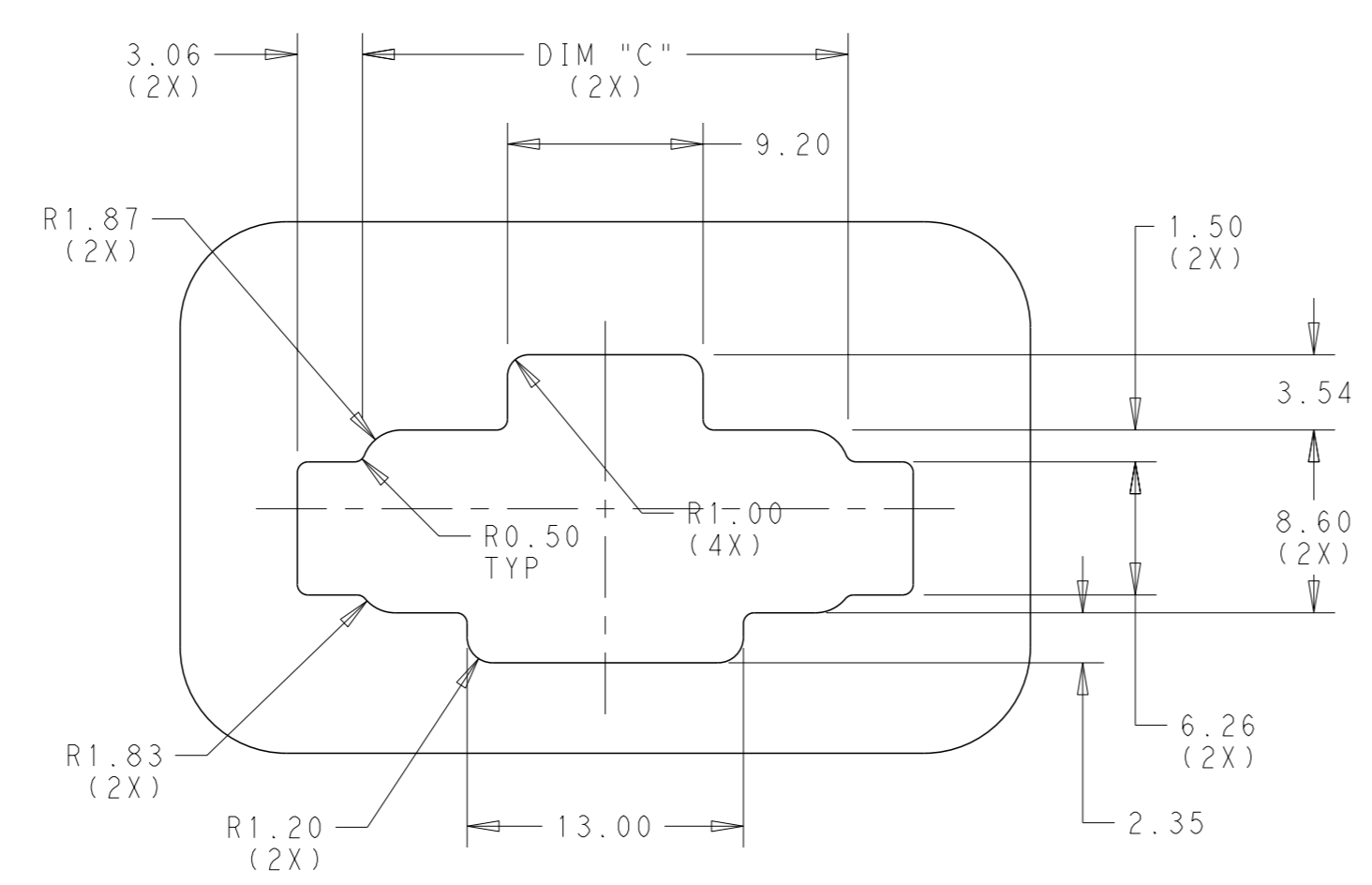
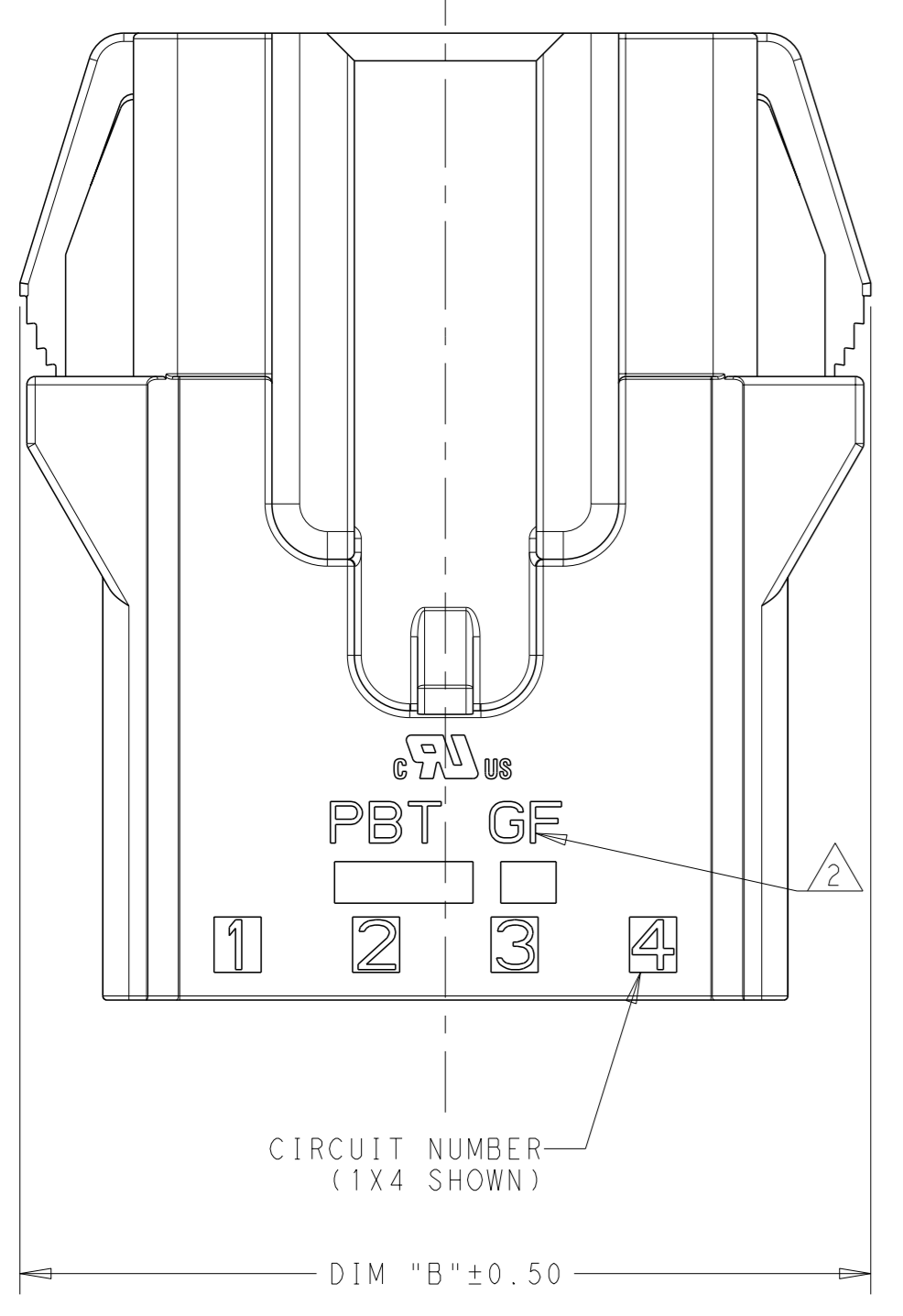
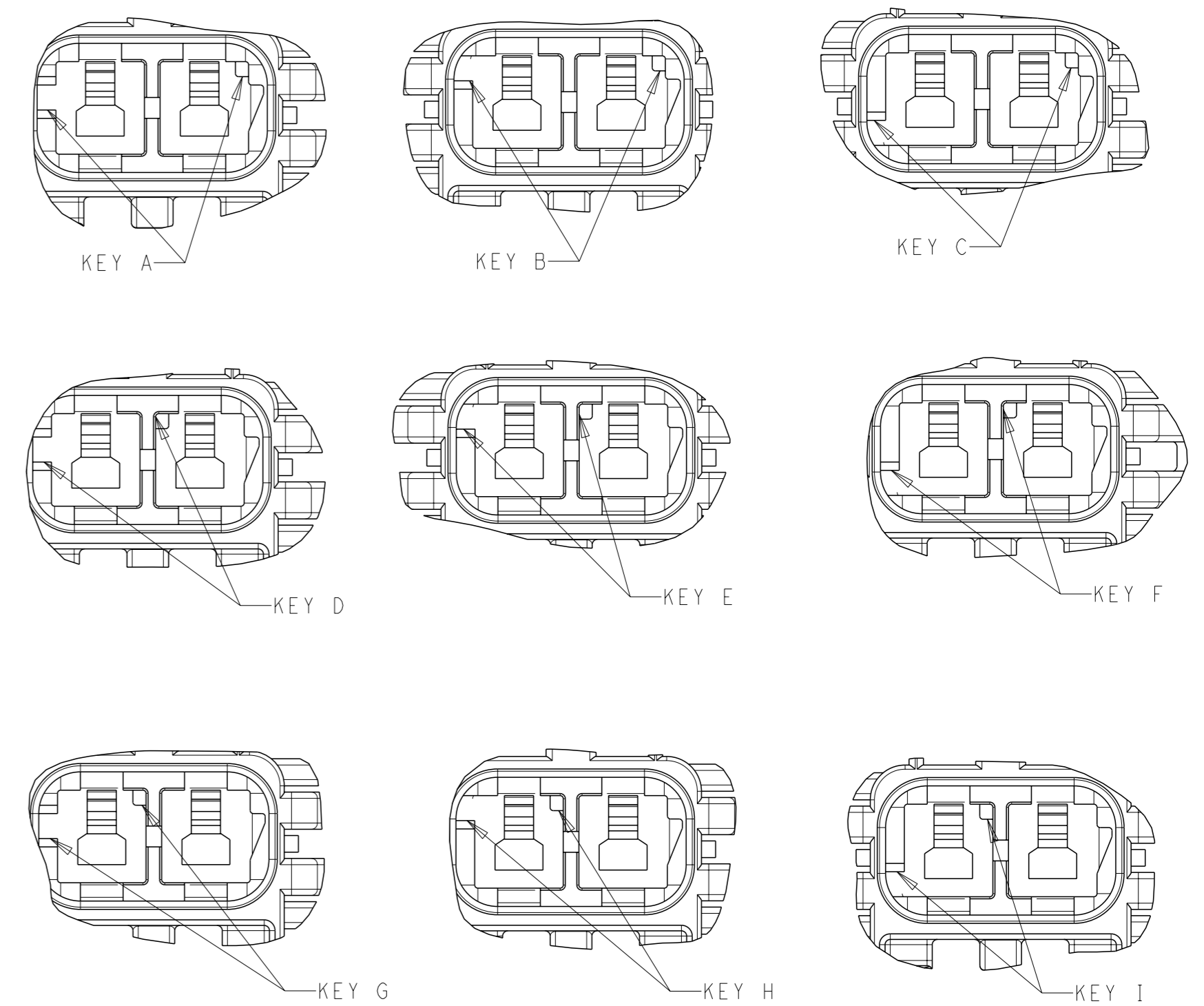
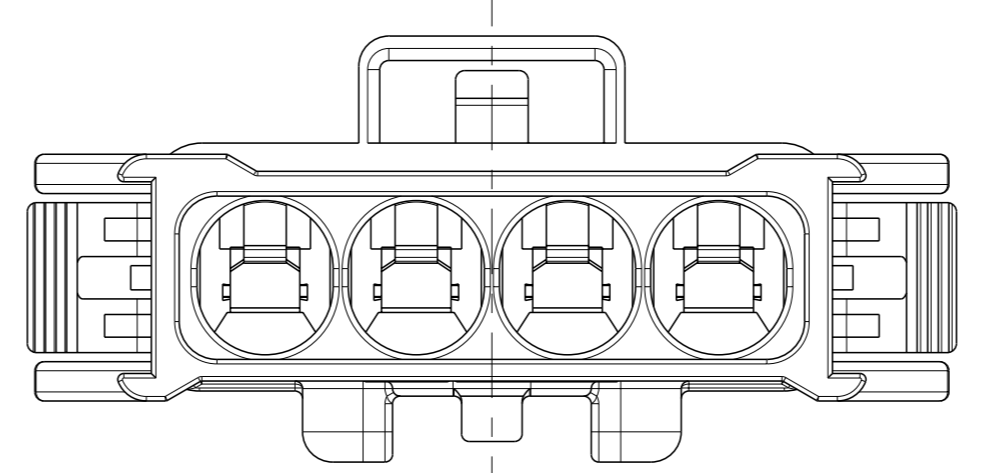
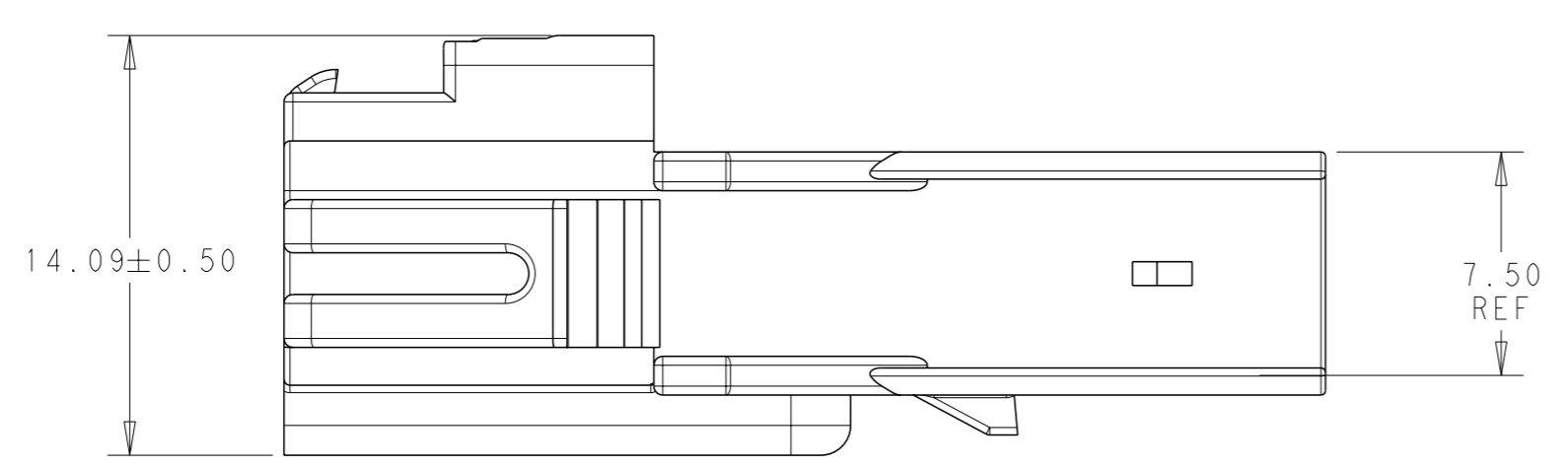
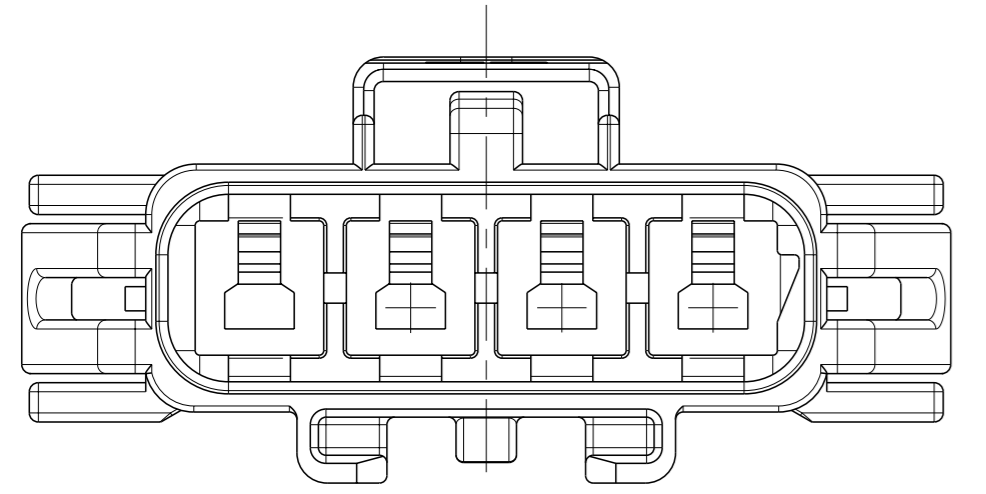
1x2 POSITION

1x3 POSITION

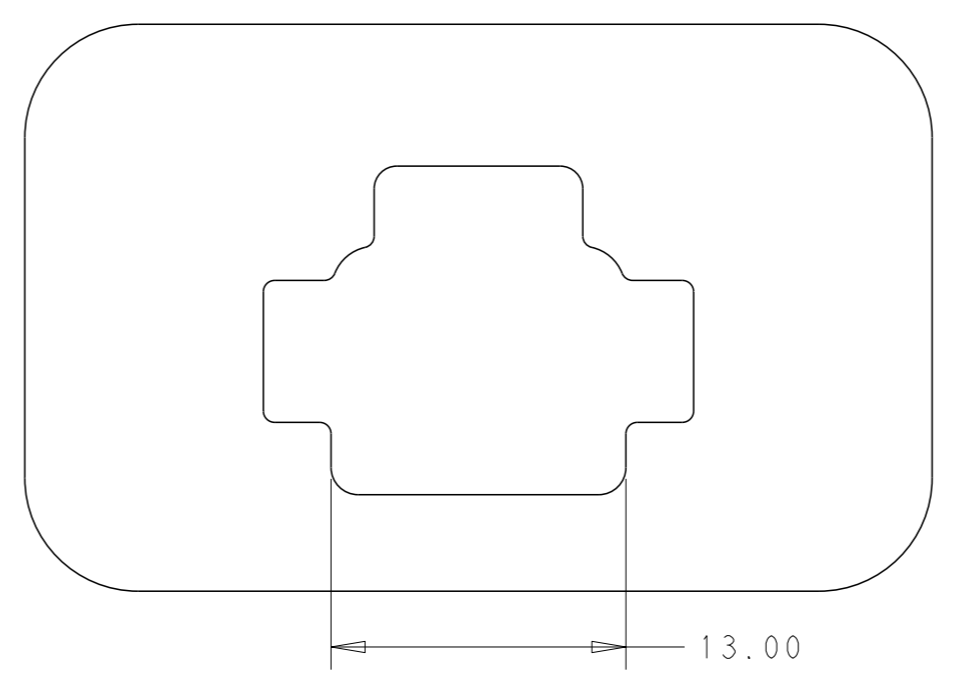


1x4 POSITION

1. MATERIAL: PBT, GLASS FILLED
 KEY A: NATURAL; KEY B: GREY; KEY C: BROWN
 KEY D: RED; KEY E: ORANGE; KEY F: VIOLET
 KEY G: YELLOW; KEY H: BLUE; KEY I: GREEN
2. MATERIAL MARK: PBT GF
3. APPLICABLE CONTACT P/N:
 2329910-*/2329907-*/2329906-*/2329908-*/2329909-*/2329911-*
4. MATING CONNECTOR P/N
 PLUG HSG: *-2378159-
 TPA: 2329016-
 BACK COVER: 2334614-
 INTERFACE SEAL: 2325347-
 GANG SEAL: 2325349-*
5. RECOMMENDED PANEL THICKNESS: 0.80-2.00
6. PANEL MUST BE PUNCHED SO THAT THE HOUSING ENTERS THE PANEL IN THE SAME DIRECTION AS THE PUNCH.
7. FLAMMABILITY RATING: UL94 V-0



RECOMMENDED PANEL CUT-OUT
 (ALL DIMENSIONS ± 0.15)



(1-2) PANEL CUT-OUT
 (ALL DIMENSIONS ± 0.15)

DIM C	DIM B	DIM A	KEYING	POSITIONS	PART NUMBER
22.85	30.73	22.52	KEY C	1*4	3-2378158-4
22.85	30.73	22.52	KEY B	1*4	2-2378158-4
22.85	30.73	22.52	KEY A	1*4	1-2378158-4
17.85	25.73	17.52	KEY C	1*3	3-2378158-3
17.85	25.73	17.52	KEY B	1*3	2-2378158-3
17.85	25.73	17.52	KEY A	1*3	1-2378158-3
12.85	20.73	12.52	KEY I	1*2	9-2378158-2
12.85	20.73	12.52	KEY H	1*2	8-2378158-2
12.85	20.73	12.52	KEY G	1*2	7-2378158-2
12.85	20.73	12.52	KEY F	1*2	6-2378158-2
12.85	20.73	12.52	KEY E	1*2	5-2378158-2
12.85	20.73	12.52	KEY D	1*2	4-2378158-2
12.85	20.73	12.52	KEY C	1*2	3-2378158-2
12.85	20.73	12.52	KEY B	1*2	2-2378158-2
12.85	20.73	12.52	KEY A	1*2	1-2378158-2

THIS DRAWING IS A CONTROLLED DOCUMENT.

DIMENSIONS: mm

TOLERANCES UNLESS OTHERWISE SPECIFIED:

0 PLC	±
1 PLC	±0.35
2 PLC	±0.25
3 PLC	±
4 PLC	±
ANGLES	±
FINISH	±

MATERIAL: PBT GF

APPROVED: B. WEAVER, D. SWARTZ, V. SHETTAR

DATE: 17AUG2020

NAME: CAP HOUSING, PANEL MOUNT, POWER VERSA-LOCK

PRODUCT SPEC: 108-143081

APPLICATION SPEC: 114-143082

WEIGHT: -

CUSTOMER DRAWING

SCALE: 4:1

SHEET 1 OF 1

REV A

Mouser Electronics

Authorized Distributor

Click to View Pricing, Inventory, Delivery & Lifecycle Information:

TE Connectivity:

[1-2378158-3](#) [2-2378158-2](#) [1-2378158-2](#) [2-2378158-3](#) [3-2378158-2](#) [3-2378158-3](#) [4-2378158-2](#) [5-2378158-2](#) [6-2378158-2](#) [7-2378158-2](#) [8-2378158-2](#) [9-2378158-2](#)