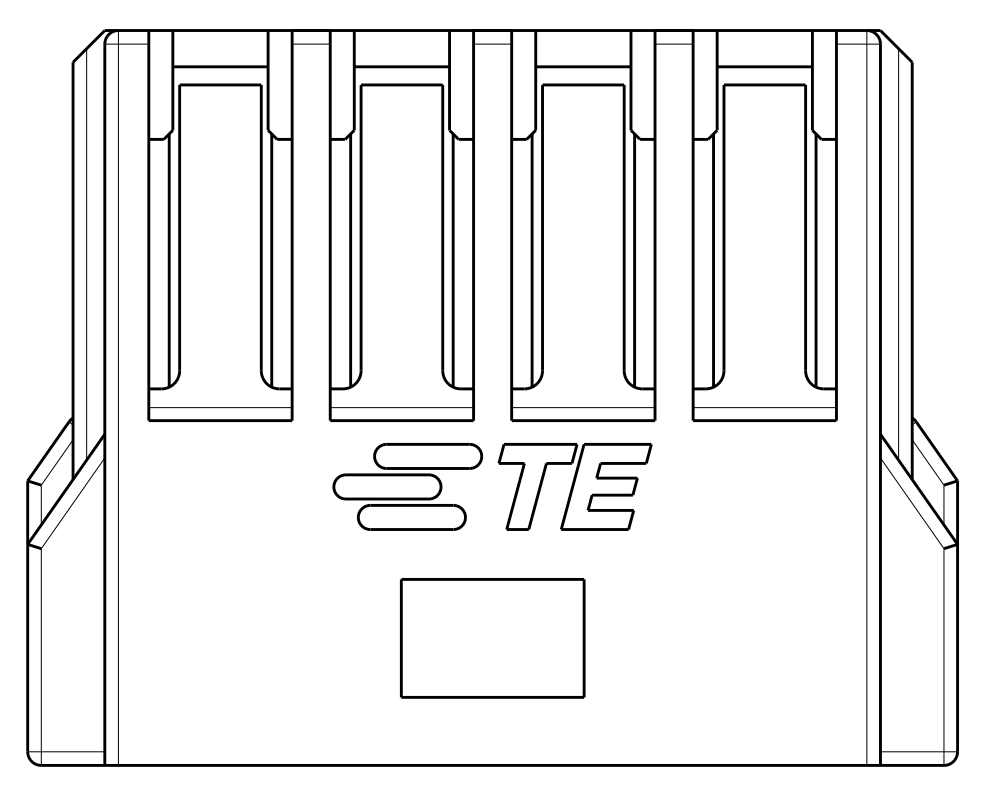
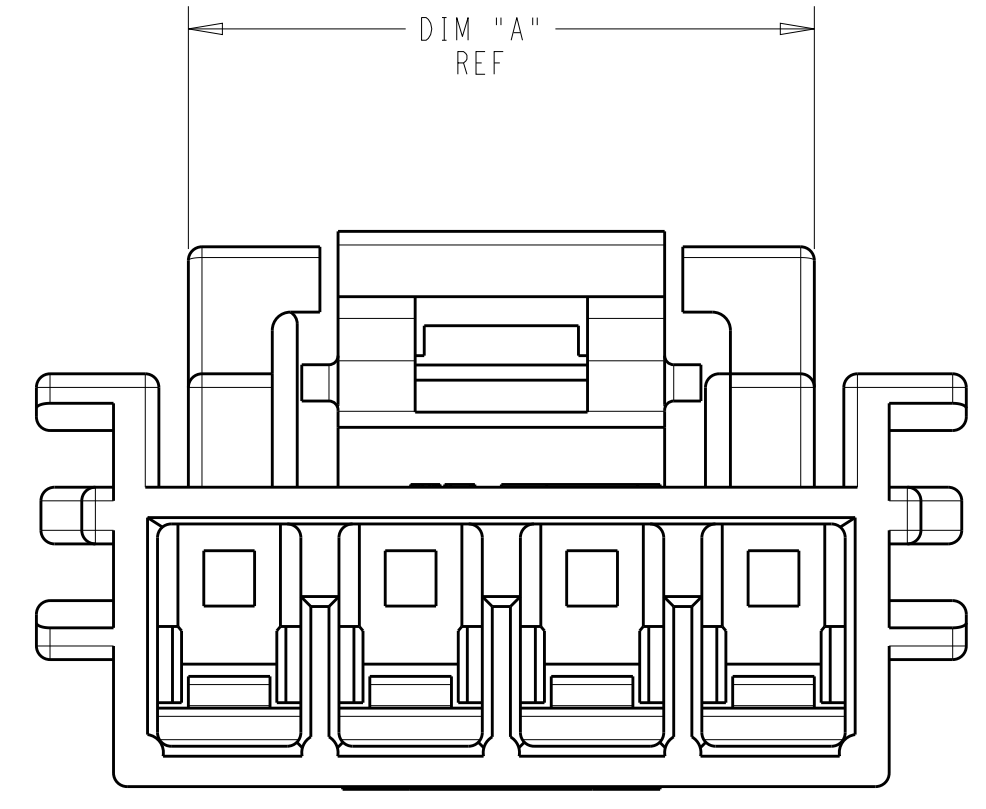
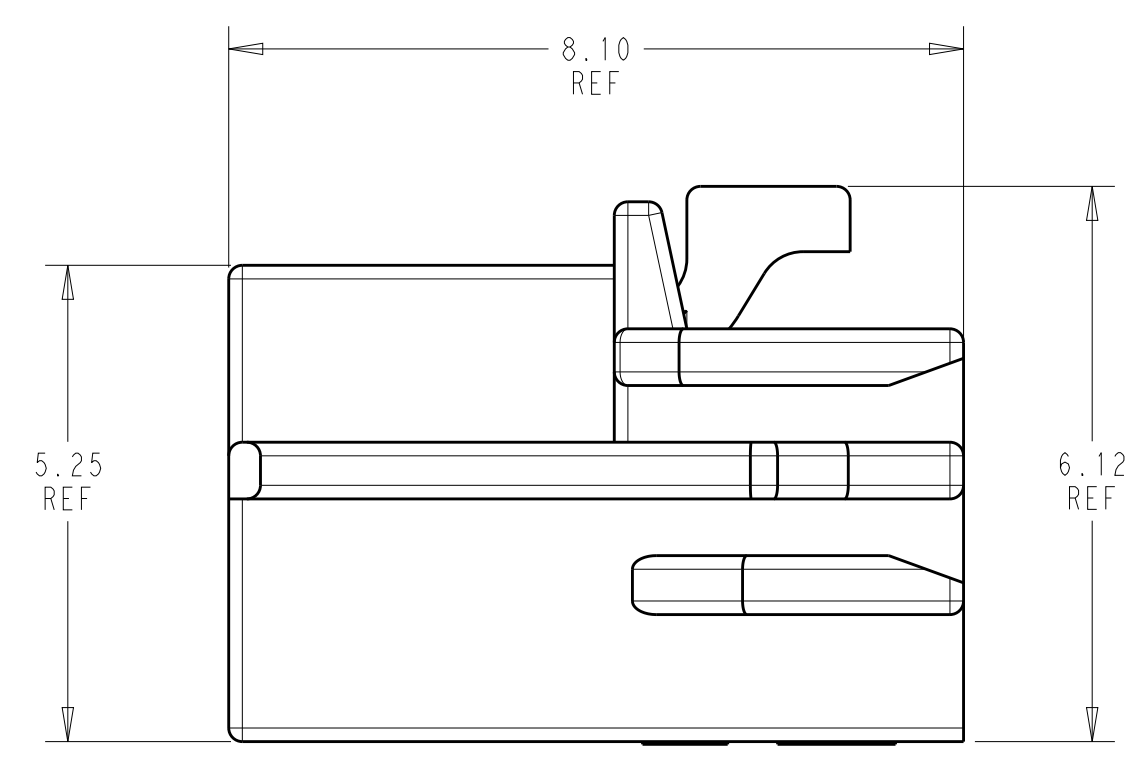
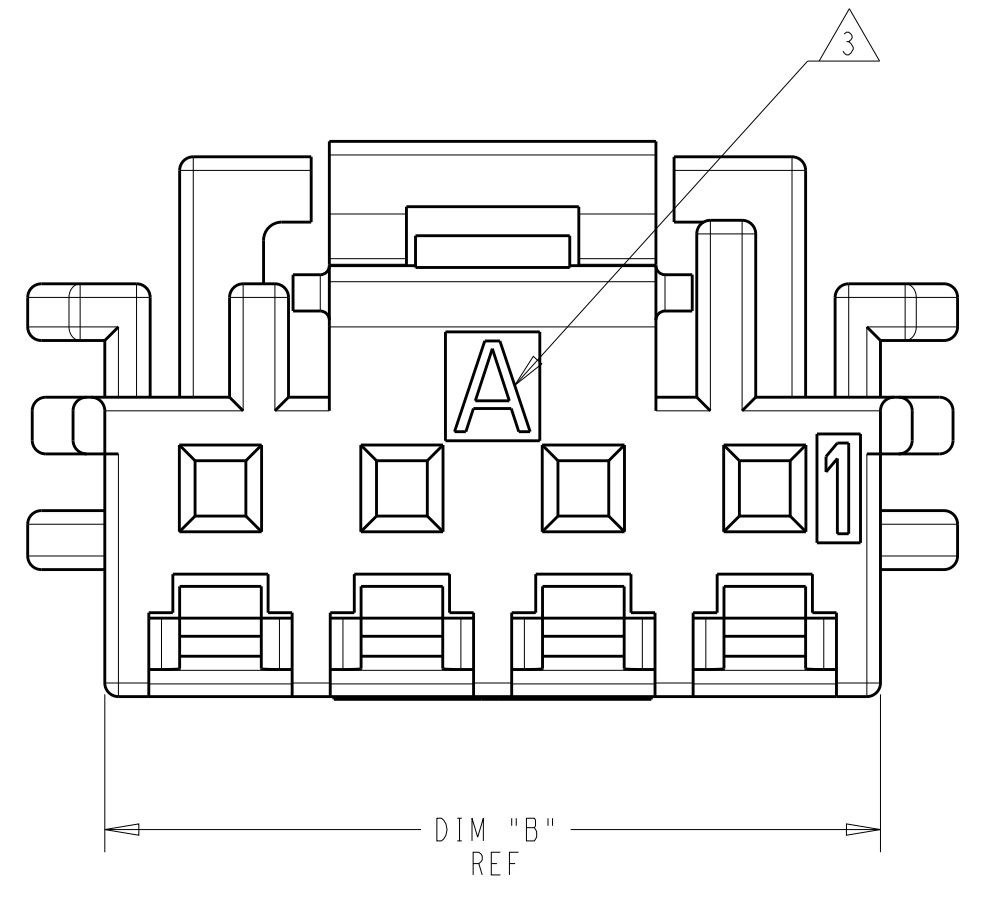
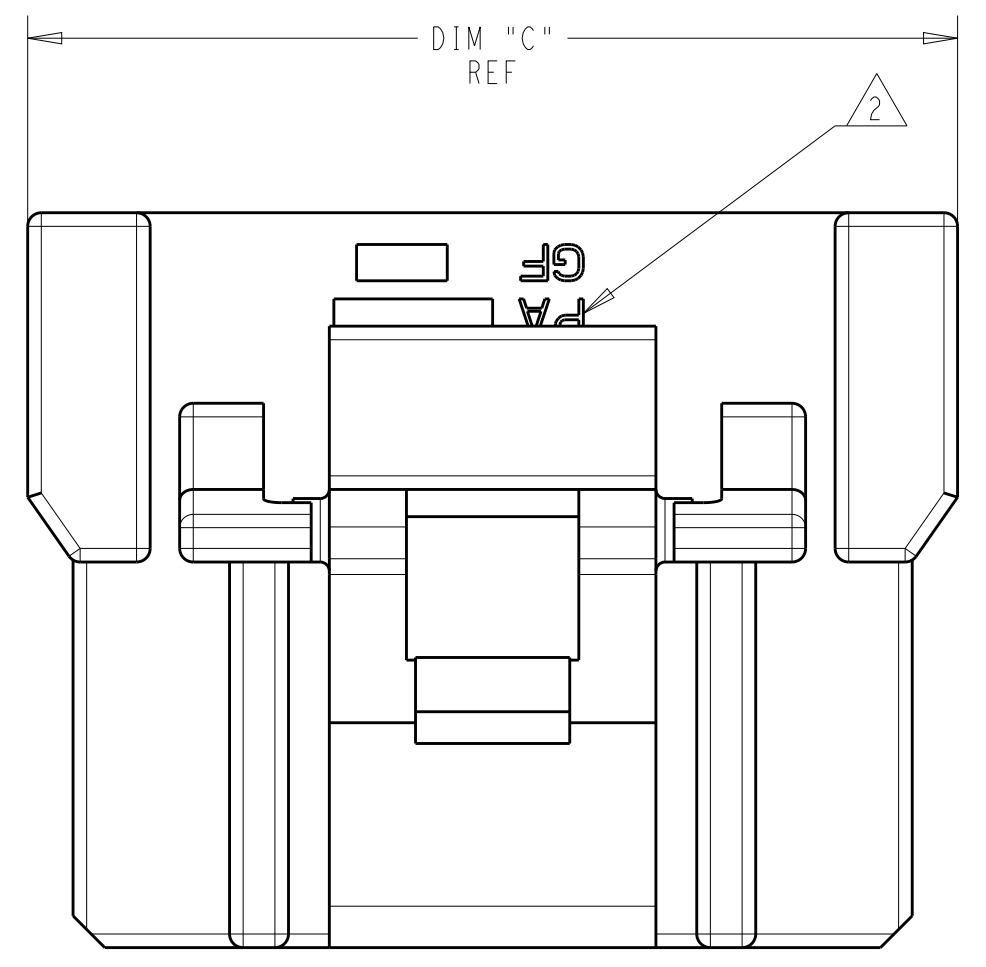


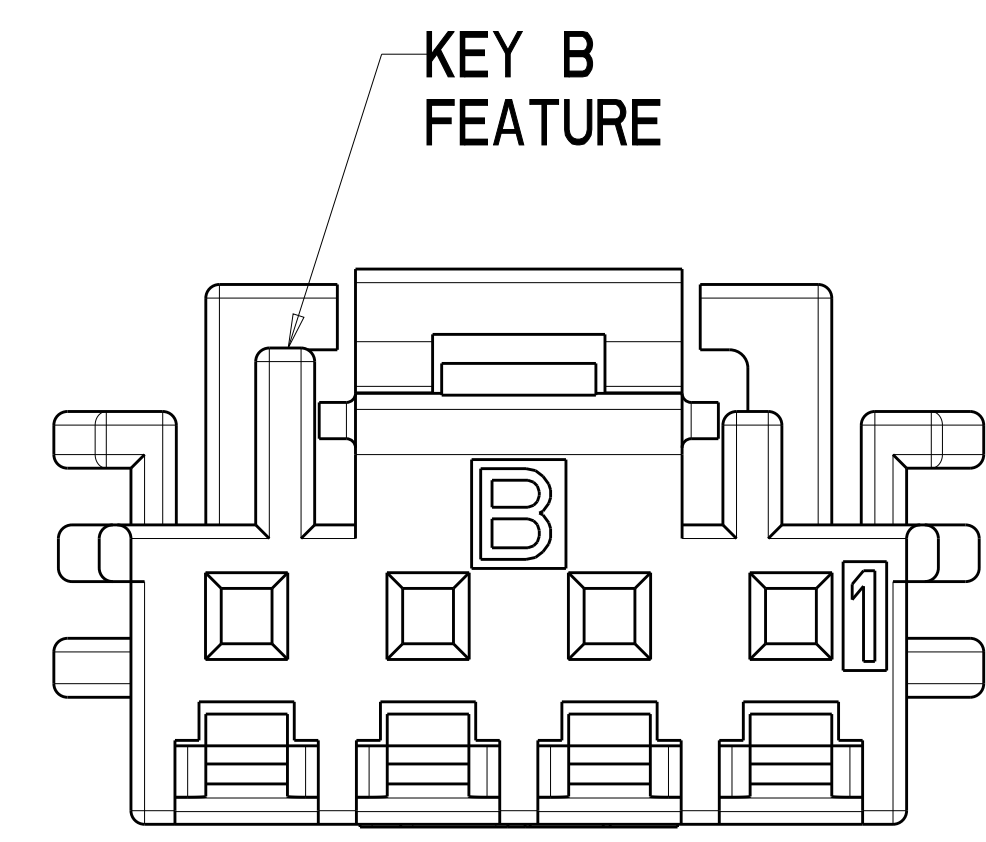
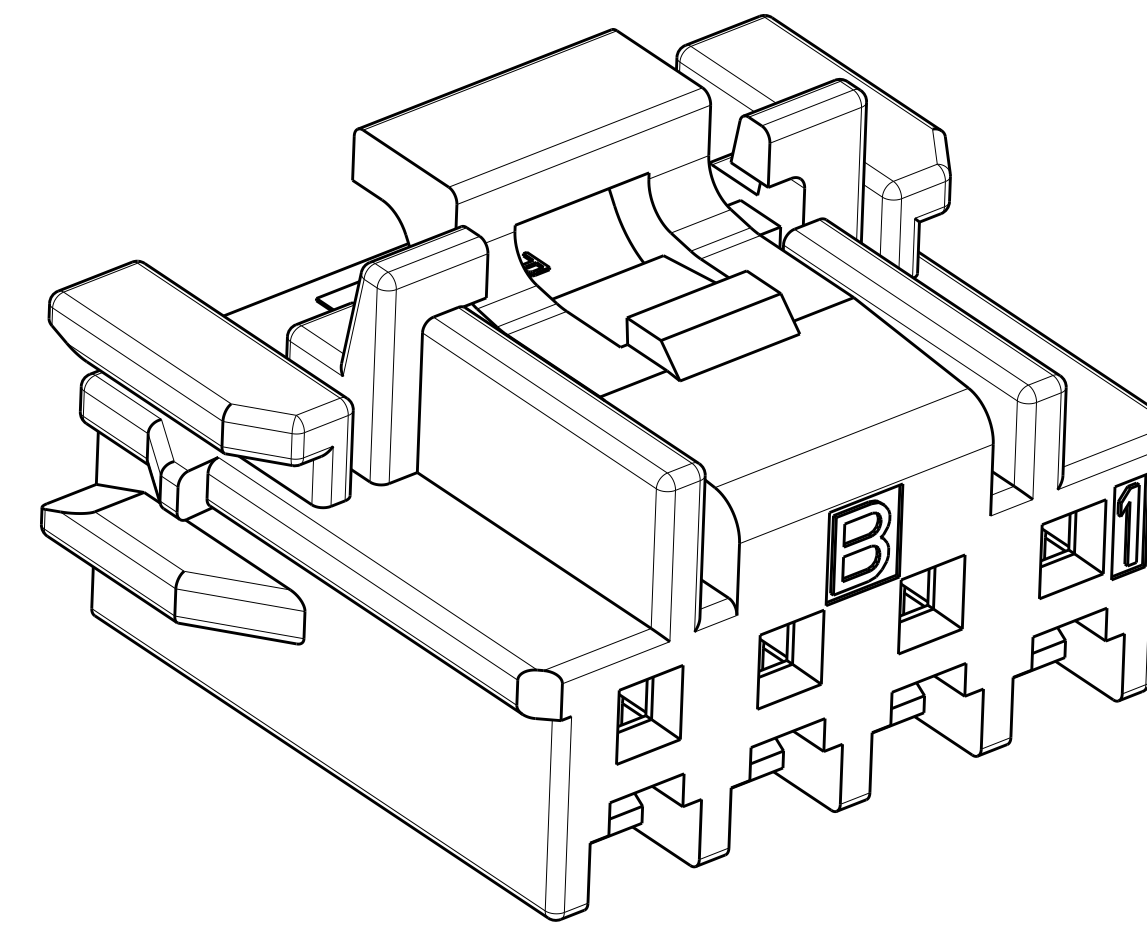
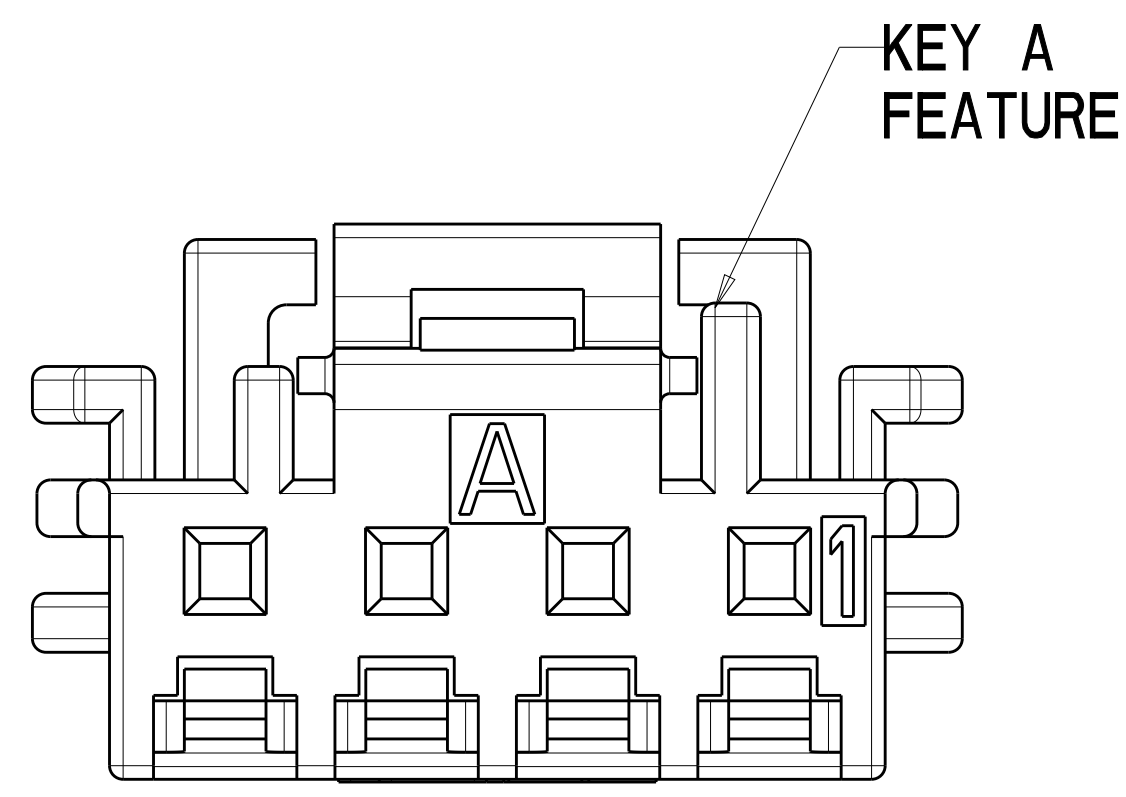
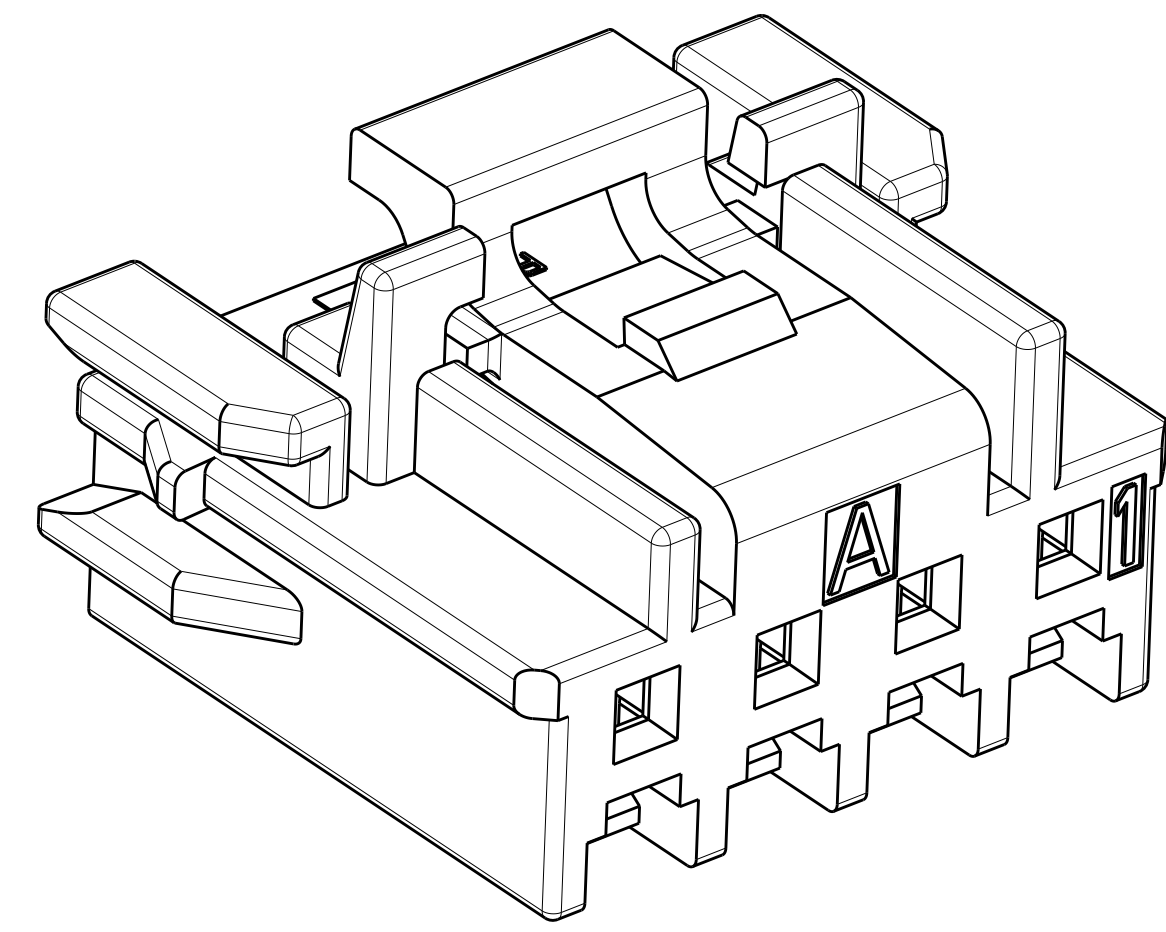
| REVISIONS | | | | | |
|-----------|-----|----------------------------|-----------|-----|------|
| P. | LTN | DESCRIPTION | DATE | DWN | APVD |
| A | | RELEASED PER ECO-20-008335 | 15JUN2020 | BKW | SW |
| | | | | | |
| | | | | | |

- ⚠ MATERIAL: PA, GLASS FILLED, COLOR: SEE TABLE
- ⚠ MATERIAL MARK: PA GF
- ⚠ KEYING ID MARK
- 4. THIS PRODUCT HAS NOT COMPLETED QUALIFICATION TESTING.



| DIM "C" | DIM "B" | DIM "A" | COLOR | KEYING | POSITIONS | PART NUMBER |
|---------|---------|---------|---------|--------|-----------|-------------|
| 22.25 | 20.55 | 6.90 | BLACK | KEY B | 1*10 | 3-2350224-0 |
| 20.25 | 18.55 | 6.90 | BLACK | KEY B | 1*9 | 2-2350224-9 |
| 18.25 | 16.55 | 6.90 | BLACK | KEY B | 1*8 | 2-2350224-8 |
| 16.25 | 14.55 | 6.90 | BLACK | KEY B | 1*7 | 2-2350224-7 |
| 14.25 | 12.55 | 6.90 | BLACK | KEY B | 1*6 | 2-2350224-6 |
| 12.25 | 10.55 | 6.90 | BLACK | KEY B | 1*5 | 2-2350224-5 |
| 10.25 | 8.55 | 6.90 | BLACK | KEY B | 1*4 | 2-2350224-4 |
| 8.25 | 6.55 | 7.30 | BLACK | KEY B | 1*3 | 2-2350224-3 |
| 6.25 | 4.55 | 5.30 | BLACK | KEY B | 1*2 | 2-2350224-2 |
| 22.25 | 20.55 | 6.90 | NATURAL | KEY A | 1*10 | 2-2350224-0 |
| 20.25 | 18.55 | 6.90 | NATURAL | KEY A | 1*9 | 1-2350224-9 |
| 18.25 | 16.55 | 6.90 | NATURAL | KEY A | 1*8 | 1-2350224-8 |
| 16.25 | 14.55 | 6.90 | NATURAL | KEY A | 1*7 | 1-2350224-7 |
| 14.25 | 12.55 | 6.90 | NATURAL | KEY A | 1*6 | 1-2350224-6 |
| 12.25 | 10.55 | 6.90 | NATURAL | KEY A | 1*5 | 1-2350224-5 |
| 10.25 | 8.55 | 6.90 | NATURAL | KEY A | 1*4 | 1-2350224-4 |
| 8.25 | 6.55 | 7.30 | NATURAL | KEY A | 1*3 | 1-2350224-3 |
| 6.25 | 4.55 | 5.30 | NATURAL | KEY A | 1*2 | 1-2350224-2 |

| | | | |
|--|----------|-----------------------------|---|
| THIS DRAWING IS A CONTROLLED DOCUMENT. | | DWN: B. WEAVER 21JUN2019 | TE Connectivity PLUG HOUSING, SGI 2.0 |
| DIMENSIONS: mm | | CHK: C. YI 21JUN2019 | |
| TOLERANCES UNLESS OTHERWISE SPECIFIED: | | APVD: T. BENCHOFF 21JUN2019 | NAME: PLUG HOUSING, SGI 2.0 |
| 0 PLC ± | 1 PLC ± | PRODUCT SPEC | SIZE: CAGE CODE DRAWING NO |
| 2 PLC ± | 3 PLC ± | APPLICATION SPEC | RESTRICTED TO |
| 4 PLC ± | ANGLES ± | WEIGHT | A 00779 ©=2350224 |
| MATERIAL | FINISH | CUSTOMER DRAWING | SCALE: 12:1 SHEET 1 OF 3 REV A |

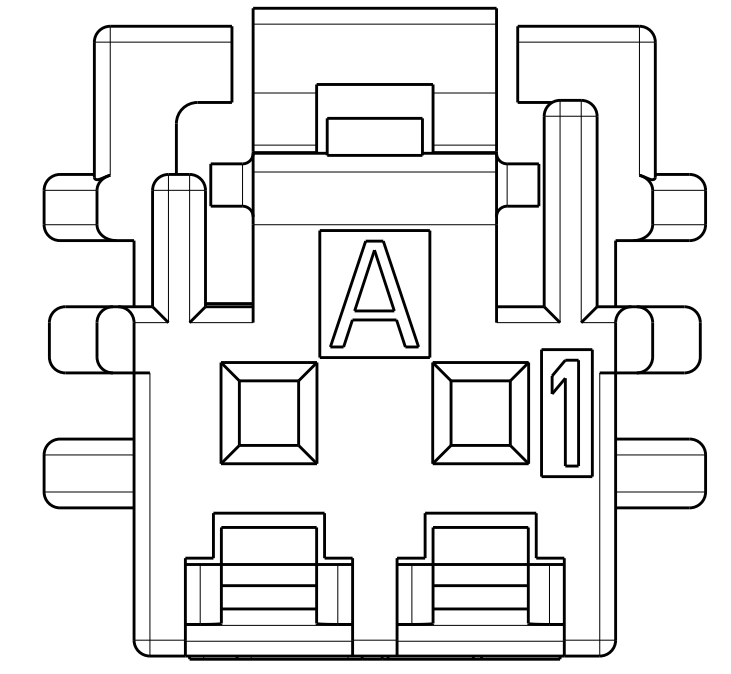


| REVISIONS | | | | |
|-----------|-----|-------------|------|------|
| P. | LTN | DESCRIPTION | DATE | APVD |
| - | - | SEE SHEET 1 | - | - |
| | | | | |
| | | | | |

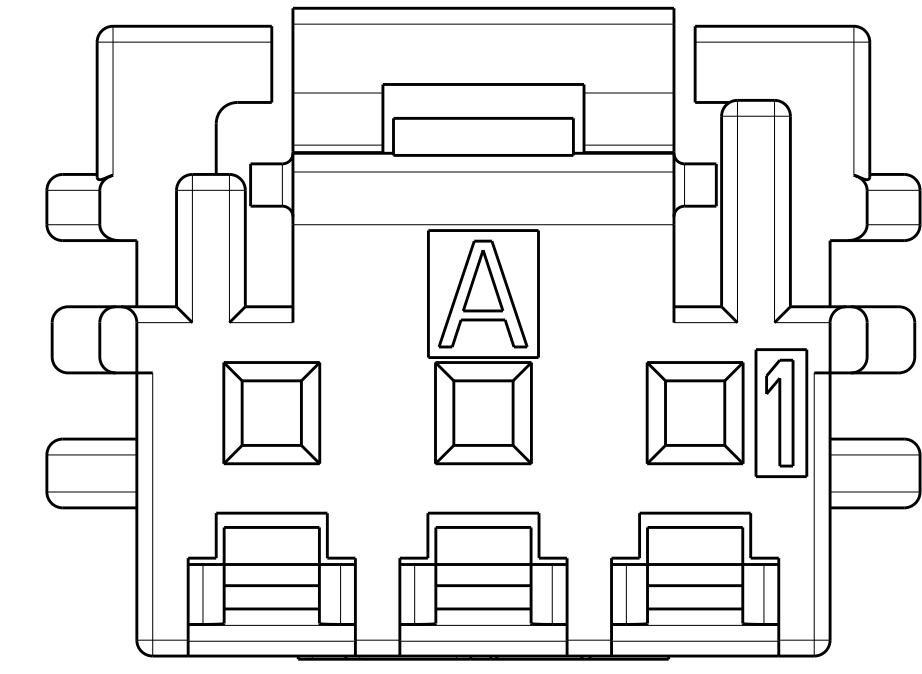
| | | | |
|--|--|----------------------------------|-------------------------------|
| THIS DRAWING IS A CONTROLLED DOCUMENT. | | DWN B. WEAVER 21JUN2019 | |
| | | CHK C. YI 21JUN2019 | |
| DIMENSIONS: | | APVD T. BENCHOFF 21JUN2019 | NAME PLUG HOUSING, SGI 2.0 |
| mm | TOLERANCES UNLESS OTHERWISE SPECIFIED: | PRODUCT SPEC | PRODUCT SPEC |
| | 0 PLC ± | APPLICATION SPEC | APPLICATION SPEC |
| | 1 PLC ± | | |
| | 2 PLC ± | | |
| | 3 PLC ± | | |
| | 4 PLC ± | | |
| | ANGLES ± | | |
| MATERIAL | FINISH | WEIGHT | RESTRICTED TO |
| | | | A 00779 ©=2350224 |
| CUSTOMER DRAWING | | SCALE 12:1 | SHEET 2 OF 3 REV A |

| REVISIONS | | | | |
|-----------|-----|-------------|------|------|
| P. | LTN | DESCRIPTION | DATE | APVD |
| - | - | SEE SHEET 1 | - | - |
| | | | | |
| | | | | |

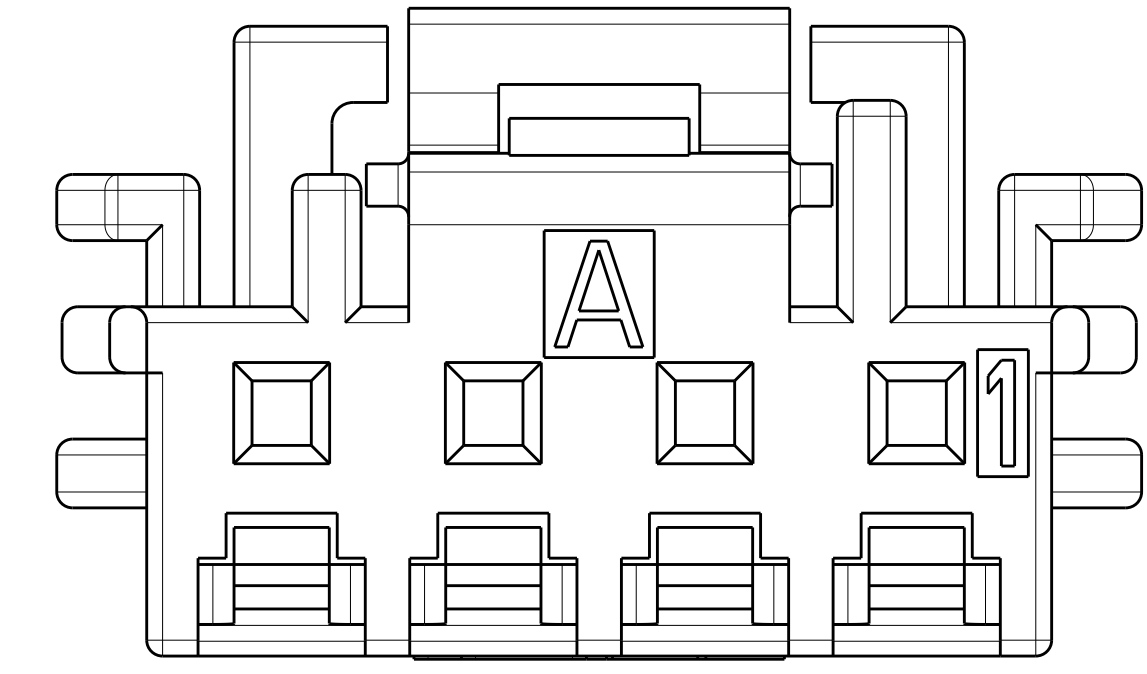
2 POSITION



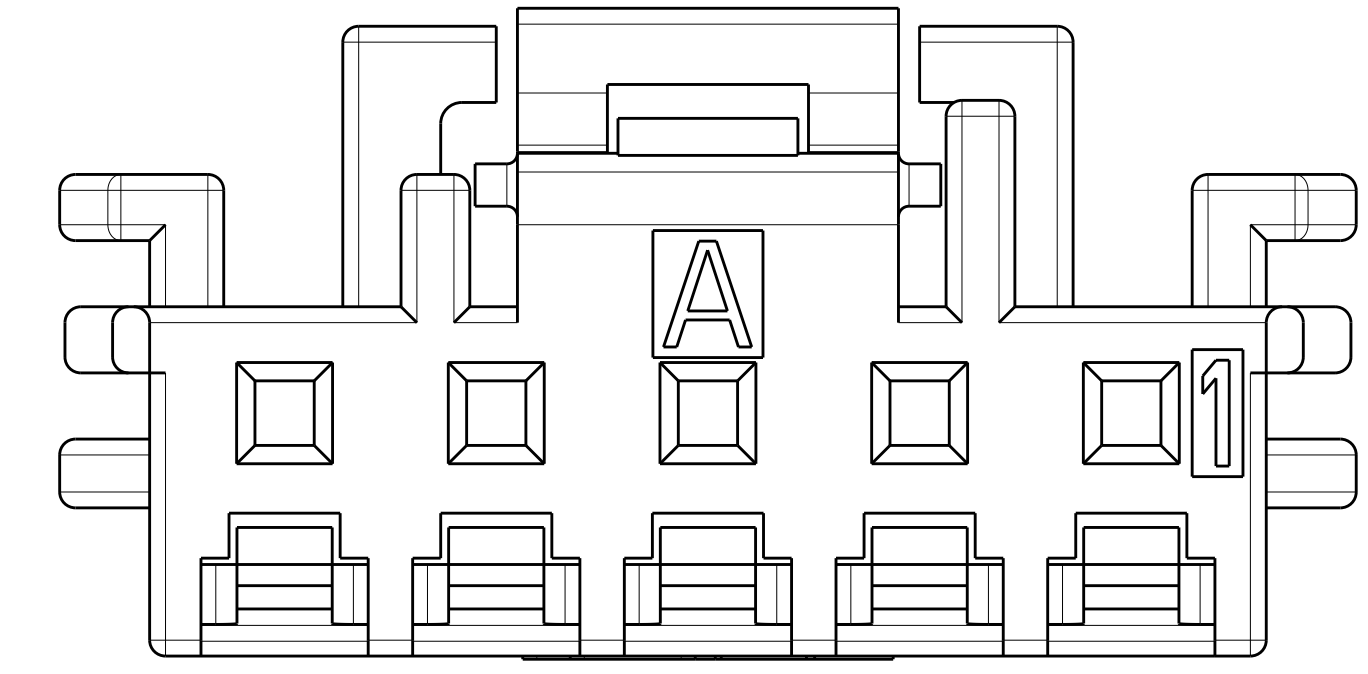
3 POSITION



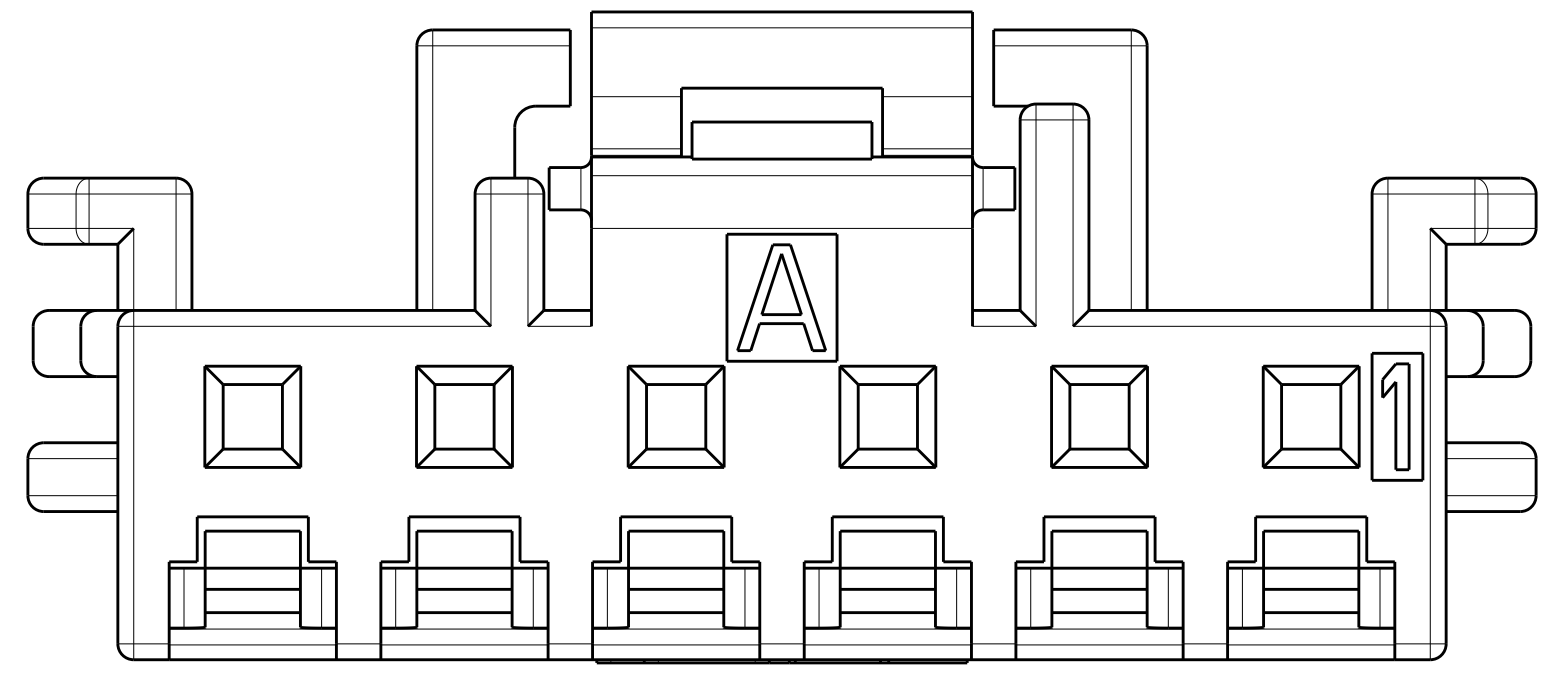
4 POSITION



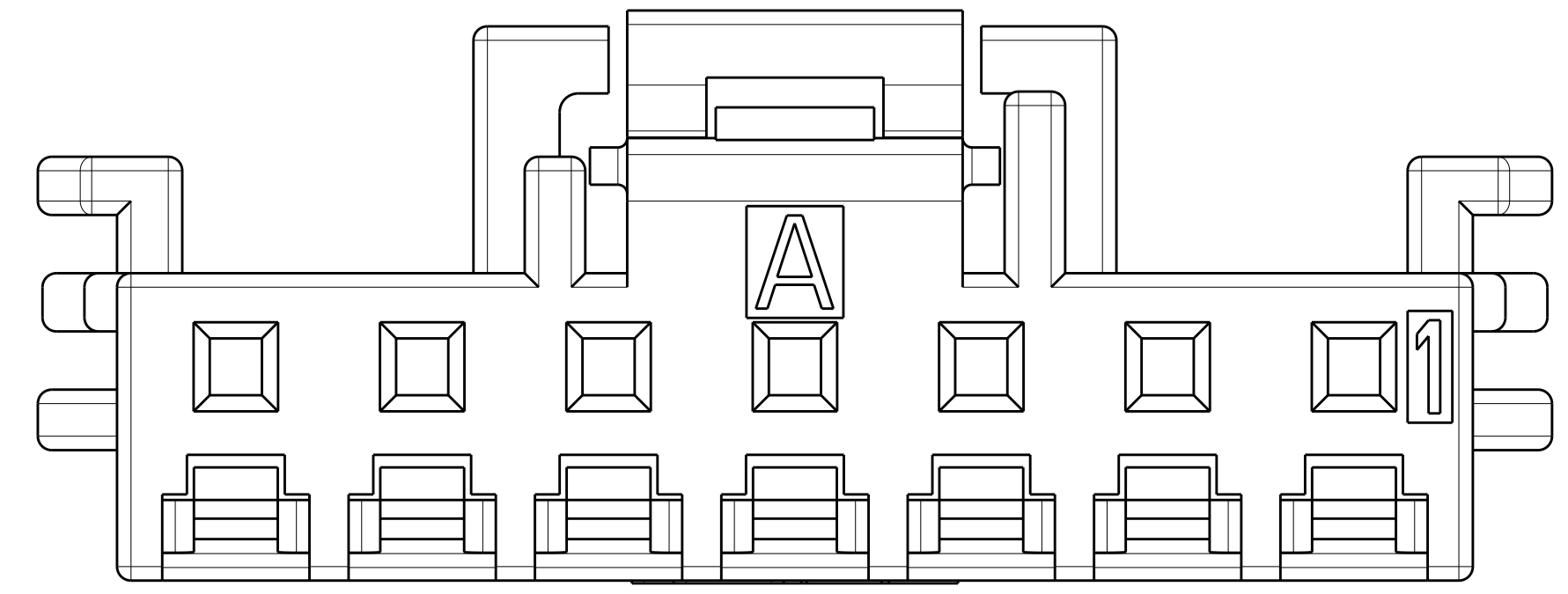
5 POSITION



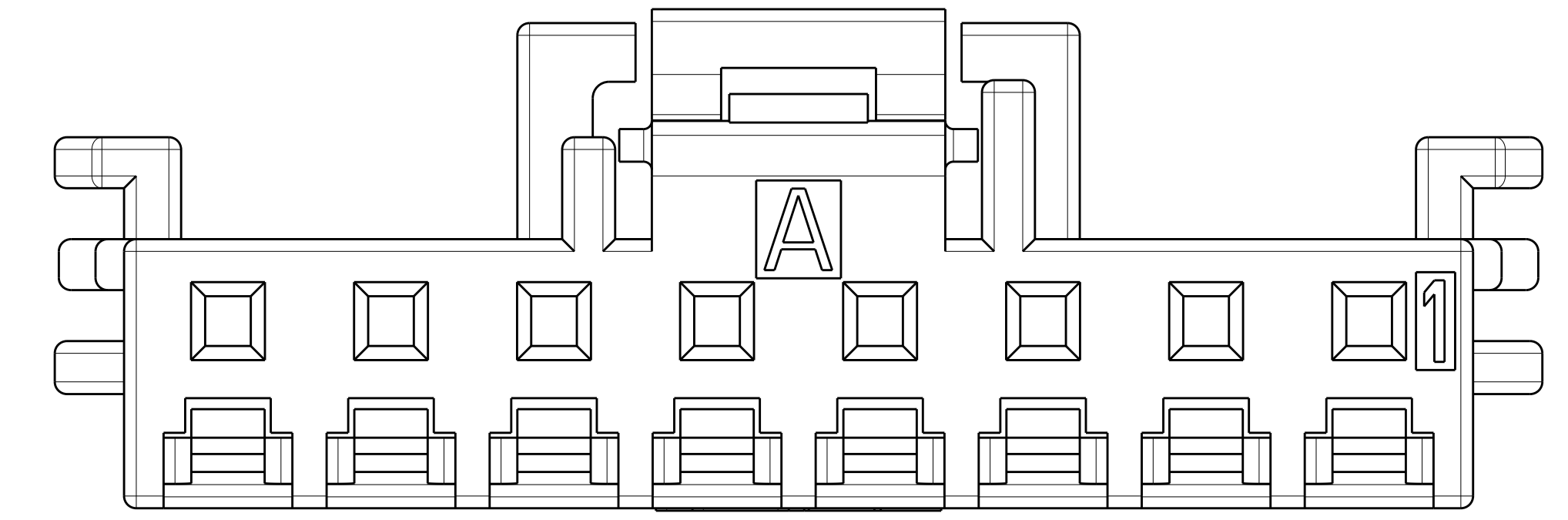
6 POSITION



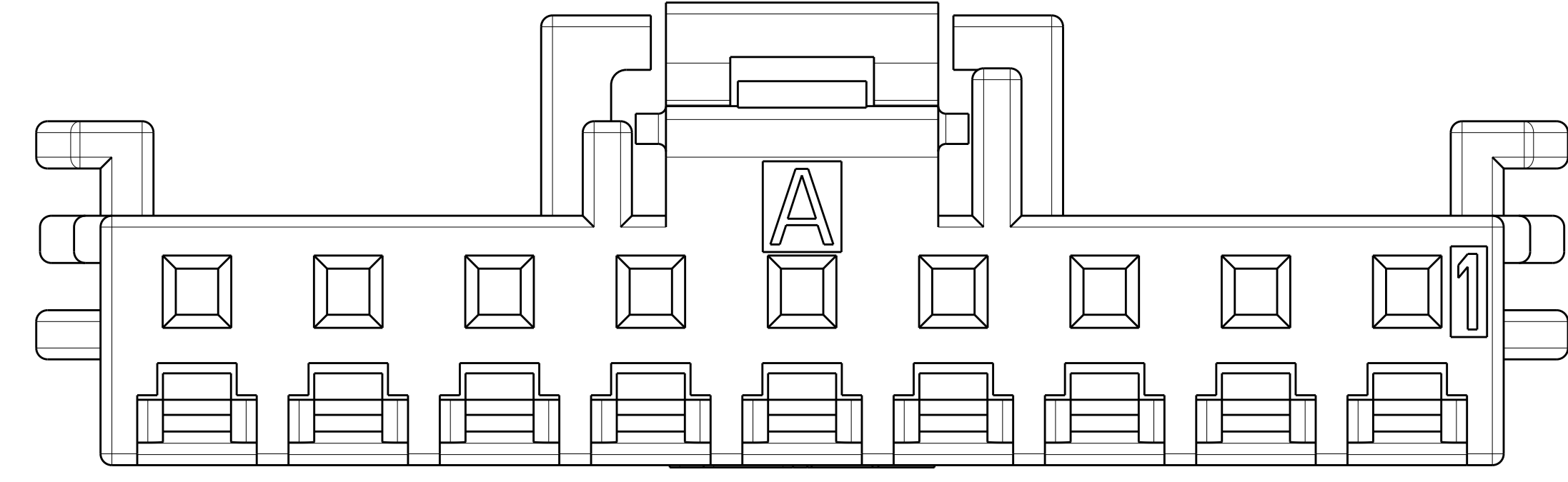
7 POSITION



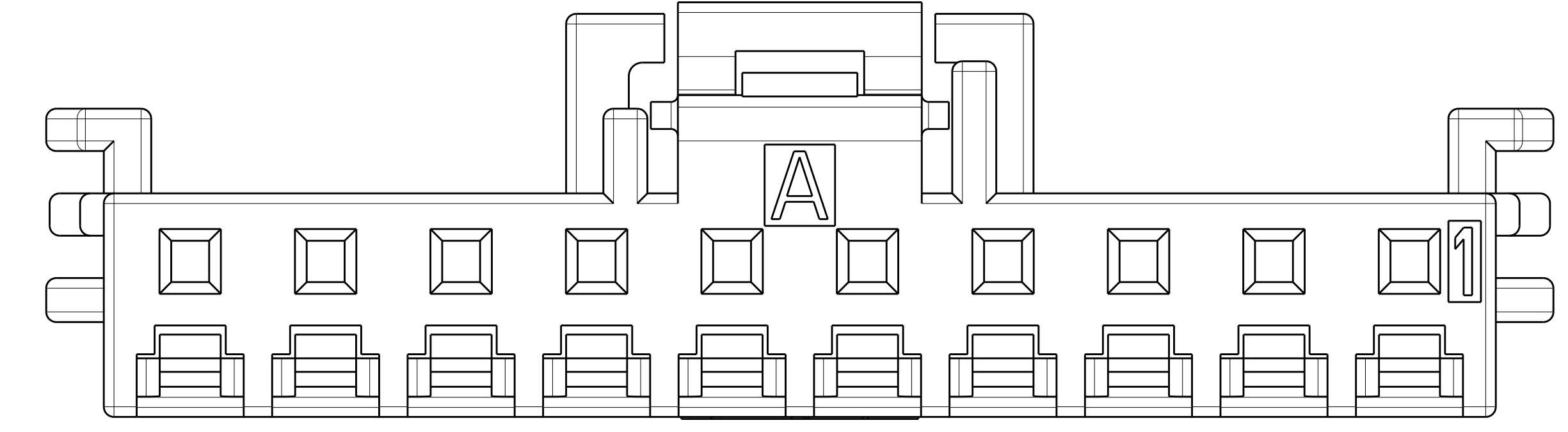
8 POSITION



9 POSITION



10 POSITION



| | | | |
|--|---|-----------------------------|-----------------------------|
| THIS DRAWING IS A CONTROLLED DOCUMENT. | | DWN: B. WEAVER 21JUN2019 | |
| DIMENSIONS: mm | | CHK: C. YI 21JUN2019 | |
| TOLERANCES UNLESS OTHERWISE SPECIFIED: | | APVD: J. BENCHOFF 21JUN2019 | NAME: PLUG HOUSING, SGI 2.0 |
| 0 PLC | ± | PRODUCT SPEC | SIZE: A |
| 1 PLC | ± | APPLICATION SPEC | CAGE CODE: 00779 |
| 2 PLC | ± | WEIGHT | DRAWING NO: 2350224 |
| 3 PLC | ± | CUSTOMER DRAWING | SCALE: 12:1 |
| 4 PLC | ± | | SHEET: 3 OF 3 |
| ANGLES | ± | | REV: A |
| FINISH | - | | |

Mouser Electronics

Authorized Distributor

Click to View Pricing, Inventory, Delivery & Lifecycle Information:

[TE Connectivity:](#)

[1-2350224-2](#) [1-2350224-4](#) [1-2350224-6](#)