

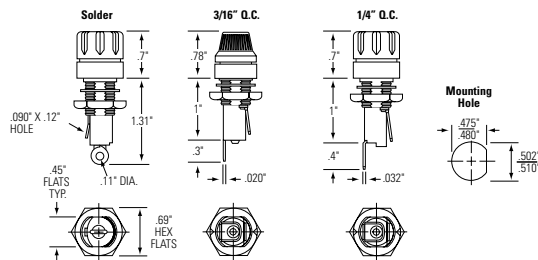
# 342 Series

## Panel Mount Enclosed Fuseholders for 3AG/AB Fuses

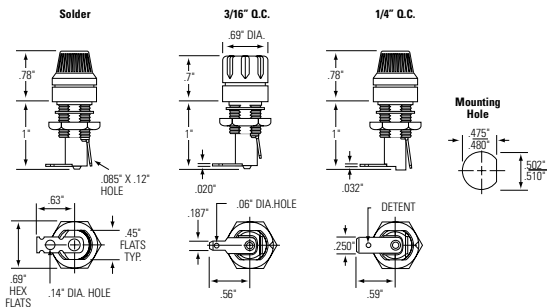


### Dimensions

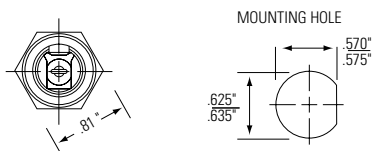
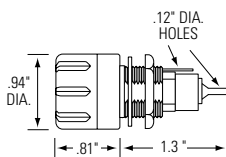
General Application / Straight Terminal Product Dimensions



General Application / Right Angle Terminal Product Dimensions



Watertight Product Dimensions



### Product Characteristics

	General Application Products	Watertight Product
<b>Compatible Fuses</b>	3AG/AB	
<b>Electrical</b>	Rated at 20 amperes for any voltage up to 250	
<b>Ambient Temperature</b>	-40°C to +85°C	
<b>Dielectric Strength</b>	2400 volts minimum	1500 volts minimum
<b>Mounting</b>	Withstands 15 lb.-in. mounting torque; maximum panel thickness: .187"	Withstands 15 lb.-in. mounting torque; maximum panel thickness is .250"
<b>Molded Parts</b>	Black thermoplastic (UL94 V-0)	Black thermoset (UL94 V-0)
<b>Seal</b>	Neoprene washer provide drip-proof protection on the front side of the panel (upon request)	O-ring provides a watertight seal on the front side of the panel per MIL-PRF-19207
<b>Terminals</b>	Copper & copper alloy. Tin plated, except ¼" Quick-Connect terminals are nickel plated	Copper & copper alloy. Tin plated
<b>Hardware</b>	Comes with a mounting nut and neoprene washer	O-rings (2) and hex nut, unassembled
<b>Ingression Protection Rating</b>	IP40	IP67

### Agency Approvals

Agency	Agency File Number
	E14721
	7316 (*Except 342 006)

### Ordering Information

Body Terminal Type		Catalog Number	
Angle	Connect	Fluted Knob	Knurled Knob
<b>General Application Products</b>			
Straight	Solder	342 014	342 012
	3/16" Q.C.	342 038	342 058
	1/4" Q.C.	342 838	342 858
Right Angle	Solder	342 004	342 022
	3/16" Q.C.	342 028	342 048
	1/4" Q.C.	342 828	342 848
<b>Watertight Product</b>			
Straight	Solder	342 006 *	Not Applicable

**Note:** Refer to [Fuseology](#) for information on proper fuseholder re-rating.

### Additional Information



Resources



Accessories



Samples

**Disclaimer Notice** - Information furnished is believed to be accurate and reliable. However, users should independently evaluate the suitability of and test each product selected for their own applications. Littelfuse products are not designed for, and may not be used in, all applications. Read complete Disclaimer Notice at: [www.littelfuse.com/disclaimer-electronics](http://www.littelfuse.com/disclaimer-electronics).

# Mouser Electronics

Authorized Distributor

Click to View Pricing, Inventory, Delivery & Lifecycle Information:

## Littelfuse:

[03420104HX040](#) [03420012HX010](#) [03420001X](#) [03420838HX010](#) [03420828X](#) [03420004HXP](#) [03420028HXL](#)  
[03420004HXPL](#) [03420848X](#) [03420828H](#) [03420038X](#) [03420028X](#) [03420838HXP](#) [03420858HXL](#) [03420014H](#)  
[03420838H](#) [03420058HXL](#) [03420058X](#) [03420048HXL](#) [03420858H](#) [03420858HXP](#) [03420012HXL](#) [03420848H](#)  
[03420012X](#) [03420858HXPL](#) [03420012HXP](#) [03420848HXL](#) [03420038H](#) [03420014HXL](#) [03420048X](#) [03420028H](#)  
[03420014X](#) [03420838HXL](#) [03420058H](#) [03420006ZXA](#) [03420012H](#) [03420022X](#) [03420038HXL](#) [03420022HXL](#)  
[03420048H](#) [03420828HXL](#) [03420858X](#) [03420006Z](#) [03420048HXPL](#) [03420022H](#) [03420004H](#) [03420004HXL](#)  
[03420838X](#) [03420001H](#) [03420006T](#) [03420858XXL](#) [03420838HXA](#) [03420004X](#)