

FUSE HOLDER FOR MAXI® STYLE BLADE FUSE

RoHS



Description

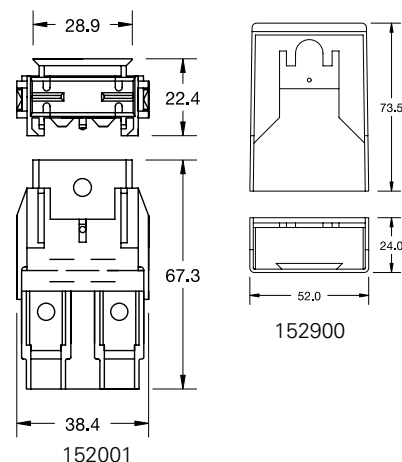
This fuse holder provides an efficient, simple installation method for MAXI® / FK3-Style Fuse applications.

Ordering Information

Part Number	Package Size
01520001TXN	10
01520001U	500

Dimensions

Dimensions in mm



Ratings

Part Number	Description	Fuse Rating
01520001TXN940	Assortment: Fuse Holder with screws and terminals - 10 pcs.	60 A
01520001TXN941	Assortment: Fuse Holder, Cover with screws and terminals - 10 pcs.	60 A

MAXI® COMPONENTS

Ratings

Part Number	Description
01520001_	Fuse Holder
01520900_	Cover
09130653_	Terminals for wire Ø 2.5 - 6 mm ²
09130654_	Terminals for wire Ø 5 - 10 mm ²
09130550_	Screws Ø 5.3 mm, M 5x8

Ordering Information

Part Number	Package Size
01520001TXN	10
01520900TXN	10
01520900H	100
01520900U	500
09130550LXN	50
09130550Z	100
09130653LXN	50
09130653Z	1500
09130654LXN	50
09130654Z	1000

Mouser Electronics

Authorized Distributor

Click to View Pricing, Inventory, Delivery & Lifecycle Information:

Littelfuse:

[01520001Z](#) [0MAB0001F](#) [01520900U](#) [01520001U](#) [01520900Z](#) [0MAB0001XP](#) [01520903Z](#) [0MAB0001S](#)
[01520001TXN](#) [01520003TXN](#) [01520001TXN940](#) [01520900TXN](#) [01520001TXN941](#) [01520900H](#) [09130550Z](#)
[01520903U](#) [09130550LXN](#)