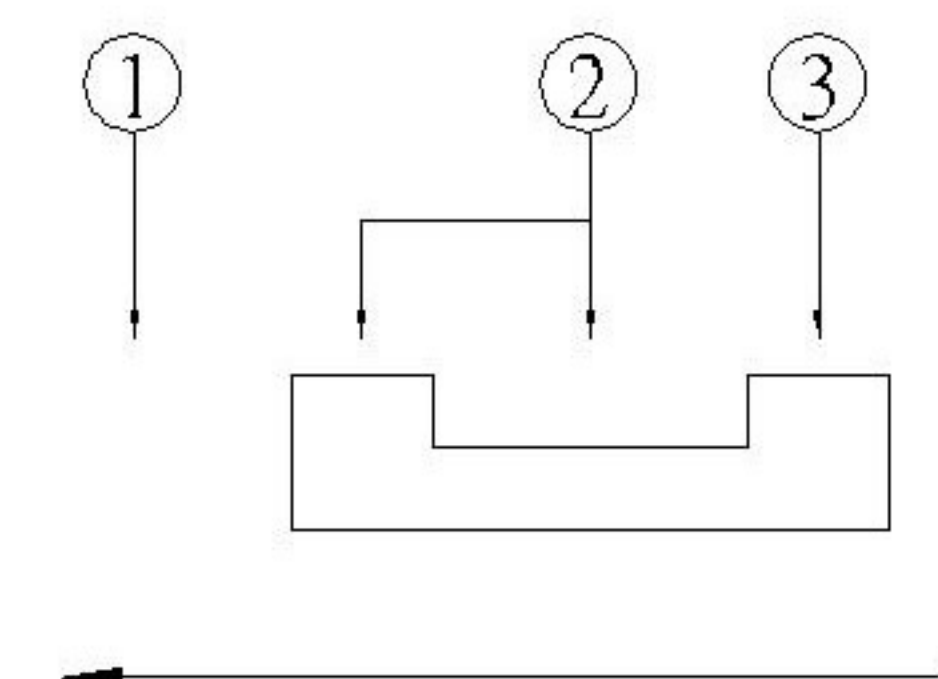
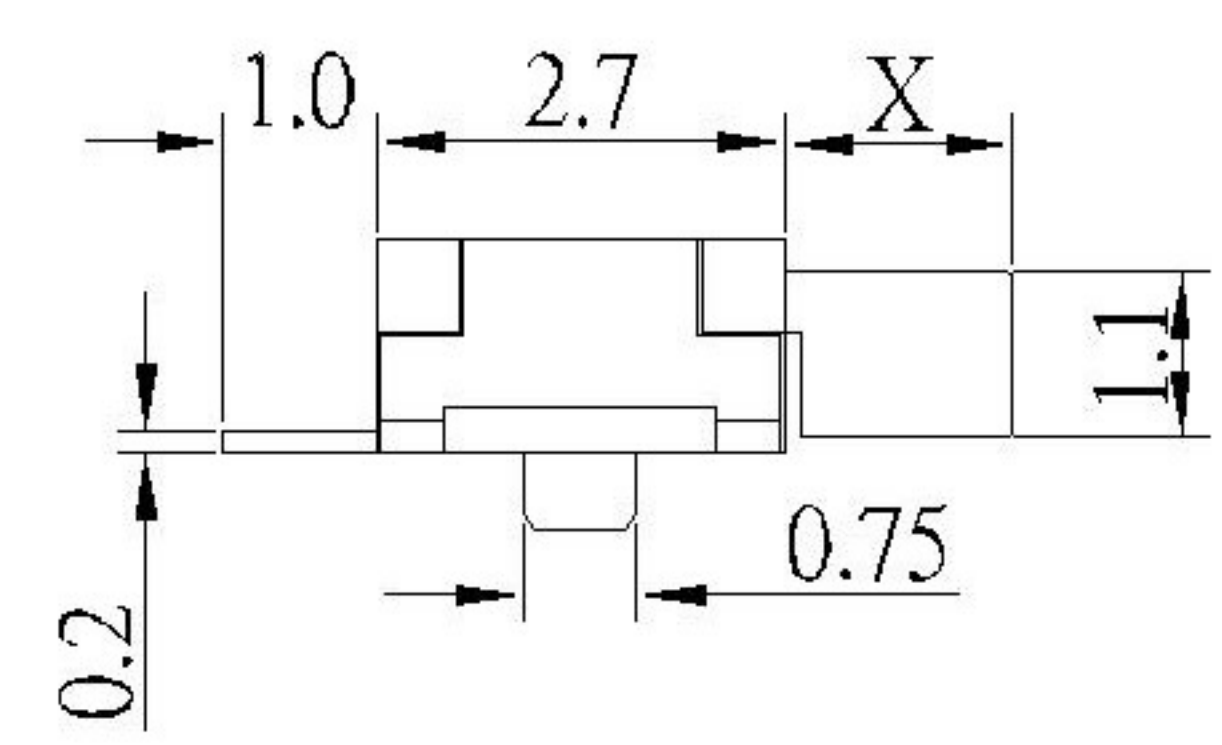


P.C.B LAND PATTERN



CIRCUIT DIAGRAM

PAPT NO	L
SK-3296S-01-L1	1.5
SK-3296S-01-L2	2.0
SK-3296S-01-L3	2.5

**NOTE:**  
 Rating: DC 12V 50mA  
 Operating Force: 200±100gf  
 Lifetime: 100,000 Cycles

ITEM	PAPT NAMF	TER,NO	QTY	MATERIAL	FINISHING	REMARK
⑤	Terminal	---	3	Brass (0.30t)	ag Plated	---
④	Contact spring	---	1	Beryllium copper	---	---
③	Base	---	1	LCP	---	---
②	Cover	---	1	SUS	Tin plated	---
①	Keystake	---	1	PA46	---	---

MARK	DESCRIPTION	DATE	REVISED	APPROVED	UNSPECIFIED TOLERANCES	DSND	DATE	SCALE: N/A	MODEL TYPE: SLIDE SWITCH
ΔX					ANGLAR ±5°	DWN	DATE	VIEW:	PART NO.:
ΔX					L ≤ 4 ±0.2	CHKD	DATE	UNIT: mm	DWG NO.:
ΔX					4 < L ≤ 16 ±0.3	APPD	DATE	SIZE: A4	SK-3296S-01-X
					16 < L ≤ 63 ±0.4				WEIGHT
					L > 63 ±0.5				1.0g
									SHEET
									1/1
									REVISION
									A0