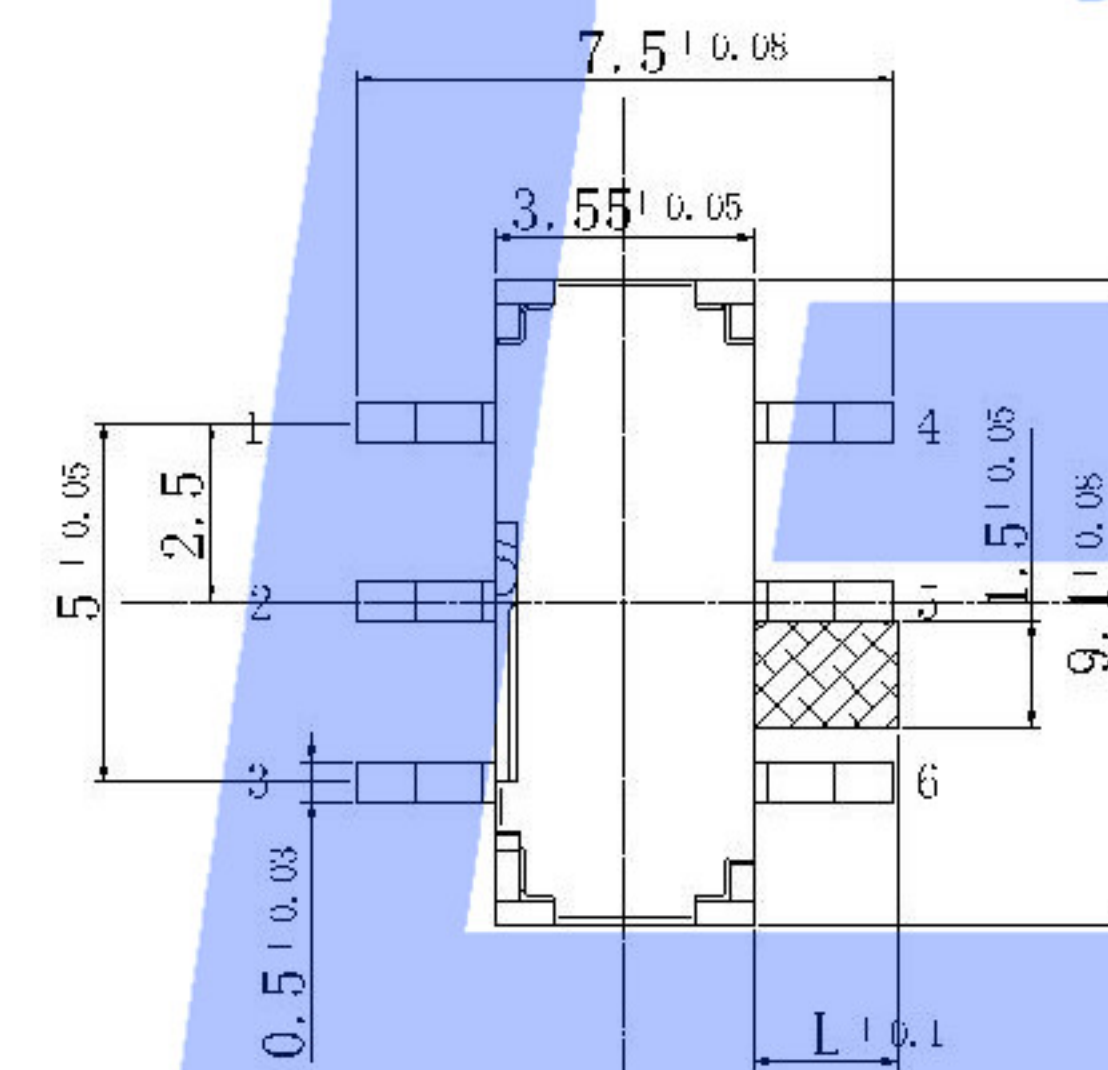
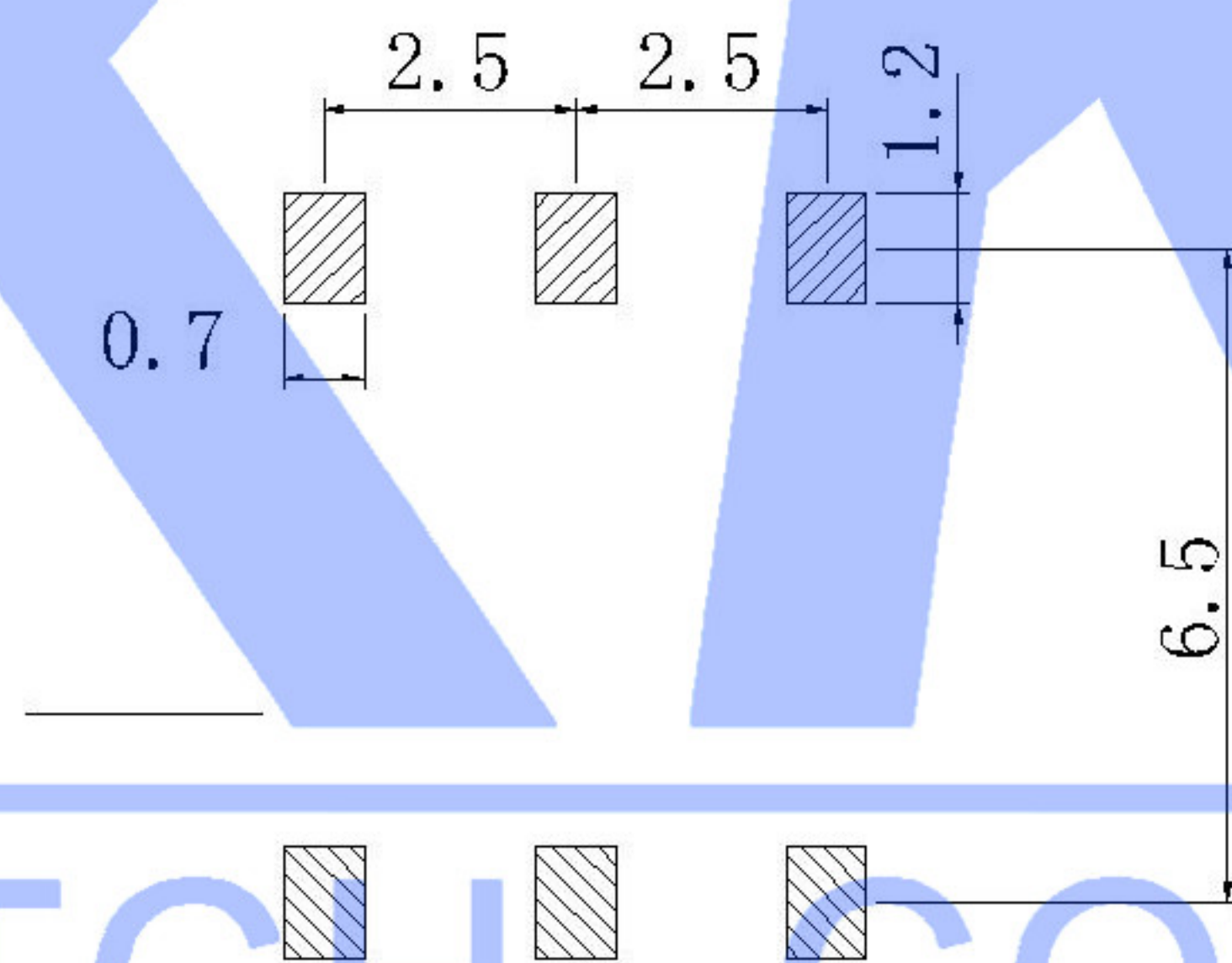
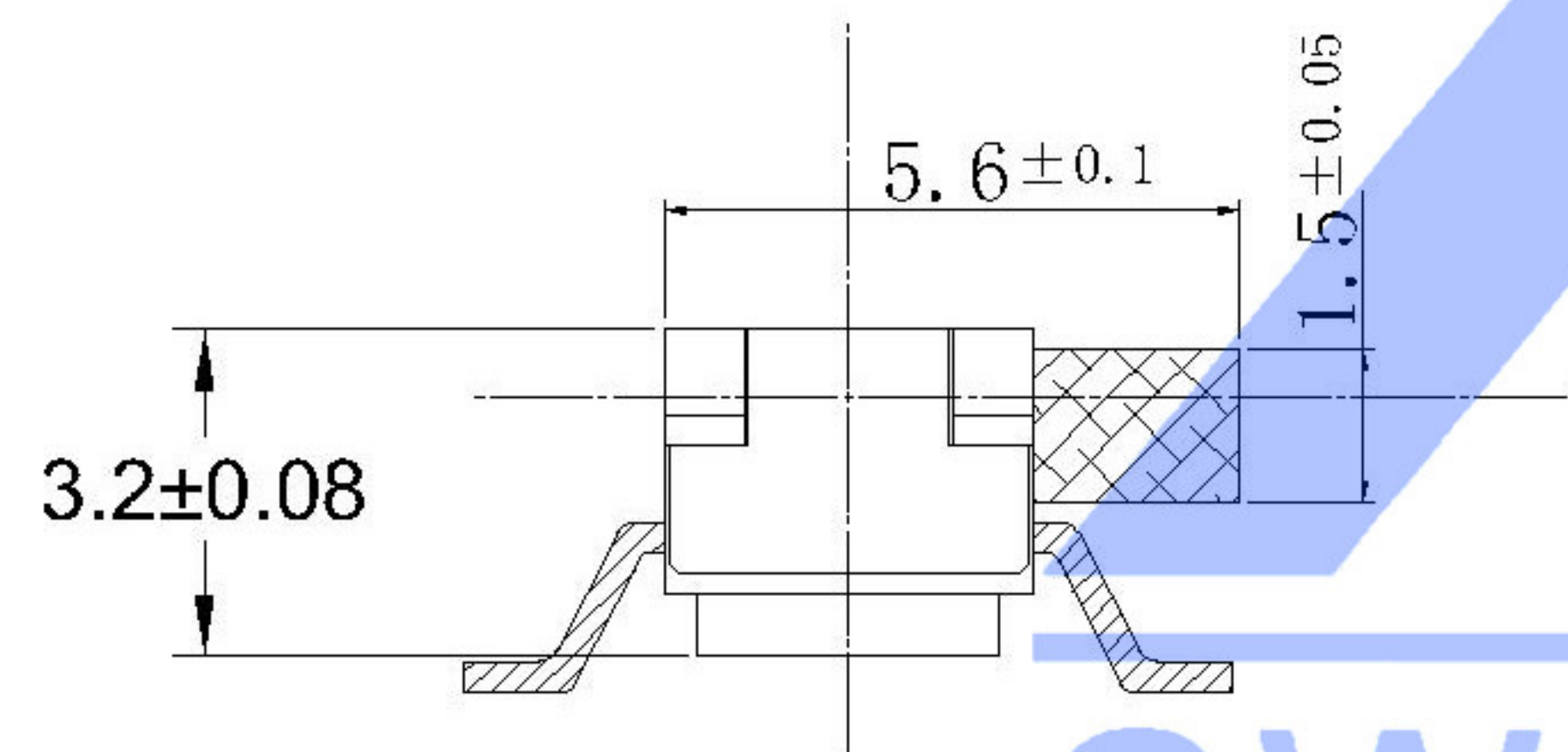


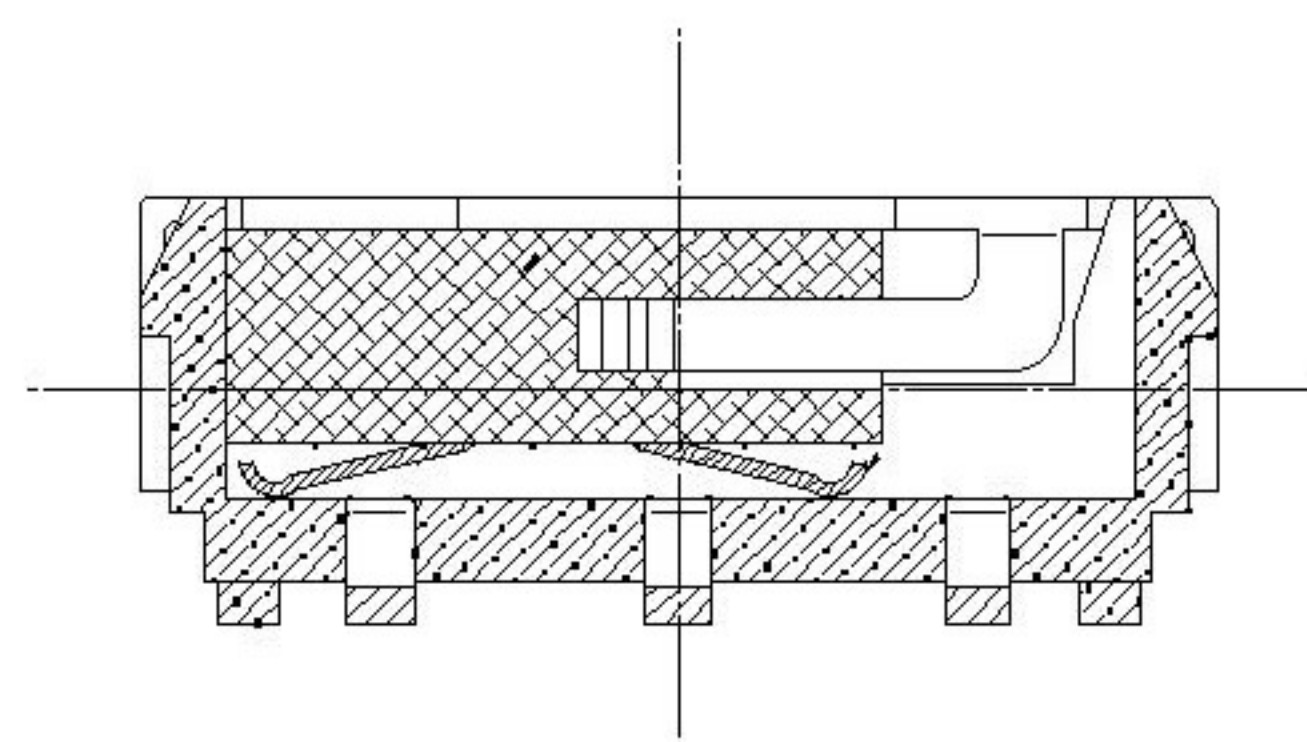
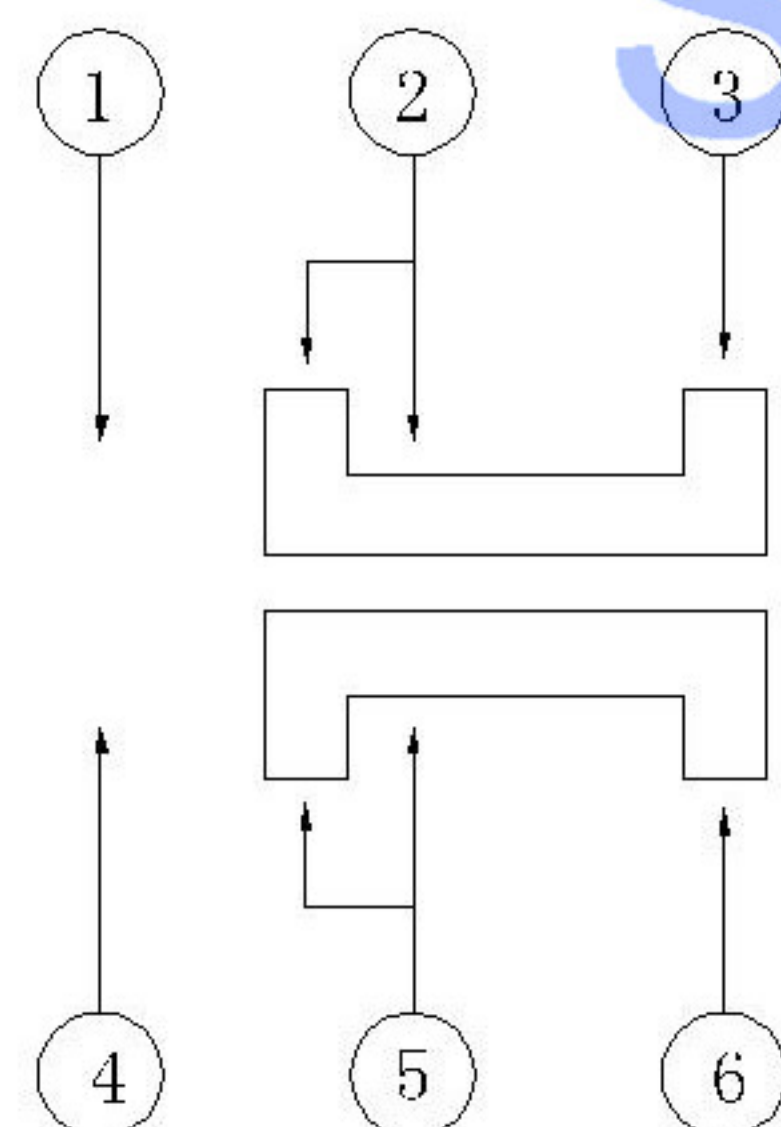
A



B

NOTE:
 Rating: DC 12V 50mA
 Operating Force: 200±100gf
 Lifetime: 100,000 Cycles

PAPT NO	L	foot	
SK-3245S-L1-X	L1:2.0	A	B
SK-3245S-L2-X	L2:2.5	A	B
SK-3245S-L3-X	L3:3.0	A	B
SK-3245S-L4-X	L4:4.0	A	B



ITEM	PAPT NAMF	TER.NO	QTY	MATERIAL	FINISHING	REMARK
⑤	Terminal	---	6	Brass (0.30t)	ag Plated	---
④	Contact spring	---	1	Beryllium copper	---	---
③	Base	---	1	LCP	---	---
②	Cover	---	1	SUS	Tin plated	---
①	Keystake	---	1	PA46	---	---

MARK	DESCRIPTION	DATE	REVISED	APPROVED	UNSPECIFIED TOLERANCES
ΔX					ANGULAR ±5°
ΔX					L ≤ 4 ±0.2
ΔX					4 < L ≤ 16 ±0.3
					16 < L ≤ 63 ±0.4
					L > 63 ±0.5

DSND		DATE		SCALE: N/A	MODEL TYPE: SLIDE SWITCH	
DWN		DATE		VIEW:	PART NO.:	
CHKD		DATE		UNIT: mm	DWG NO.: SK-3245S-X-X	
APPD		DATE		SIZE: A4		
XKB INDUSTRIAL PRECISION CO.,LIMITED				WEIGHT	SHEET	REVISION
				1.0g	1/1	A0