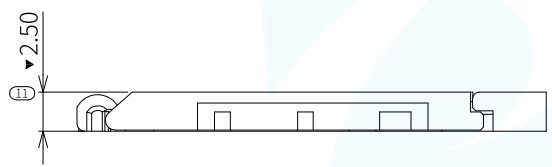
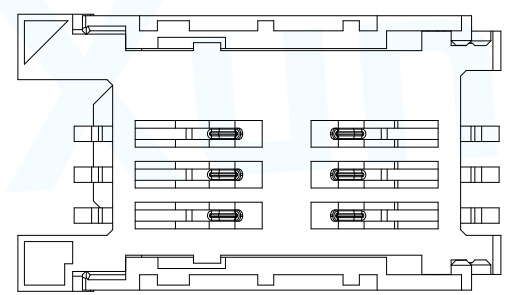
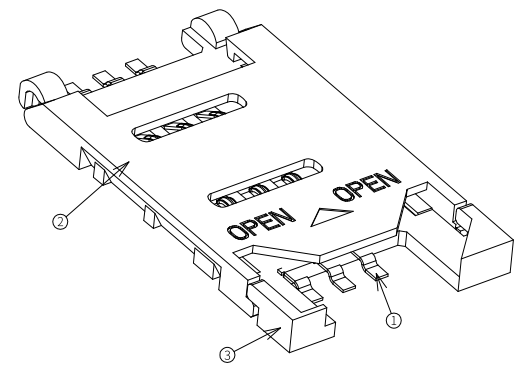
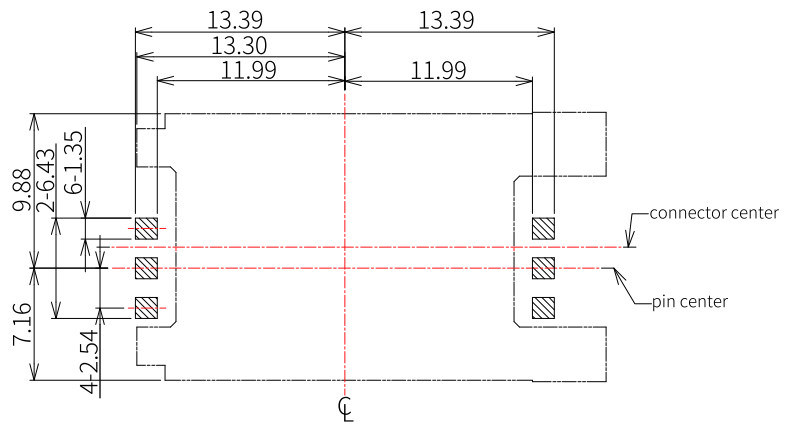


NOTES:

- 1.MATERIAL:
HOUSING: THERMOPLASTIC,UL 94V-0,COLOR:BLACK
CONTACT: COPPER ALLOY
- 2.FINISH
CONTACT: GOLD FLASH
SOLDER AREA: TIN 100u" MIN
- 3.SOLDER-ABILITY
IR REFLOW: 250°C,5SEC. MAX
MANUAL SOLDERING: 350°C,3SEC. MAX



NO.	NAME	Q'TY	MATERIAL	FINISH
1	Housing	1	Thermoplastic , UL 94v-0, Color:Black	
2	Cover	1	Thermoplastic , UL 94v-0, Color:Black	
3	Contact	6	Copper Alloy	Gold Flash



MANUFACTURE DWG		 东莞市讯普电子科技有限公司 DongGuan XunPu Electronics Co.,Ltd			
UNLESS OTHERWISE SPECIFIED TOLERANCES			TITLE:MINI SIM卡座		
DECIMALS:	ANGLES:		PAR	SIM-108S-ARP6	
X:±0.5	X°:±2°		DWN	Seven	2017.06.13
X.X:±0.3	X.X°:±1°		CHKD		
X.XX:±0.2	X.XX°:±0.5°	APVD	SCALE 1:1	UNIT: mm	
CUSTOMER COPY		SIZE:A4	SHEET:1F1	REV:A	