

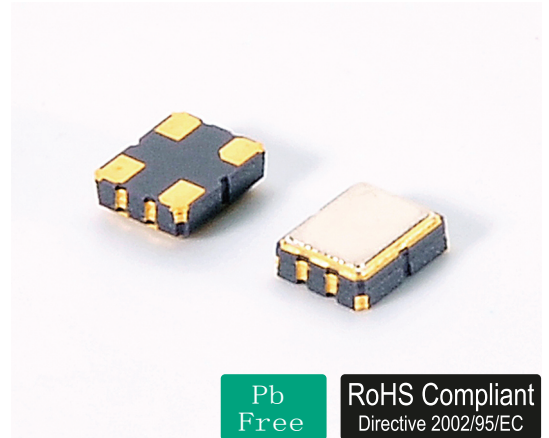
# 3.2x2.5 SMD OSCILLATOR

## FEATURE

- Tight frequency tolerance.
- CMOS compatible logic levels.
- Pin-compatible with standard 3.2×2.5mm packages.
- Designed for standard reflow and washing techniques.
- Low power standby mode.
- Available on tape & reel, 1000pcs per reel.
- Pb-free and RoHS/Green compliant.

## APPLICATIONS

- Ideally suited designed for use in Ethernet, network adapter cards, hard disk devices, blue tooth, PCMCIA Cards, Palmtop Computer, Portable Applications.

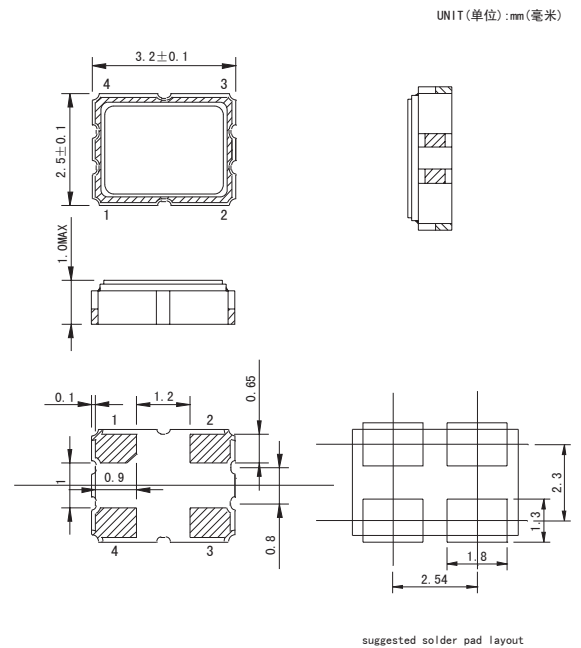


## Electrical Specifications 电气参数

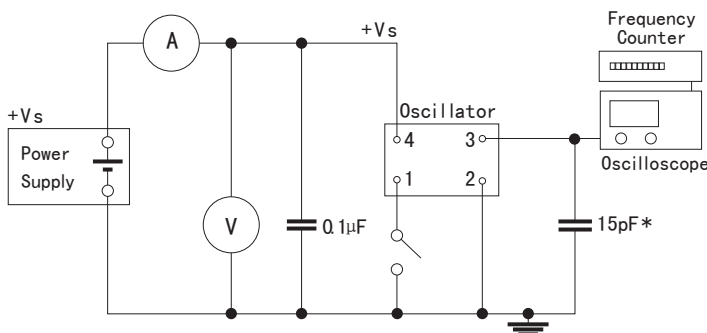
型号	Holder Type	3.2x2.5mm SMD OSCILLATOR
频率范围	Frequency Range	32.768KHz, 1.000 Mhz to 125.000 MHz
总频差	Frequency Stability	±20ppm to ±50ppm
输入电压	Supply Voltage	5.0V or 3.3V ±10%※(See Notes)
工作温度范围	Operating Temperature Range	-10°C - +60°C to -40°C - +85°C
储存温度范围	Storage Temperature Range	-40°C - +85°C/-55°C - +125°C
占空比	Symmetry (Duty Cycle)	40/60 Standard
输出	Output Load	15pF Hcmos or 10 TTL
消耗电流	Current Consumption (15pf only)	1.000Mhz - 49.999Mhz=25mA max
	(5.0V)	50.000Mhz - 125.000Mhz=80mA max
	Current Consumption (15pf only)	1.000Mhz - 49.999Mhz=20mA max
	(1.8V 2.5V 2.85V 3.3V)	50.000Mhz - 125.000Mhz=60mA max
上升/下降时间	Rise/Fall Time	5 nS max

※Notes: The supply voltage 1.8V, 2.5V, 2.85V also can be made by customer.

## Mechanical Dimensions 外型尺寸



## Test Circuit(测试电路)



PIN	FUNCTION
1	N/C or Tri-state
2	Ground
3	Output
4	Vdd