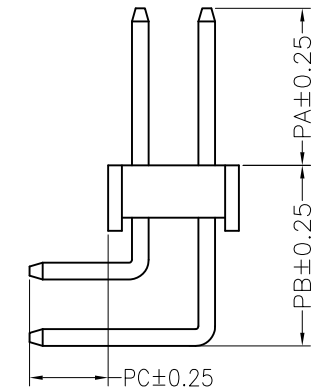
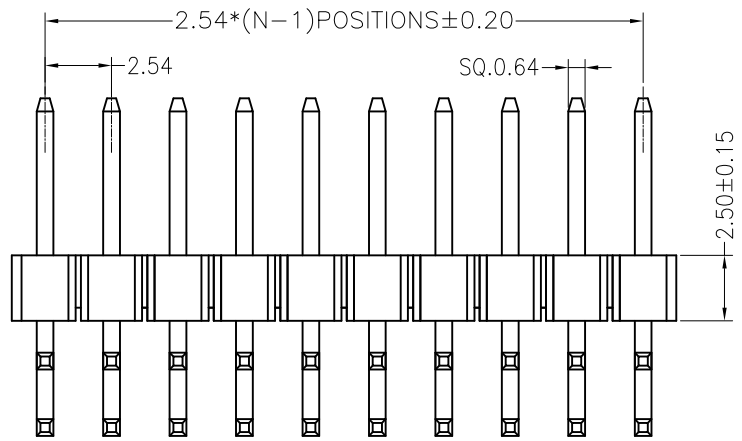
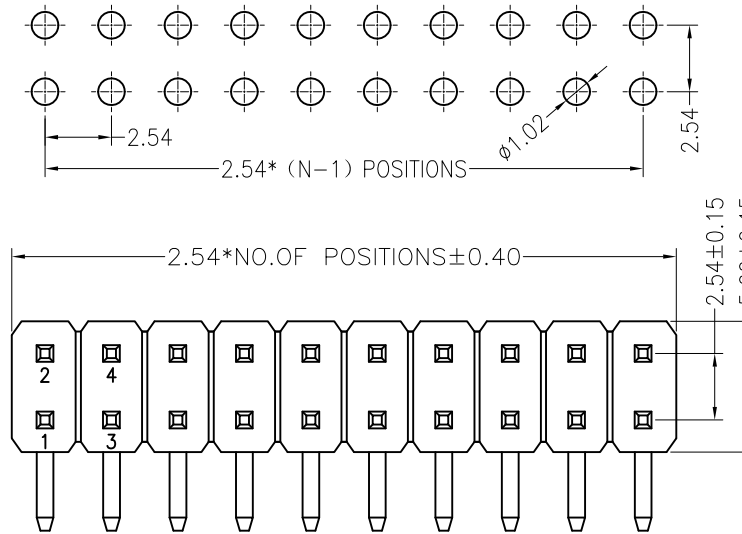


NOTES:

Voltage Rating:250V AC/DC
 Current Rating:3.0A AC/DC
 Dielectric Withstand Voltage:500V AC/minute
 Contact Voltage:20M Max.
 Insulation Voltage:1000M Min
 Operation temperature:-40 °C to +105 °C
 Insulator Material:Polyester.Ul94V-0
 Contact Material:Brass
 Contact Plating:AuorSn Plated on Nickel Overall

Recommended P.C.B Layout
 P.C.B Board Tolerance±0.05



塑胶高度可选 (mm)				常用
H	1.0	1.5	2.0	2.54

Dimension antitheses list				
item	PA	PB	PC	L
Standard	6.00	6.90	3.00	13.80/18.80
Alternate	---	---	---	---

AO	VER	MODIFICATION	DRAW	DATE
----	-----	--------------	------	------

TOLERANCE UNLESS OTHERWISE				DRAWN	CK tan
X.	±0.30	X°	±5°	CHKD	
.X	±0.20	.X°	±2°	APPD	
.XX	±0.08	.XX°	±1°	VIEW	⊕
.XXX	±0.03	.XXX°	±0.5°		

XFCN 兴飞连接器有限公司		SHEET	1/1
CONNECTORS XFCN CONNECTORS CO., LTD.		DATE	2010. 4. 12
PRODUCT NAME	2.54mm Pin Header Connectors	UNITS	mm
PART. NO.	PZ254R-12-XX	SCALE	1:1
		DWG. NO.	009

VER	MODIFICATION	DRAW	DATE
-----	--------------	------	------