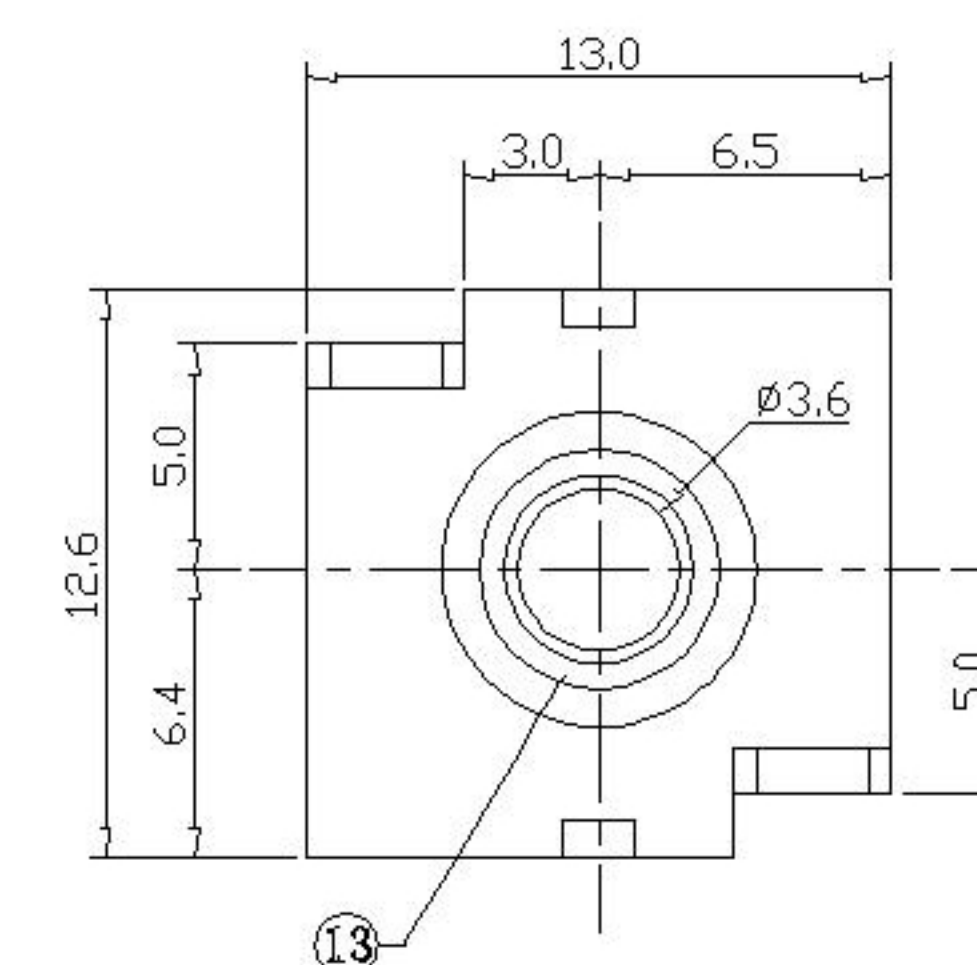
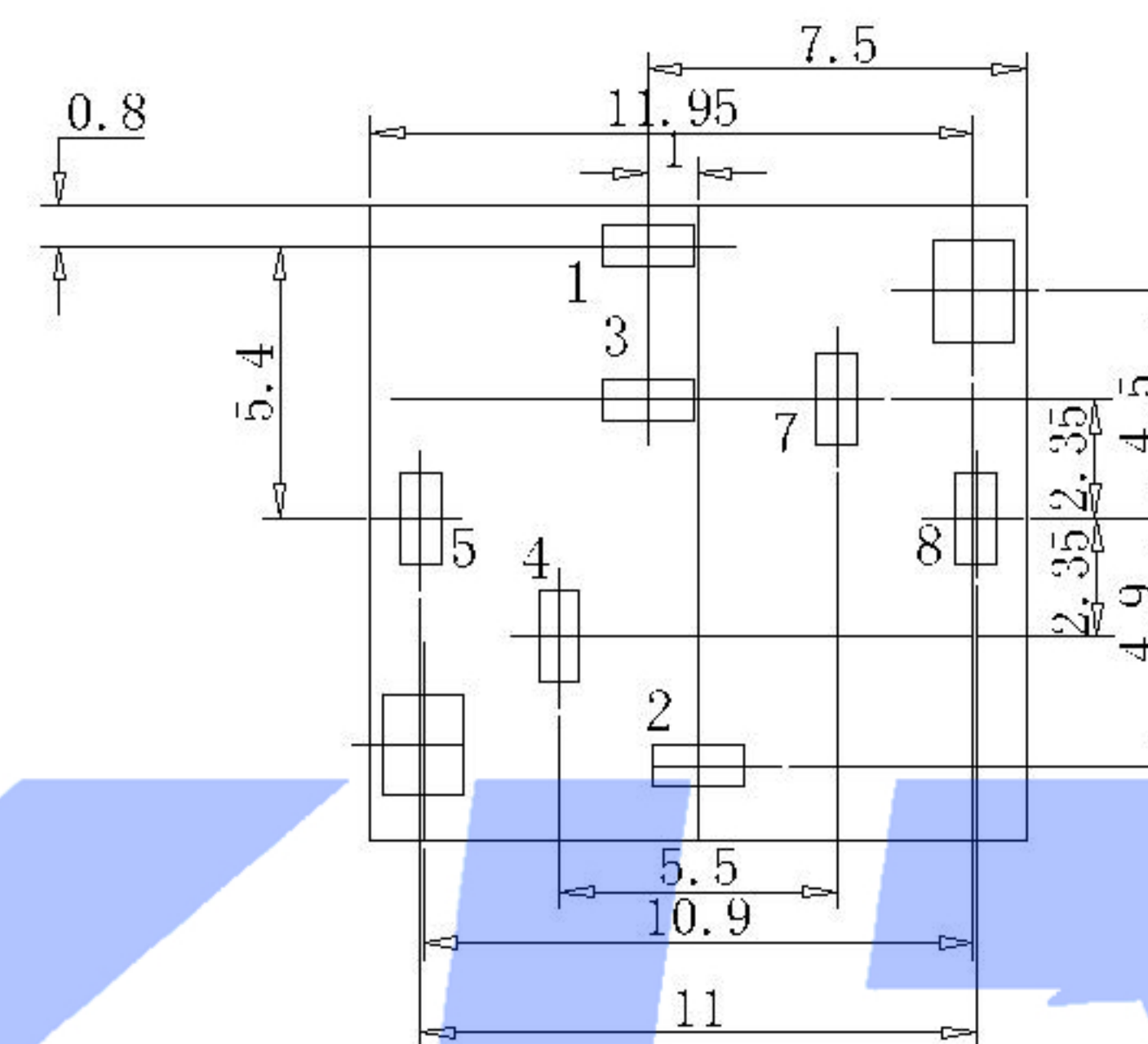
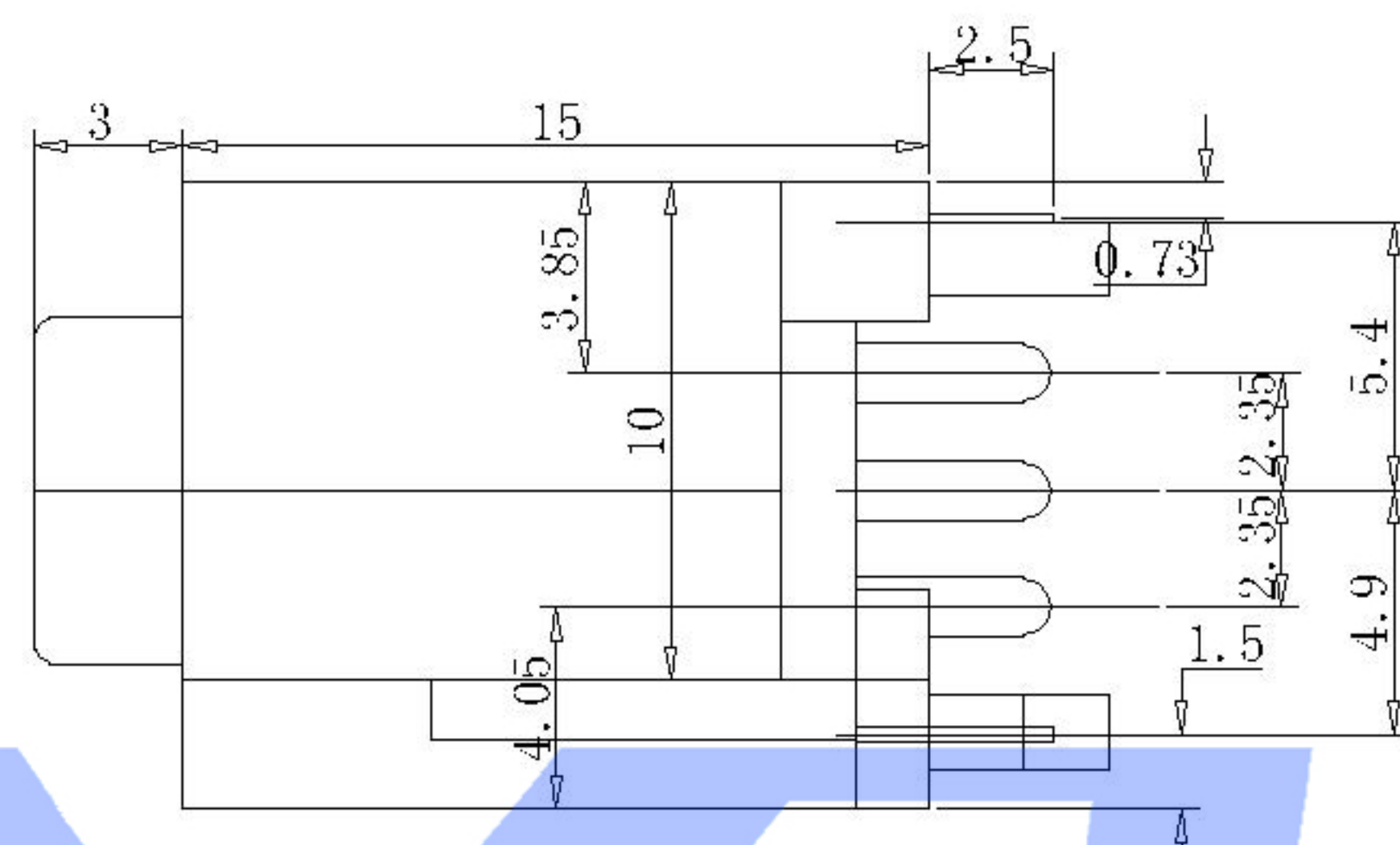


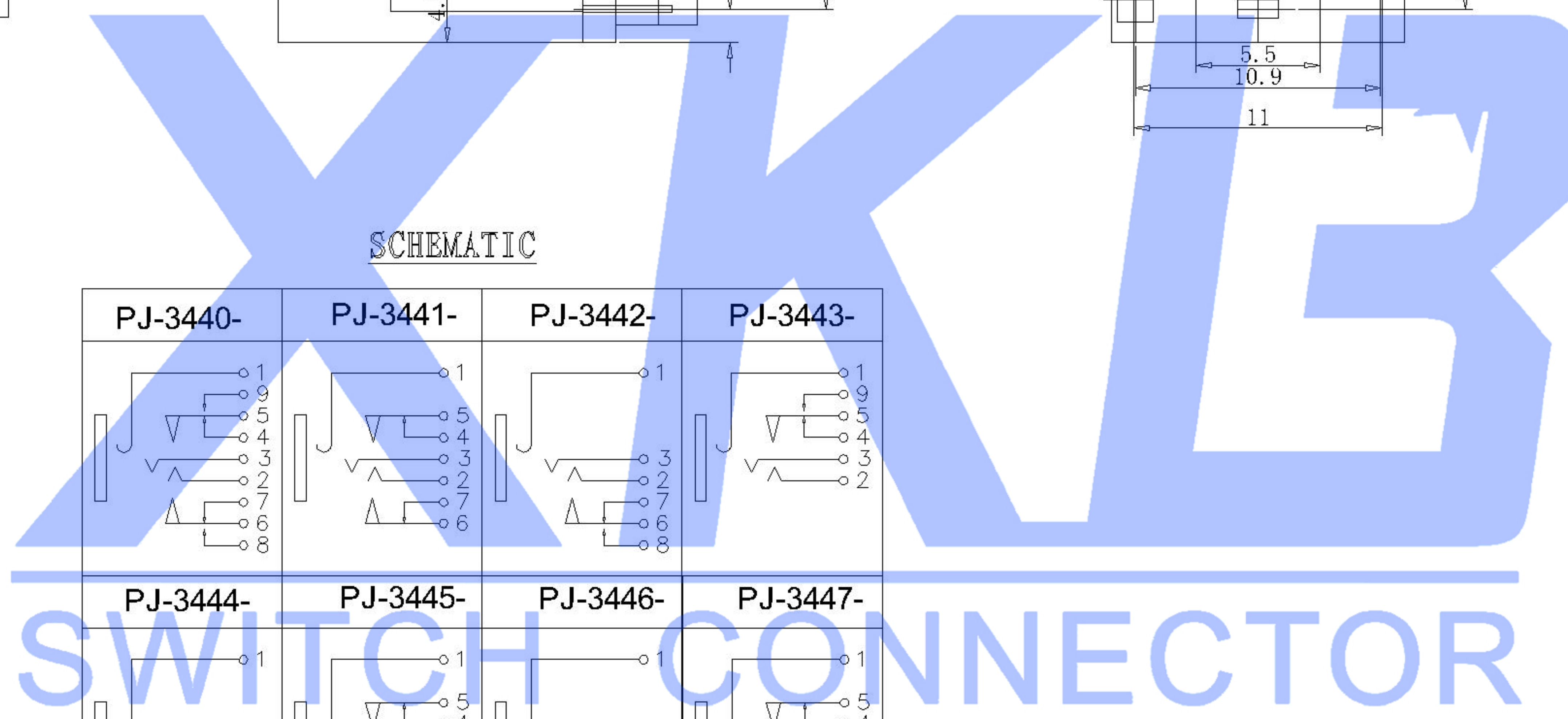
PJ-344X-1



PJ-344X-2
copper sleeve

SCHMATIC

<p>PJ-3440-</p>	<p>PJ-3441-</p>	<p>PJ-3442-</p>	<p>PJ-3443-</p>
<p>PJ-3444-</p>	<p>PJ-3445-</p>	<p>PJ-3446-</p>	<p>PJ-3447-</p>



	MATERIAL	PLATING
terminal 1	copper all oy	silver
terminal 2	copper all oy	silver
terminal 3	copper all oy	silver
terminal 4	copper all oy	silver
plastic	PA10T	

ΔX					ANGLAR	±5°	DSND		DATE	SCALE: N/A	MODEL TYPE: 3.5 PHONE JACK		
ΔX					L ≤ 4	±0.2	DWN		DATE	VIEW:	PART NO.:		
ΔX					4 < L ≤ 16	±0.3	CHKD		DATE	UNIT: mm	DWG NO.:		
MARK	DESCRIPTION	DATE	REVISED	APPROVED	16 < L ≤ 63	±0.4	APPD		DATE	SIZE: A4	PJ-344X-X		
					L > 63	±0.5					WEIGHT	SHEET	REVISION
					UNSPECIFIED TOLERANCES		XKB INDUSTRIAL PRECISION CO., LIMITED				1.0g	1/1	A0