

规格书
Specification

品名
Model name

HNR-1707
C129400

PROPRIETARY
Huaneng Electronic co.,Ltd.

CONFIDENTIAL
Huaneng Electronic co.,Ltd.

| | |
|----------------|--|
| Version # | Spec V1.0 |
| 制作日期 Date | 2017/08/29 |
| 准备 Prepared | Yang shu yin Acoustic specialist,R&D Dept. |
| 审核 Approved | Zhang chang hua Executive Manager,R&D Dept. |



江苏华能电子有限公司

Components Operating Div.
Huaneng Electronic co.,Ltd.

1.适用范围：本规范适用于HNR-1707 蜂鸣器。

This specifications apply the HNR-1707 buzzer.

2.基本规格/General specification

| 项目/Item | 规格/Spec | 条件/Condition | |
|---------|---|--------------|--|
| 1 | 额定电压 Rated voltage | 3VDC | |
| 2 | 工作电压 Operation voltage | 1~30VAC | |
| 3 | 声压 Sound Pressure Level=SPL | ≥ 80dB | |
| 4 | 振荡频率 Oscillation frequency | 4000±500Hz | |
| 5 | 电流 Rated Current | ≤5mA | |
| 6 | 工作温度范围 Range of operation temperature | -20~+70℃ | 声压 ≥85dB SPL ≥85dB |
| 7 | 保存温度范围 Range of preservation temperature | -30~+80℃ | |
| 8 | 针脚强度 Terminal strength | 10N | 拉负荷方向的终端轴 Pull load on the direction of the terminal axis |
| 9 | 外部尺寸 Externals size | Φ17x7 | 参阅附图 Refer to the attached drawing |
| 10 | 重量 Mass | 1.0g | |

☆标准状态：常温（15~35℃），湿度（25~85%相对湿度），空气压力（860~1060hpa）

在假设的情况判断，测试是一基本状态下进行。

Standard State: Ordinary Temp(15~35℃), Humidity(25~85%RH), Air pressure(860~1060hPa)

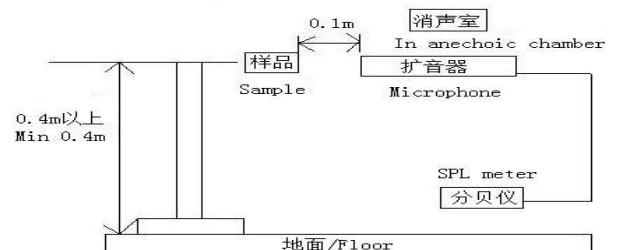
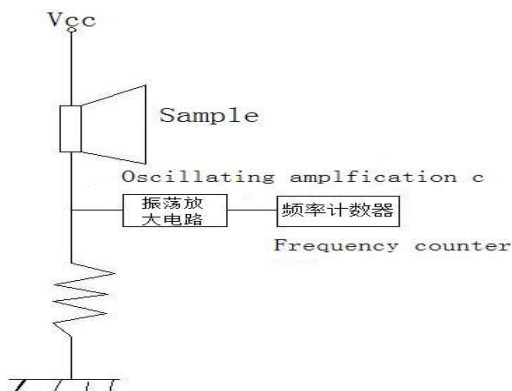
In case of doubtful judgment, the test is re-performed under Basic State.

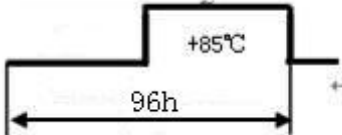
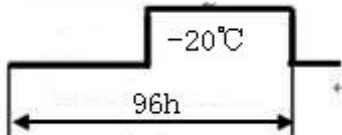
☆基本情况：温度。（20±2℃），湿度（60~70%相对湿度），空气压力（860~1060hpa）

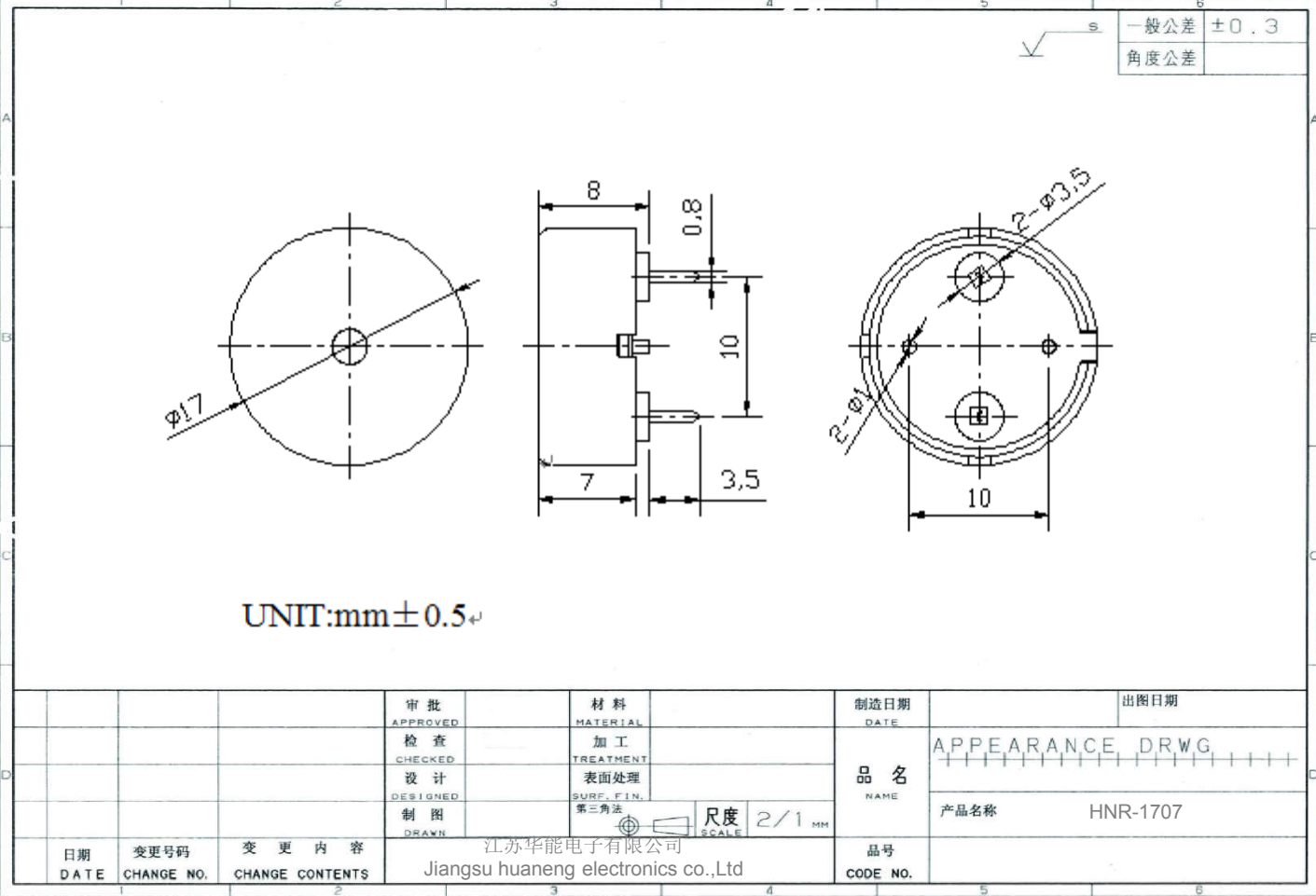
Basic State: Temp.(20±2℃), Humidity(60~70%RH), Air pressure(860~1060hPa)

<标准驱动电路>/<Standard Drive Circuit>

<标准测试治具>/<Standard Test Fixture>



| 项目/Item | 试验条件/Test condition | 判断标准/Criteria | 引用规格 |
|---|---|---|------|
| 1 高温保存试验 High temperature Preservation | +85℃环境下放置24小时 Exposure to +85℃ for 24 hrs. | 经过测试,符合规格,没有任何不合格的外观和性能 After the test the part shall meet specifications without any degradation. | |
| 2 低温保存试验 Low temperature preservation | -20℃环境下放置24小时 Exposure to -20℃ for 24 hrs. | | |
| 3 高温试验 High temperature Shock |  | | |
| 4 低温试验 Low temperature Shock |  | | |
| 5 常温寿命试验 Ordinary Temp. Life | 常温 (25℃ ± 10℃) 电压3VDC连续测试48小时 Driving the sounder at 3VDC for 48hrs in the room temperature (25℃ ± 10℃) | | |
| 6 高温寿命试验 High Temp. Life | 高温 (+85℃) 电压3VDC连续测试2小时 Driving the sounder at 3VDC for 2hrs in the low temperature (+85℃) | | |
| 7 低温寿命试验 Low Temp. Life | 低温 (-20℃) 电压3VDC连续测试2小时 Driving the sounder at 3VDC for 2hrs in the low temperature (-20℃) | | |
| 8 端子拉力试验 Lead strength | 10N的拉力在端子上拉10 ± 1秒 Pull load on the direction of the terminal axis for 10 ± 1 sec. | | |
| 9 跌落试验 Free drop | 70cm高自由掉落到厚40mm的木板上,每个方向一次 Free drop, 70cm height, on wood board (t40mm) X, Y, Z 3Direction 1time each, total 3times. | 排除弯曲的针 Exclude bending of Pin | |
| 10 端子可焊性试验 Solderability | 260 ± 5℃焊接温度。时间: 5 ± 0.5sec。 Temp. 260 ± 5℃ Soaking Time: 5 ± 0.5sec | 端子95%必须覆盖着焊料 95% surface of lead pins must be covered with fresh solder and no soldering holes should be found | |



产品特征图:

