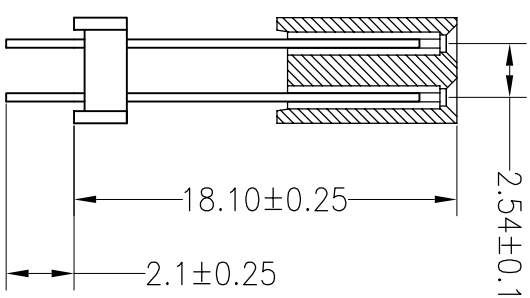
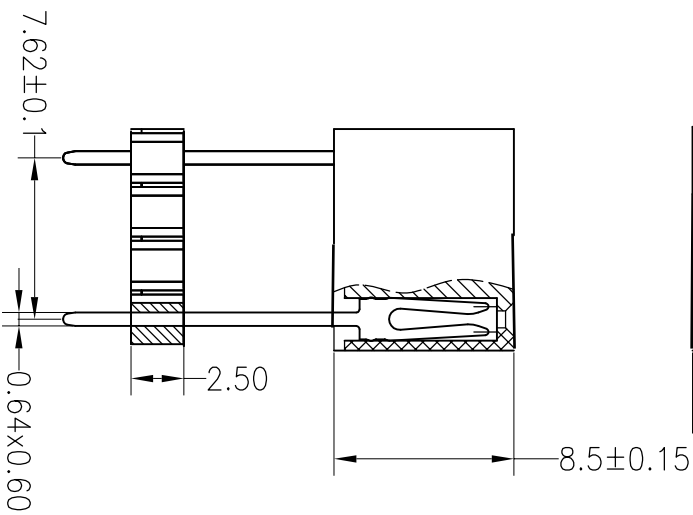
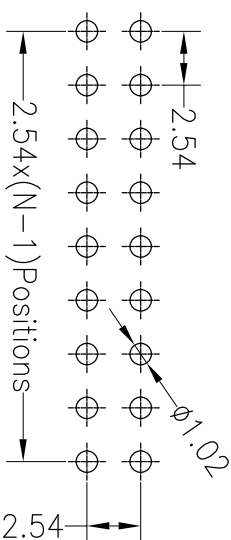
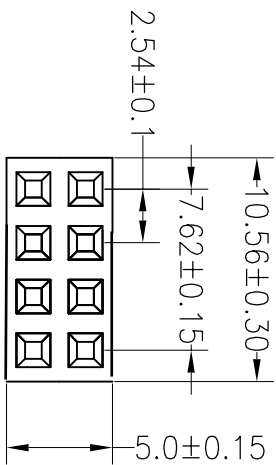


RoHS

SPECIFICATIONS

Rated Current:3.0AMP
 Contact Resistance:20mΩ Max
 Withstand Voltage:1000V AC/DC
 Insulation Resistance:1000MΩ Min
 Operation Temperature:-40°c to +105°c
 Contact Material:Brass
 Contact Plating:Au Over Ni
 Insulator Material:Polyester(UL94V-0)
 Standard: PA6T
 Max.Processing Temp: 230°C for 30-60 seconds
 (260°C for 10 seconds)

Recommended P.C.B Layout(Top Side)
 (PCB BOARD TOLERANCE±0.05)



深圳市连盛精密连接器有限公司

PART NO. FH-00146

TITLE: 2.54FH 2H=8.5+2.5 2x4pin 空3-6P

REV	DATE	MODIFICATION DESCRIPTION	CHANGE	OPERATION		DRAW	SCALE		FIT	PART NO.
				X.X	±0.30		UNIT	mm		
A0	2012.03.28	NEW DRAWING		X.XX	±0.20	CHECK	SIZE	A4	1/1	FH-00146
				X.XXX	±0.10		SHEET	1/1		
				Angle	±3°	APPROVE	PROJ.			
1				DIM	TOL					