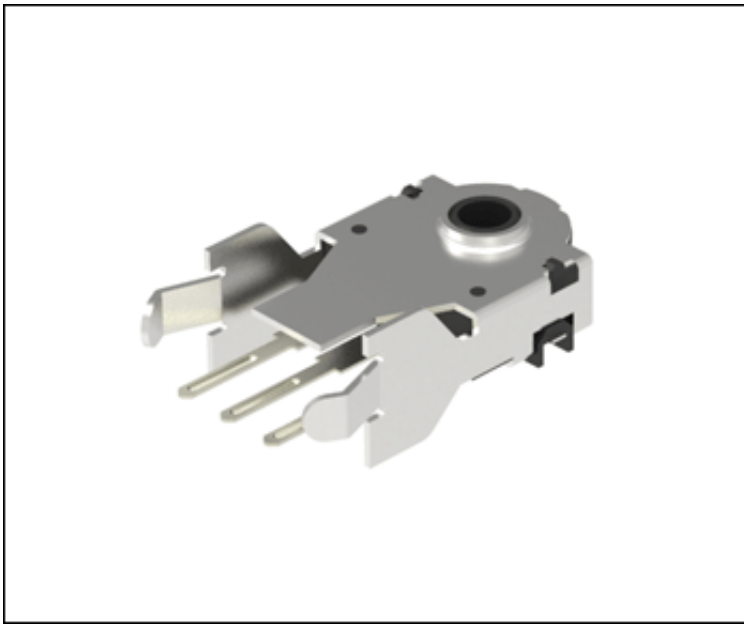


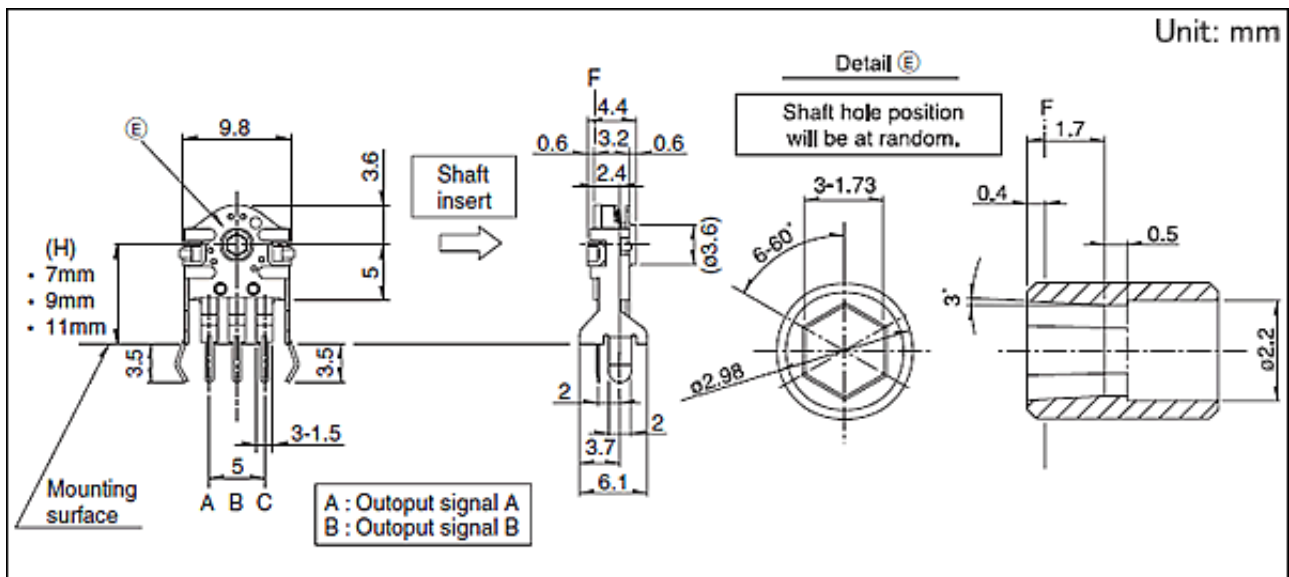
10mm Size Hollow Shaft Type EC10E Series

| | | |
|-----------------------------|-----------------------|---------------------|
| Part number | EC10E1220503 | |
| Detent torque | 5±3mN·m | |
| Mount height | 11mm | |
| Number of detent | 24 | |
| Number of pulse | 12 | |
| Operating direction | Horizontal | |
| Operating temperature range | -5°C to +45°C | |
| Electrical performance | Ratings | 1mA 5V DC |
| | Output signal | Two phase A and B |
| | Insulation resistance | 50MΩ min. 50V DC |
| | Voltage proof | 50V AC for 1 minute |
| Durability | Operating life | 100,000 cycles |
| Minimum order unit (pcs.) | Japan | 1,600 |
| | Export | 3,200 |

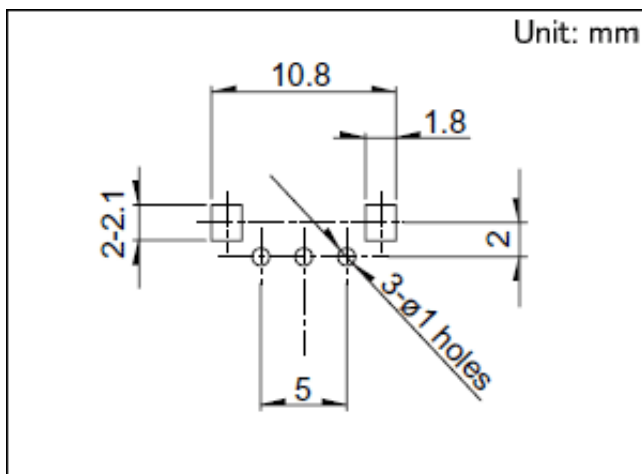
Photo



Dimensions

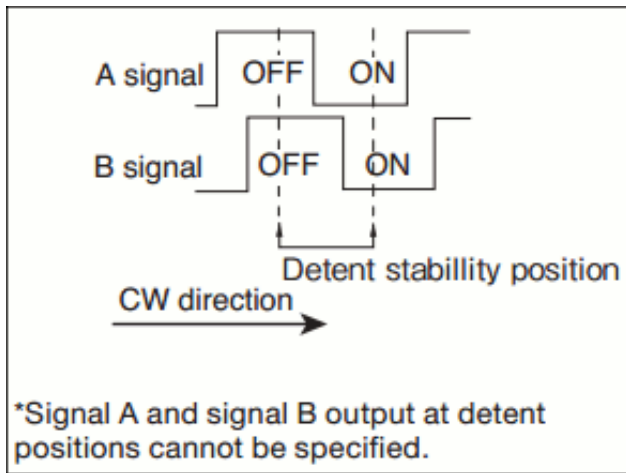


Mounting Hole Dimensions

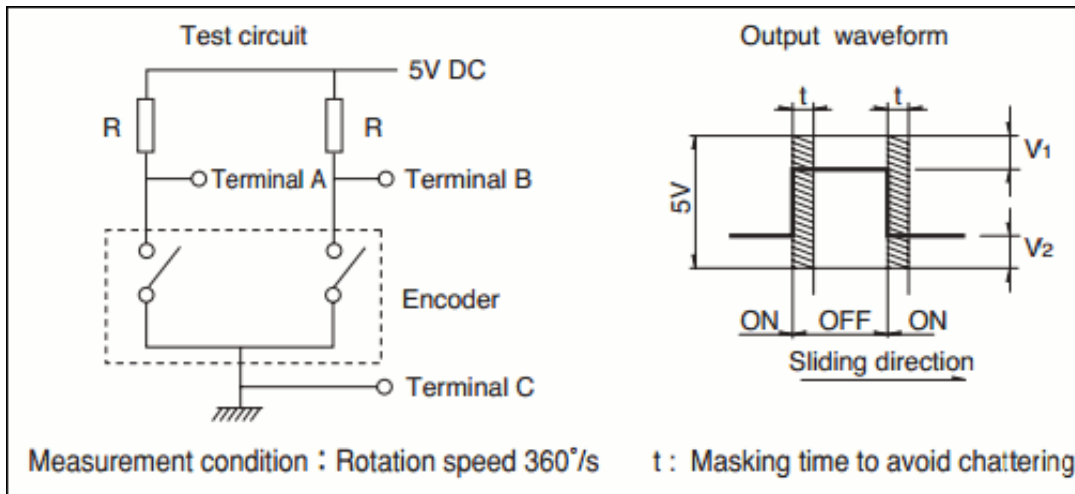


Viewed from mounting side

Output Wave



Sliding Noise



V1=V2=2.5V max.

At R = 10kΩ Chattering : 5ms max. Bounce : 5ms max.

Packing Specifications

Bulk

| | | |
|----------------------------------|-------------------------|-------|
| Number of packages (pcs.) | 1 case / Japan | 1,600 |
| | 1 case / export packing | 3,200 |
| Export package measurements (mm) | 270×360×155 | |

Soldering Conditions

Reference for Dip Soldering

| | | |
|---------------|------------------------------|-------------|
| Preheating | Soldering surfacetemperature | 100°C max. |
| | Heating time | 1 min. max. |
| Dip soldering | Soldering temperature | 260±5°C |
| | Soldering time | 3±1s |

| | |
|----------------|-------------|
| No. of solders | 2 time max. |
|----------------|-------------|

Reference for Hand Soldering

| | |
|-----------------|------------|
| Tip temperature | 350°C max. |
|-----------------|------------|

| | |
|----------------|---------|
| Soldering time | 3s max. |
|----------------|---------|

| | |
|----------------|--------|
| No. of solders | 1 time |
|----------------|--------|

Notes are common to this series/models.

1. This site catalog shows only outline specifications. When using the products, please obtain formal specifications for supply.
2. Please place purchase orders per minimum order unit (integer).
3. This products can be used in vehicles.
Although these products are designed to perform over a wide operating temperature range, please ensure that you receive and read the formal delivery specifications before use.