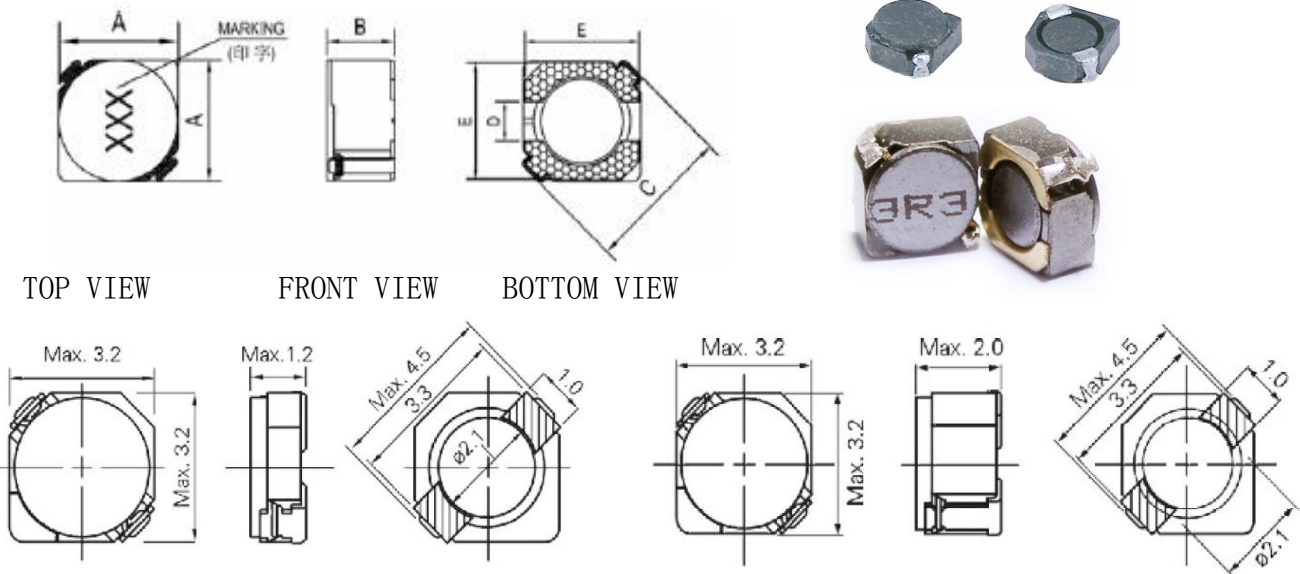


● EXTERNAL DIMENSIONS UNIT: mm (外形尺寸)



CSMRI2D11

CSMRI2D18

PART NO.	A	B	C	Ref.
CSMRI2D11	如上图所示			
CSMRI2D18	如上图所示			
CSMRI3D11	3.8±0.3	1.3 MAX	5.5 MAX	1.2
CSMRI3D16	3.8±0.3	1.8 MAX	5.5 MAX	1.2
CSMRI3D28	3.8±0.3	3.0 MAX	5.5 MAX	1.2
CSMRI4D18	4.8±0.3	2.0 MAX	6.9 MAX	1.5
CSMRI4D28	4.8±0.3	3.0 MAX	6.9 MAX	1.5
CSMRI5D18	5.8±0.3	2.0 MAX	8.2 MAX	2.0
CSMRI5D28	5.8±0.3	3.0 MAX	8.2 MAX	2.0
CSMRI6D18	6.8±0.3	2.0 MAX	9.5 MAX	2.0
CSMRI6D28	6.8±0.3	3.0 MAX	9.5 MAX	2.0
CSMRI6D38	6.8±0.3	4.0 MAX	9.5 MAX	2.0

● PART NUMBERING SYSTEM (品名系统)

CSMRI	4D28	470	K	T
1	2	3	4	5
1、SERIES NAME	品名	C代C.RD. , SMRI指贴片端子镀金屏蔽系列		
2、DIMENSIONS	尺寸	外围*高度		
3、INDUCTANCE	电感值	前两位为有效数字, 第三位表示零的个数		
4、TOLERANCE CODE	公差	J: ±5%, K: ±10%, L: ±15%, M: ±20%, P: ±25%, N: ±30%		
5、PACKING CODE	包装方式	T: Tape&Reel (卷装) B: In Bulk		

● FEATURES (特性)

Various high power inductors are superior to be high saturation for surface mounting.  
具有高功率、高饱和电流, 低阻抗、小型化之特点

● APPLICATIONS (用途)

录影机、0A仪器、数码相机、液晶电视、笔记本电脑、小型通信机器、DC/DC变压器之电源供应等  
\*\*\*\*\*

Design As Customers Requested Specifications 可根据客户需求设计

CSMRI2D11 TYPE

Part Number 型号	Inductance 电感量	L Test Condition L测试条件	Max.DC Resistance 直流电阻	Max.Rated Current 额定电流
Units 单位	UH	Hz,V	Ω	A
Symbol 符号	L <sub>0A</sub>	—	DCR	I <sub>r</sub>
CSMRI2D11-1R2N	1.2±30%	100k,0.3V	0.068	0.90
CSMRI2D11-2R2N	2.2±30%	100k,0.3V	0.098	0.78
CSMRI2D11-3R3N	3.3±30%	100k,0.3V	0.15	0.60
CSMRI2D11-4R7M	4.7±20%	100k,0.3V	0.17	0.50
CSMRI2D11-6R8M	6.8±20%	100k,0.3V	0.26	0.44
CSMRI2D11-100M	10±20%	100k,0.3V	0.40	0.35
CSMRI2D11-150M	15±20%	100k,0.3V	0.65	0.25
CSMRI2D11-220M	22±20%	100k,0.3V	1.00	0.22
CSMRI2D11-330M	33±20%	100k,0.3V	1.60	0.20
CSMRI2D11-470M	47±20%	100k,0.3V	2.00	0.15

CSMRI2D18 TYPE

Part Number 型号	Inductance 电感量	L Test Condition L测试条件	Max.DC Resistance 直流电阻	Max.Rated Current 额定电流
Units 单位	UH	Hz,V	Ω	A
Symbol 符号	L <sub>0A</sub>	—	DCR	I <sub>r</sub>
CSMRI2D18-2R2N	2.2±30%	100k,0.3V	0.041	0.85
CSMRI2D18-3R3N	3.3±30%	100k,0.3V	0.054	0.75
CSMRI2D18-4R7M	4.7±20%	100k,0.3V	0.078	0.63
CSMRI2D18-6R8M	6.8±20%	100k,0.3V	0.106	0.52
CSMRI2D18-100M	10±20%	100k,0.3V	0.18	0.43
CSMRI2D18-150M	15±20%	100k,0.3V	0.22	0.35
CSMRI2D18-220M	22±20%	100k,0.3V	0.32	0.30
CSMRI2D18-330M	33±20%	100k,0.3V	0.46	0.24
CSMRI2D18-470M	47±20%	100k,0.3V	0.66	0.20

CSMRI3D11 TYPE

Part Number 型号	Inductance 电感量	L Test Condition L测试条件	Max.DC Resistance 直流电阻	Max.Rated Current 额定电流
Units 单位	UH	Hz,V	Ω	A
Symbol 符号	L <sub>0A</sub>	—	DCR	I <sub>r</sub>
CSMRI3D11-2R7N	2.7±30%	100k,0.3V	0.078	0.50
CSMRI3D11-4R7M	4.7±20%	100k,0.3V	0.123	0.40
CSMRI3D11-6R8M	6.8±20%	100k,0.3V	0.180	0.34
CSMRI3D11-8R2M	8.2±20%	100k,0.3V	0.204	0.32
CSMRI3D11-100M	10±20%	100k,0.3V	0.240	0.28
CSMRI3D11-120M	12±20%	100k,0.3V	0.276	0.25
CSMRI3D11-150M	15±20%	100k,0.3V	0.372	0.23
CSMRI3D11-180M	18±20%	100k,0.3V	0.468	0.21
CSMRI3D11-220M	22±20%	100k,0.3V	0.540	0.19
CSMRI3D11-270M	27±20%	100k,0.3V	0.726	0.17
CSMRI3D11-330M	33±20%	100k,0.3V	0.822	0.15
CSMRI3D11-390M	39±20%	100k,0.3V	0.942	0.14

CSMRI3D16 TYPE

Part Number 型号	Inductance 电感量	L Test Condition L测试条件	Max.DC Resistance 直流电阻	Max.Rated Current 额定电流
Units 单位	UH	Hz,V	Ω	A
Symbol 符号	L <sub>0A</sub>	—	DCR	I <sub>r</sub>
CSMRI3D16-1R5N	1.5±30%	100k,0.3V	0.052	1.55
CSMRI3D16-2R2N	2.2±30%	100k,0.3V	0.072	1.20
CSMRI3D16-3R3N	3.3±30%	100k,0.3V	0.085	1.10
CSMRI3D16-4R7M	4.7±20%	100k,0.3V	0.105	0.90
CSMRI3D16-6R8M	6.8±20%	100k,0.3V	0.170	0.73
CSMRI3D16-100M	10±20%	100k,0.3V	0.210	0.55
CSMRI3D16-150M	15±20%	100k,0.3V	0.295	0.45
CSMRI3D16-220M	22±20%	100k,0.3V	0.430	0.40
CSMRI3D16-330M	33±20%	100k,0.3V	0.660	0.32
CSMRI3D16-470M	47±20%	100k,0.3V	0.730	0.25
CSMRI3D16-680M	68±20%	100k,0.3V	0.860	0.21
CSMRI3D16-101M	100±20%	100k,0.3V	1.130	0.13

CSMRI3D28 TYPE

Part Number 型号	Inductance 电感量	L Test Condition L测试条件	Max.DC Resistance 直流电阻	Max.Rated Current 额定电流
Units 单位	UH	Hz,V	Ω	A
Symbol 符号	L <sub>0A</sub>	-	DCR	I <sub>r</sub>
CSMRI3D28-3R3N	3.3±30%	100k,0.3V	0.0721	2.00
CSMRI3D28-4R7M	4.7±20%	100k,0.3V	0.0883	1.65
CSMRI3D28-6R8M	6.8±20%	100k,0.3V	0.119	1.24
CSMRI3D28-100M	10±20%	100k,0.3V	0.145	1.35
CSMRI3D28-150M	15±20%	100k,0.3V	0.213	0.90
CSMRI3D28-220M	22±20%	100k,0.3V	0.335	0.76
CSMRI3D28-330M	33±20%	100k,0.3V	0.481	0.58
CSMRI3D28-470M	47±20%	100k,0.3V	0.599	0.48
CSMRI3D28-680M	68±20%	100k,0.3V	0.630	0.36
CSMRI3D28-101M	100±20%	100k,0.3V	0.723	0.28
CSMRI3D28-151M	150±20%	100k,0.3V	0.862	0.22
CSMRI3D28-221M	220±20%	100k,0.3V	1.120	0.12

CSMRI4D18 TYPE

Part Number 型号	Inductance 电感量	L Test Condition L测试条件	Max.DC Resistance 直流电阻	Max.Rated Current 额定电流
Units 单位	UH	Hz,V	Ω	A
Symbol 符号	L <sub>0A</sub>	-	DCR	I <sub>r</sub>
CSMRI4D18-1R0N	1.0±30%	100k,0.3V	0.0450	1.72
CSMRI4D18-2R2N	2.2±30%	100k,0.3V	0.0750	1.32
CSMRI4D18-2R7N	2.7±30%	100k,0.3V	0.105	1.28
CSMRI4D18-3R3N	3.3±30%	100k,0.3V	0.110	1.04
CSMRI4D18-3R9M	3.9±20%	100k,0.3V	0.155	0.88
CSMRI4D18-4R7M	4.7±20%	100k,0.3V	0.162	0.84
CSMRI4D18-5R6M	5.6±20%	100k,0.3V	0.17	0.80
CSMRI4D18-6R8M	6.8±20%	100k,0.3V	0.19	0.76
CSMRI4D18-100M	10±20%	100k,0.3V	0.20	0.61
CSMRI4D18-120M	12±20%	100k,0.3V	0.21	0.56
CSMRI4D18-150M	15±20%	100k,0.3V	0.24	0.50
CSMRI4D18-180M	18±20%	100k,0.3V	0.338	0.48
CSMRI4D18-220M	22±20%	100k,0.3V	0.397	0.41
CSMRI4D18-270M	27±20%	100k,0.3V	0.441	0.35
CSMRI4D18-330M	33±20%	100k,0.3V	0.694	0.32
CSMRI4D18-390M	39±20%	100k,0.3V	0.709	0.30
CSMRI4D18-470M	47±20%	100k,0.3V	0.922	0.28
CSMRI4D18-560M	56±20%	100k,0.3V	1.08	0.26
CSMRI4D18-680M	68±20%	100k,0.3V	1.30	0.24

CSMRI4D18 TYPE

Part Number 型号	Inductance 电感量	L Test Condition L测试条件	Max.DC Resistance 直流电阻	Max.Rated Current 额定电流
Units 单位	UH	Hz,V	Ω	A
Symbol 符号	L <sub>0A</sub>	—	DCR	I <sub>r</sub>
CSMRI4D18-820M	82±20%	100k,0.3V	1.56	0.22
CSMRI4D18-101M	100±20%	100k,0.3V	1.73	0.20
CSMRI4D18-121M	120±20%	100k,0.3V	2.39	0.18
CSMRI4D18-151M	150±20%	100k,0.3V	2.67	0.15
CSMRI4D18-181M	180±20%	100k,0.3V	4.00	0.14

CSMRI4D28 TYPE

Part Number 型号	Inductance 电感量	L Test Condition L测试条件	Max.DC Resistance 直流电阻	Max.Rated Current 额定电流
Units 单位	UH	Hz,V	Ω	A
Symbol 符号	L <sub>0A</sub>	—	DCR	I <sub>r</sub>
CSMRI4D28-1R2N	1.2±30%	100k,0.3V	0.0242	2.56
CSMRI4D28-2R2N	2.2±30%	100k,0.3V	0.0313	2.04
CSMRI4D28-3R3N	3.3±30%	100k,0.3V	0.049	1.57
CSMRI4D28-4R7M	4.7±20%	100k,0.3V	0.072	1.32
CSMRI4D28-5R6M	5.6±20%	100k,0.3V	0.101	1.17
CSMRI4D28-6R8M	6.8±20%	100k,0.3V	0.108	1.12
CSMRI4D28-8R2M	8.2±20%	100k,0.4V	0.118	1.04
CSMRI4D28-100M	10±20%	100k,0.5V	0.128	1.00
CSMRI4D28-120M	12±20%	100k,0.3V	0.132	0.84
CSMRI4D28-150M	15±20%	100k,0.3V	0.149	0.76
CSMRI4D28-180M	18±20%	100k,0.3V	0.165	0.72
CSMRI4D28-220M	22±20%	100k,0.3V	0.235	0.70
CSMRI4D28-330M	33±20%	100k,0.3V	0.331	0.56
CSMRI4D28-390M	39±20%	100k,0.3V	0.384	0.50
CSMRI4D28-470M	47±20%	100k,0.3V	0.587	0.48
CSMRI4D28-560M	56±20%	100k,0.3V	0.624	0.41
CSMRI4D28-680M	68±20%	100k,0.3V	0.699	0.35
CSMRI4D28-820M	82±20%	100k,0.3V	0.915	0.32
CSMRI4D28-101M	100±20%	100k,0.3V	1.02	0.29
CSMRI4D28-121M	120±20%	100k,0.3V	1.27	0.27
CSMRI4D28-151M	150±20%	100k,0.3V	1.35	0.24
CSMRI4D28-181M	180±20%	100k,0.3V	1.54	0.22
CSMRI4D28-271M	270±20%	100k,0.3V	1.95	0.16

CSMRI5D18 TYPE

Part Number 型号	Inductance 电感量	L Test Condition L测试条件	Max.DC Resistance 直流电阻	Max.Rated Current 额定电流
Units 单位	UH	Hz,V	Ω	A
Symbol 符号	L <sub>0A</sub>	-	DCR	I <sub>r</sub>
CSMRI5D18-3R3N	3.3±30%	100k,0.3V	0.053	2.00
CSMRI5D18-4R7M	4.7±20%	100k,0.3V	0.060	1.90
CSMRI5D18-5R6M	5.6±20%	100k,0.3V	0.076	1.60
CSMRI5D18-6R8M	6.8±20%	100k,0.3V	0.102	1.40
CSMRI5D18-100M	10±20%	100k,0.5V	0.124	1.20
CSMRI5D18-120M	12±20%	100k,0.3V	0.153	1.10
CSMRI5D18-180M	18±20%	100k,0.3V	0.210	0.85
CSMRI5D18-220M	22±20%	100k,0.3V	0.290	0.80
CSMRI5D18-270M	27±20%	100k,0.3V	0.330	0.75
CSMRI5D18-330M	33±20%	100k,0.3V	0.386	0.65
CSMRI5D18-390M	39±20%	100k,0.3V	0.520	0.57
CSMRI5D18-470M	47±20%	100k,0.3V	0.595	0.54
CSMRI5D18-560M	56±20%	100k,0.3V	0.665	0.50
CSMRI5D18-680M	68±20%	100k,0.3V	0.840	0.43
CSMRI5D18-820M	82±20%	100k,0.3V	0.978	0.41
CSMRI5D18-101M	100±20%	100k,0.3V	1.20	0.36
CSMRI5D18-121M	120±20%	100k,0.3V	1.50	0.33
CSMRI5D18-151M	150±20%	100k,0.3V	1.71	0.31
CSMRI5D18-181M	180±20%	100k,0.3V	3.38	0.21
CSMRI5D18-221M	220±20%	100k,0.3V	4.34	0.81

CSMRI5D28 TYPE

Part Number 型号	Inductance 电感量	L Test Condition L测试条件	Max.DC Resistance 直流电阻	Max.Rated Current 额定电流
Units 单位	UH	Hz,V	Ω	A
Symbol 符号	L <sub>0A</sub>	-	DCR	I <sub>r</sub>
CSMRI5D28-2R2N	2.2±30%	100k,0.3V	0.02	2.60
CSMRI5D28-3R3N	3.3±30%	100k,0.3V	0.029	2.40
CSMRI5D28-100M	10±20%	100k,0.5V	0.065	1.30
CSMRI5D28-120M	12±20%	100k,0.3V	0.075	1.20
CSMRI5D28-180M	18±20%	100k,0.3V	0.110	1.00
CSMRI5D28-220M	22±20%	100k,0.3V	0.122	0.90
CSMRI5D28-330M	33±20%	100k,0.3V	0.189	0.75
CSMRI5D28-470M	47±20%	100k,0.3V	0.250	0.62
CSMRI5D28-560M	56±20%	100k,0.3V	0.305	0.58
CSMRI5D28-680M	68±20%	100k,0.3V	0.355	0.52

CSMRI5D28 TYPE

Part Number 型号	Inductance 电感量	L Test Condition L测试条件	Max.DC Resistance 直流电阻	Max.Rated Current 额定电流
Units 单位	UH	Hz,V	Ω	A
Symbol 符号	L <sub>0A</sub>	-	DCR	I <sub>r</sub>
CSMRI5D28-820M	82±20%	100k,0.3V	0.463	0.46
CSMRI5D28-101M	100±20%	100k,0.3V	0.52	0.42
CSMRI5D28-121M	120±20%	100k,0.3V	0.56	0.40
CSMRI5D28-151M	150±20%	100k,0.3V	0.68	0.35
CSMRI5D28-181M	180±20%	100k,0.3V	0.93	0.32
CSMRI5D28-221M	220±20%	100k,0.3V	1.15	0.30
CSMRI5D28-271M	270±20%	100k,0.3V	1.56	0.27
CSMRI5D28-331M	330±20%	100k,0.3V	1.98	0.25
CSMRI5D28-391M	390±20%	100k,0.3V	2.50	0.22
CSMRI5D28-471M	470±20%	100k,0.3V	2.70	0.20
CSMRI5D28-561M	560±20%	100k,0.3V	3.12	0.18
CSMRI5D28-681M	680±20%	100k,0.3V	4.15	0.16

CSMRI6D28 TYPE

Part Number 型号	Inductance 电感量	L Test Condition L测试条件	Max.DC Resistance 直流电阻	Max.Rated Current 额定电流
Units 单位	UH	Hz,V	Ω	A
Symbol 符号	L <sub>0A</sub>	-	DCR	I <sub>r</sub>
CSMRI6D28-3R3N	3.3±30%	100k,0.3V	0.026	2.80
CSMRI6D28-4R7M	4.7±20%	100k,0.3V	0.031	2.40
CSMRI6D28-100M	10±20%	100k,0.5V	0.065	1.70
CSMRI6D28-150M	15±20%	100k,0.3V	0.084	1.40
CSMRI6D28-180M	18±20%	100k,0.3V	0.095	1.32
CSMRI6D28-220M	22±20%	100k,0.3V	0.128	1.20
CSMRI6D28-330M	33±20%	100k,0.3V	0.165	0.97
CSMRI6D28-470M	47±20%	100k,0.3V	0.238	0.80
CSMRI6D28-560M	56±20%	100k,0.3V	0.277	0.73
CSMRI6D28-680M	68±20%	100k,0.3V	0.304	0.65
CSMRI6D28-820M	82±20%	100k,0.3V	0.390	0.60
CSMRI6D28-101M	100±20%	100k,0.3V	0.54	0.54
CSMRI6D28-121M	120±20%	100k,0.3V	0.75	0.51
CSMRI6D28-151M	150±20%	100k,0.3V	0.95	0.47
CSMRI6D28-181M	180±20%	100k,0.3V	1.20	0.41
CSMRI6D28-221M	220±20%	100k,0.3V	1.50	0.37
CSMRI6D28-271M	270±20%	100k,0.3V	1.70	0.33
CSMRI6D28-331M	330±20%	100k,0.3V	2.15	0.28
CSMRI6D28-471M	470±20%	100k,0.3V	3.15	0.21
CSMRI6D28-681M	680±20%	100k,0.3V	5.15	0.20

CSMRI6D38 TYPE

Part Number 型号	Inductance 电感量	L Test Condition L测试条件	Max.DC Resistance 直流电阻	Max.Rated Current 额定电流
Units 单位	UH	Hz,V	Ω	A
Symbol 符号	L <sub>0A</sub>	—	DCR	I <sub>r</sub>
CSMRI6D38-1R5N	1.5±30%	100k,0.3V	0.02	5.2
CSMRI6D38-3R3N	3.3±30%	100k,0.3V	0.020	3.5
CSMRI6D38-6R8M	6.8±20%	100k,0.3V	0.029	2.4
CSMRI6D38-100M	10±20%	100k,0.3V	0.038	2.0
CSMRI6D38-120M	12±20%	100k,0.3V	0.053	1.7
CSMRI6D38-150M	15±20%	100k,0.3V	0.057	1.6
CSMRI6D38-180M	18±20%	100k,0.3V	0.092	1.6
CSMRI6D38-220M	22±20%	100k,0.3V	0.096	1.3
CSMRI6D38-270M	27±20%	100k,0.3V	0.109	1.2
CSMRI6D38-330M	33±20%	100k,0.3V	0.124	1.1
CSMRI6D38-390M	39±20%	100k,0.3V	0.138	1.0
CSMRI6D38-470M	47±20%	100k,0.3V	0.155	0.95
CSMRI6D38-560M	56±20%	100k,0.3V	0.202	0.85
CSMRI6D38-680M	68±20%	100k,0.3V	0.234	0.75
CSMRI6D38-820M	82±20%	100k,0.3V	0.324	0.70
CSMRI6D38-101M	100±20%	100k,0.3V	0.358	0.65
CSMRI6D38-121M	120±20%	100k,0.3V	0.47	0.59
CSMRI6D38-151M	150±20%	100k,0.3V	0.58	0.54
CSMRI6D38-181M	180±20%	100k,0.3V	0.69	0.49
CSMRI6D38-221M	220±20%	100k,0.3V	0.89	0.43
CSMRI6D38-271M	270±20%	100k,0.3V	1.29	0.40
CSMRI6D38-331M	330±20%	100k,0.3V	1.70	0.37
CSMRI6D38-391M	390±20%	100k,0.3V	1.75	0.34
CSMRI6D38-471M	470±20%	100k,0.3V	2.20	0.32
CSMRI6D38-561M	560±20%	100k,0.3V	2.85	0.29
CSMRI6D38-681M	680±20%	100k,0.3V	3.20	0.25
CSMRI6D38-821M	820±20%	100k,0.3V	4.05	0.22
CSMRI6D38-102M	1000±20%	100k,0.3V	5.70	0.20

回流焊焊接温度曲线图

