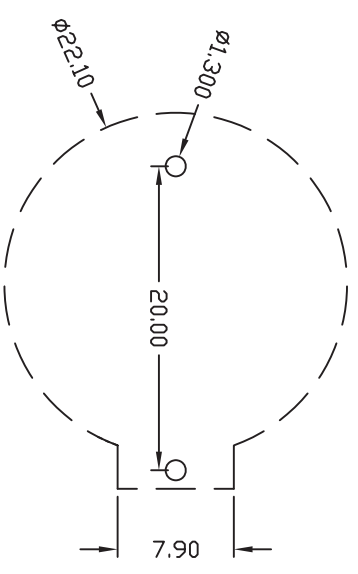
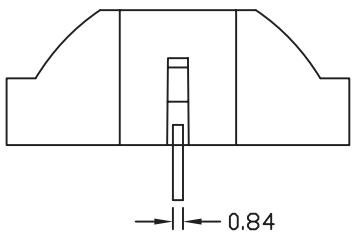
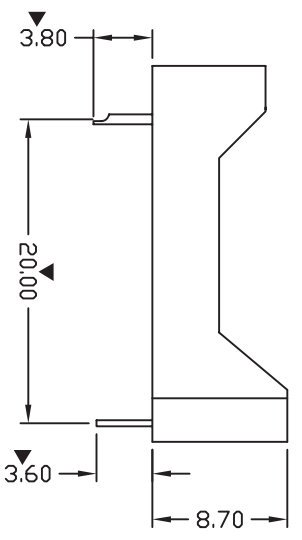
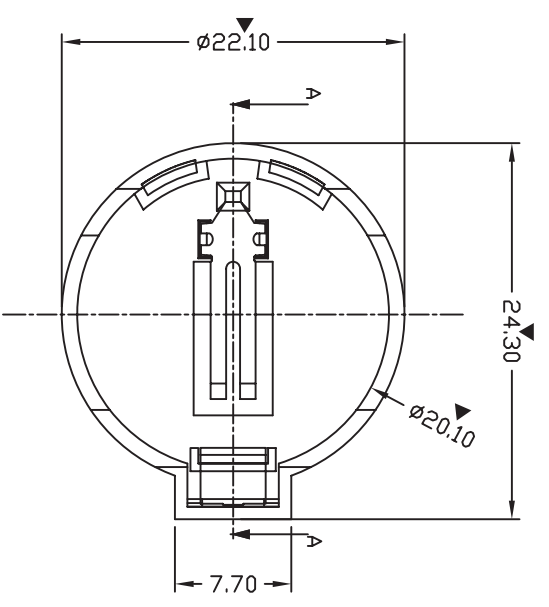
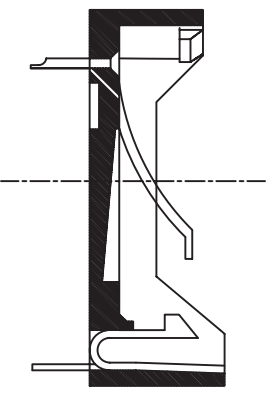


REV.	MATTER	APP.	DATE
A			



PCB HOLE LAYOUT



SECTION A-A

NOTE:  
 1. MATERIAL:  
 a. HOUSING: THERMOPLASTIC GLASS FIBRE UL94V-0  
 b. CONTACT: BRASS  
 (SURFACE PLATING: Sn100u")  
 2. ELECTRIC:  
 a. CONTACT RESISTANCE: 30 MILLIOHMS MAX  
 b. INSULATION RESISTANCE: 1000 MEGA OHMS MIN  
 c. DIELECTRIC VOLTAGE: 750V AC ONE SEC LEVEL  
 d. OPERATING TEMPERATURE: -55 °C ~ +85 °C

ORDERING INFORMATION

BS-02-A\*\*0\*002  
 电池座系列  
 BS-2系列  
 DIP 90° TYPE  
 MATERIAL:  
 1A-PBT WHITE  
 1B-PBT BLACK  
 3A-PA6T WHITE  
 3B-PA6T BLACK  
 PLATING:  
 J-Sn100u"~120u"  
 K-Sn150u"  
 CRUST:  
 0-WITHOUT

注: 为重点管控尺寸

# 深圳市琦捷电子有限公司

TITLE: 两PIN电池座卧式 (BS-2)

TOLERANCE		DRAWN 刘军	
LINEAR	ANGLE	APPROVED	DATE 2007.07.06
x. ±1	x'. ±5		
.xx ±0.38	x' ±2		
.xxx ±0.25	.xx' ±1'		
		UNIT: MM	SCALE: 1/1
		SIZE: A4	
PART NO. BS-01-QJ-A1-001	REV. A	DWG. NO. BS002-00	SHEET. 1 OF 1