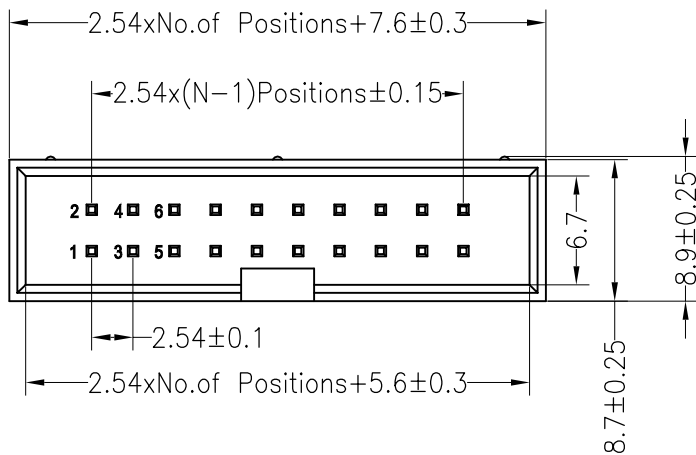


RoHS

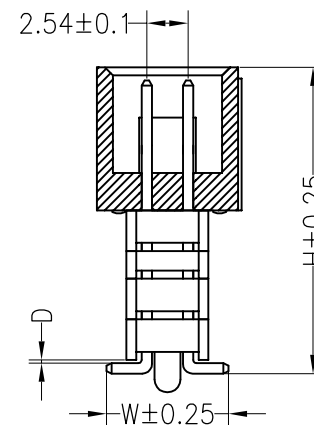
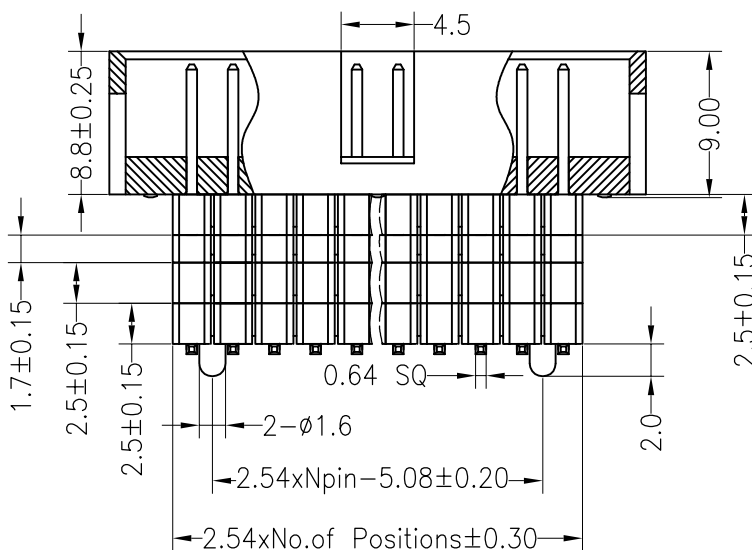
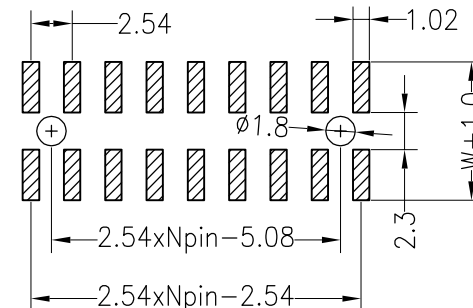
SPECIFICATIONS

Rated Current:3.0AMP
 Contact Resistance:20mΩ Max
 Withstand Voltage:1000V AC/DC
 Insulation Resistance:1000MΩ Min
 Operation Temperature:-40°C to +105°C

Contact Material:Brass
 Contact Plating:Au Over Ni
 Insulator Material:Polyester(UL94V-0)
 Standard: PA6T
 Max.Processing Temp: 230°C for 30-60 seconds
 (260°C for 10 seconds)



Recommended P.C.B Layout(Top Side)
 (PCB BOARD TOLERANCE±0.05)



Dimension antitheses list				
ITEM	H	D	W	L
Alternate	19.00	0.10	8.20	20.80

REV	DATE	MODIFICATION DESCRIPTION	CHANGE	OPERATION		DRAW	SCALE	FIT
				DIM	TOL			
A0	2012.03.28	NEW DRAWING		X.X	±0.30		UNIT	mm
				X.XX	±0.20	CHECK	SIZE	A4
				X.XXX	±0.10		SHEET	1/1
				Angle	±3°	APPROVE	PROJ.	

深圳市连盛精密连接器有限公司

PART NO. BH-00085
 TITLE: 2.54BOX 16P 5H=8.8+3X2.5+1.7 SMT