

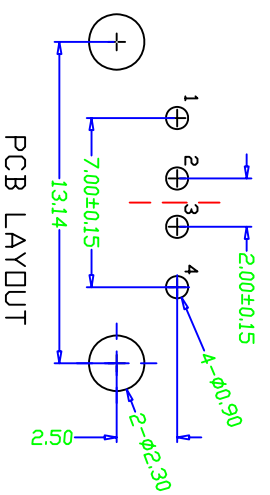
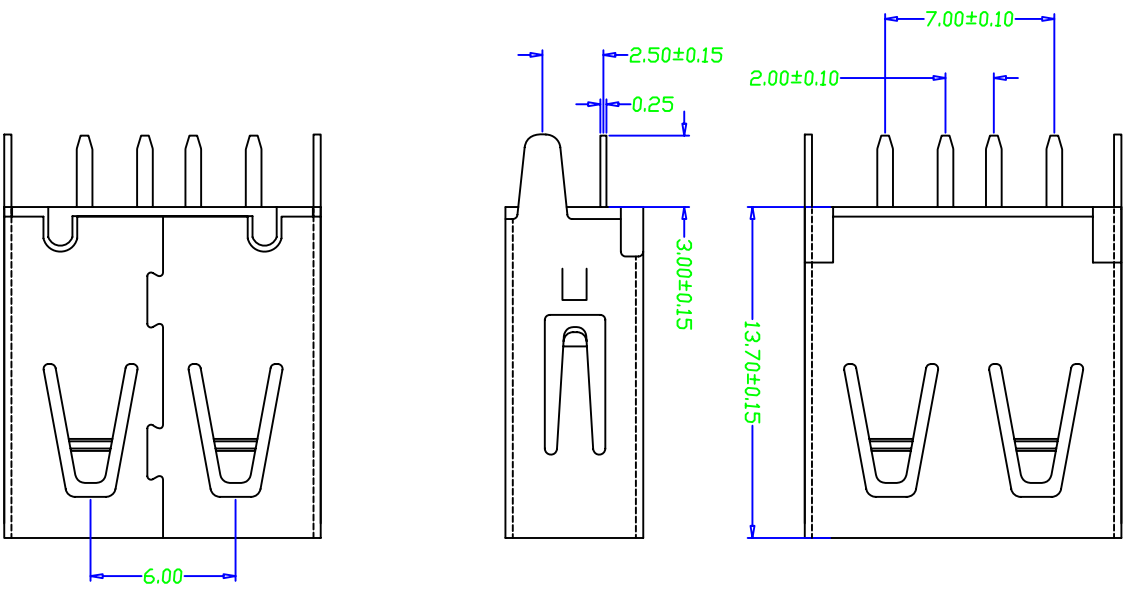
MAPX	MODIFICATION	DATE
------	--------------	------

NOTES:
 1. HOUSING: SEE NOTES, UJ94V-0.
 TERMINAL: SEE NOTES.
 SHELL: SEE NOTES.

SPECIFICATION:

- ELECTRICAL CHARACTERISTIC:
 CONTACT RESISTANCE: 30MΩ MAX
 DIELECTRIC WITHSTANDING VOLTAGE: 500V AC FOR 1MIN
 INSULATION RESISTANCE: 1000MΩ MIN
- MECHANICAL CHARACTERISTIC:
 INSERTION FORCE: 35N(3.57KGF) MAX
 EXTRACTION FORCE: 10~35N(1.02~3.57KGF)MIN
 DURABILITY: 1500 CYCLES EXTRACTION FORCE: 10~35N
 5000 CYCLES MIN
 5000 CYCLES EXTRACTION FORCE: 3~35N
- ENVIRONMENTAL:
 OPERATING TEMPERATURE: -55°C+85°C
- Contact finish:

- Selective Gold Flash
- Selective Gold 3U"
- Selective Gold 5U"
- Selective Gold 15U"
- Selective Gold 30U"



产品图
PRODUCT CHART DWG

深圳市精拓金电子有限公司

公差一览表		单位		制图		制图料号	
TOLERANCE UNLESS OTHERWISE	UNITS	MM	DRAWING	Z-Y-B	PRODUCT PART NO.		
X. ±0.25	X.	±5°	审核		产品名称	USB A/F 180度插板式无边 (13.7)	
X. ±0.20	X.	±2°	CHKD	比例	PRODUCT NO.		
XX. ±0.15	XX.	±1°	核准	日期	角法	版本	
XXX. ±0.10	XXX.	±0.5°	APRD	2014.07.24	VIEW	VER	
						AD	

G 1 2 3 4 5 6 7 8 9 10
 F
 E
 D
 C
 B
 A