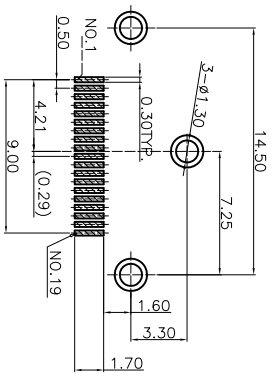
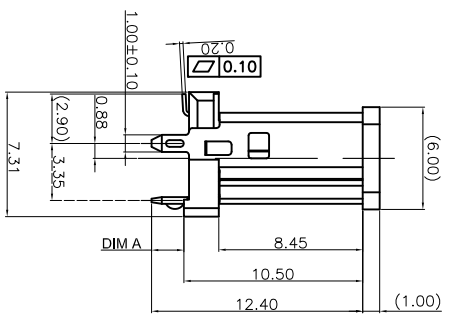
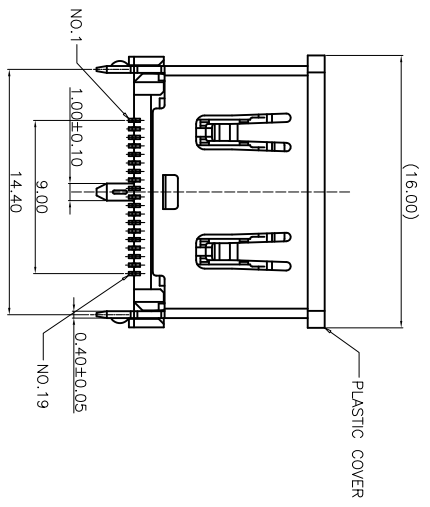
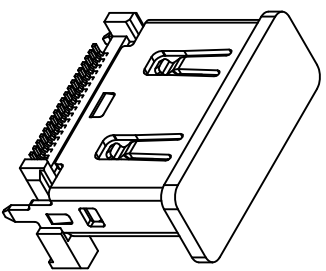
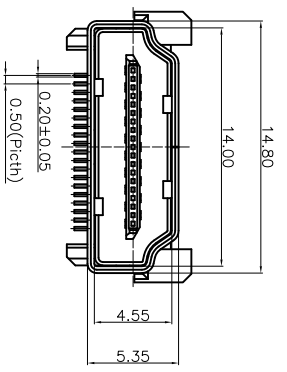


MAPX	MODIFICATION	DATE
------	--------------	------



RECOMMENDED PCB LAYOUT THICKNESS=1.6mm
TOLERANCE:±0.05

- NOTE:
1. MATERIALS AND FINISHED INSULATOR : LCP UL-94V0, COVER:LCP UL-94V0 SHELL : BRASS, NICKEL PLATED CONTACT MATERIAL : BRASS, SELEVITE GOLD FINISHED
 2. ELECTRICAL CHARACTERISTICS CONTACT CURRENT RATING : 0.5 AMPS CONTACT VOLTAGE RATING:40VAC CONTACT RESISTANCE :20 MILLIOHMS MAX. DIELECTRIC WITHSTANDING VOLTAGE : 500 V AC/MIN. INSULATION RESISTANCE : 100 MEGAOHMS MIN.
 3. MECHANICAL MATING FORCE:4.5Kgf MAX. UNMATING FORCE:1.0 Kgf MIN
 4. ENVIRONMENTAL TEMPERATURE RATING : -40°C ~ +100°C
 5. HOW TO ORDER:

- HDFAV1-19XXXXXX-X11X0
- Female
 - 19Pin
 - Packing Mode 1:TYAY 2:TAPE REEL
 - SHELL LEG LENGTH CODE 2:DIM A=1.9mm 4:DIM A=2.4mm
 - L:LOP P:PBTP
 - L:Blue B:Black
 - SHELL FINISH 4:GOLD PLATED 5:NI PLATED
- Contact Plating
- M1: Solder Tail Matte Tin Plated Contact Area 1u" Gold Plated
 - M3: Solder Tail Matte Tin Plated Contact Area 3u" Gold Plated
 - M6: Solder Tail Matte Tin Plated Contact Area 10u" Gold Plated
 - M7: Solder Tail Matte Tin Plated Contact Area 15u" Gold Plated
 - G1: 1u" Gold Plating Over All;
 - G3: 3u" Gold Plating Over All;
 - G6: 6u" Gold Plating Over All;

深圳市精拓金电子有限公司

产品图
PRODUCT CHART DWG

公差一覽表	TOLERANCE UNLESS OTHERWISE
X ±5°	X ±5°
X ±2°	X ±2°
XX ±1°	XX ±1°
XXX ±0.5°	XXX ±0.5°

单位	MM	制图	许榕强	制料号	
UNITS	MM	DRAWING		PRODUCT PART NO.	
比例	1:1	审核	郭治富	产品名称	
SCALE	1:1	CHKD		PRODUCT NO.	
日期	2016-09-09	核准	黄国荣	角法	
DATE	2016-09-09	APRD		VIEW	
				版本	AD
				VER	

