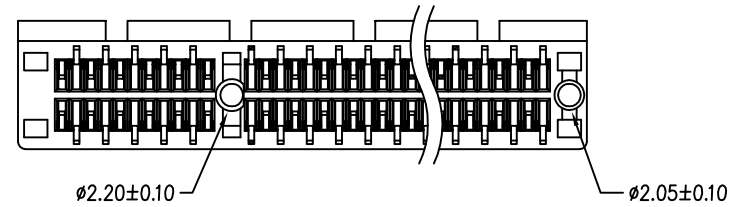
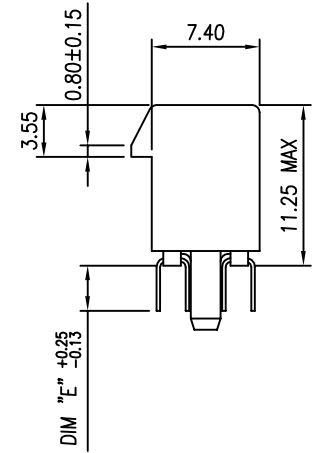
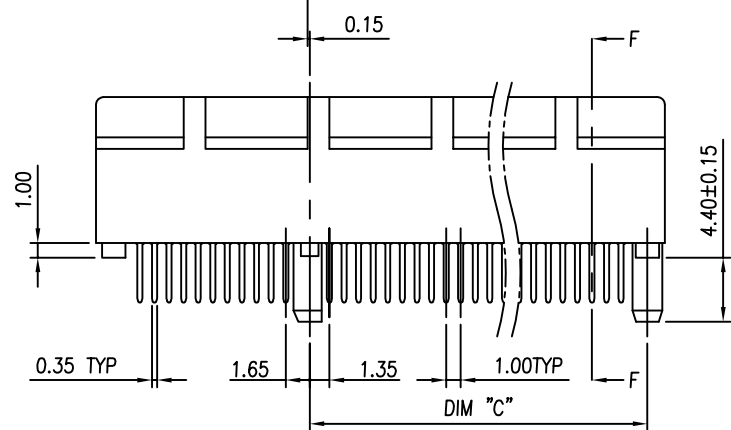
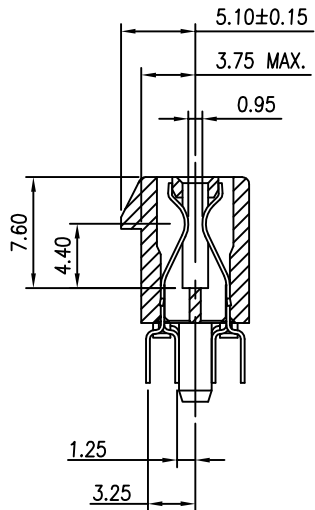
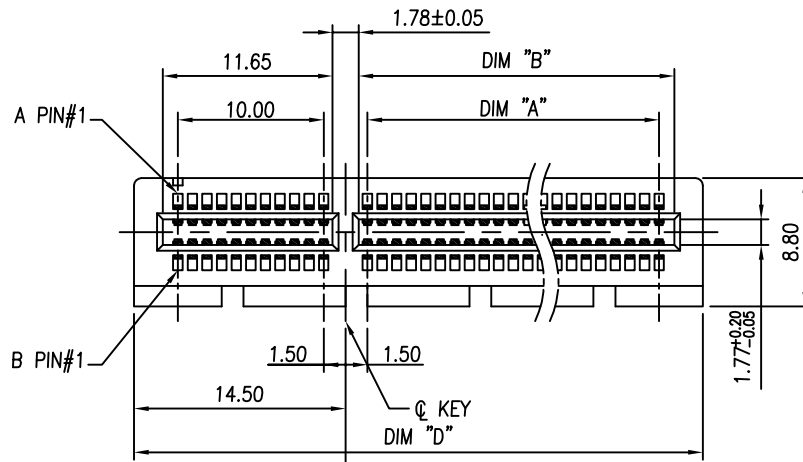


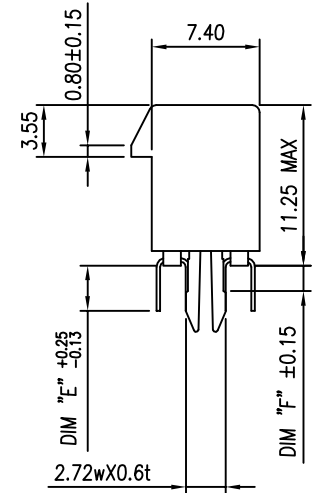
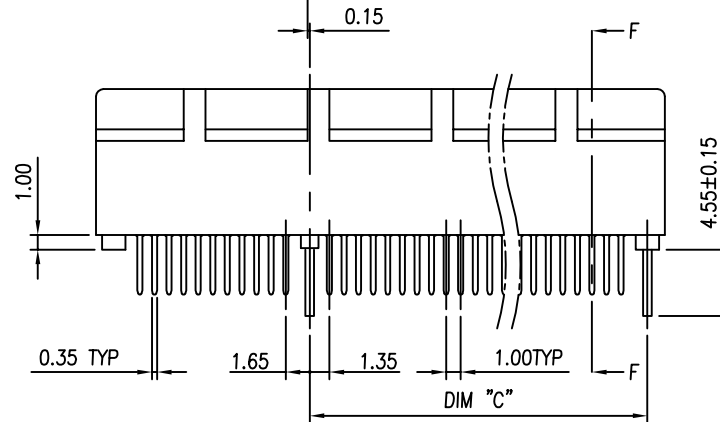
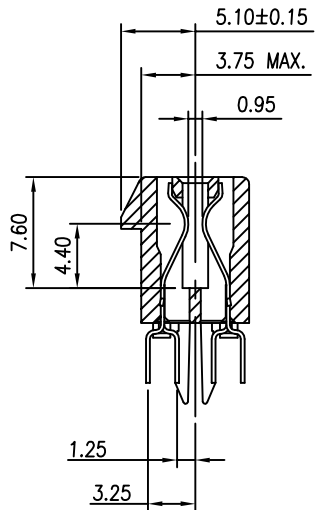
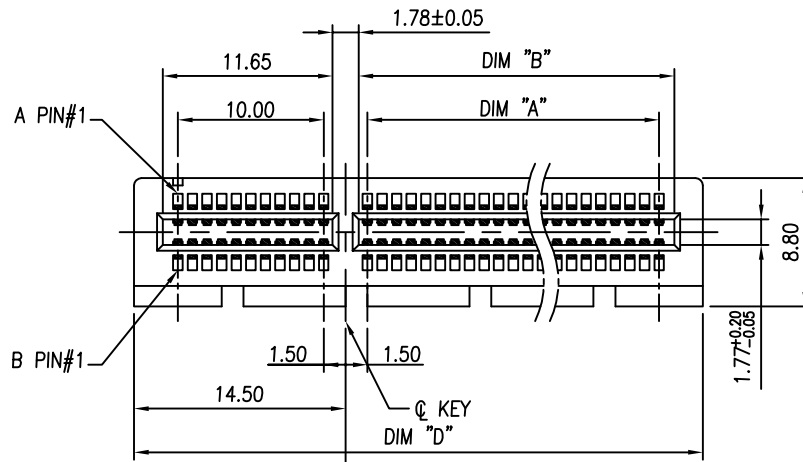
DIMENSIONS				
POSITION	A ±0.10	B $^{+0.15}_{-0.05}$	C ±0.20	D ±0.23
36	6	7.65	9.15	25.00
64	20	21.65	23.15	39.00
98	37	38.65	40.15	56.00
164	70	71.65	73.15	89.00



DUAL POST TYPE

				TOLERANCE		<b>UMax conn</b> 东莞市友贸实业有限公司 DONGGUAN UMAXCONN ENTERPRISE LIMITED		TITLE: PCI EXPRESS 1.0mm CARD EDGE ASSY'				
				LINEAR	ANGLES			PART NO. 3183-XXXXXPXT				
B0		Terry	May,11,2011	X.±0.40	X'±	APPD:	John	MAT'L:	DWG NO. 318307001			
B	09026	Terry	Jul,10,2009	.X±0.30	.X'±	CHKD:	Jason	FINISH:	UNITS	SCALE	SHEET	REV
A	94035	Schumi	Oct,28,2005	.XX±0.20	.XX'±	DRWN:	Schumi	Q'TY:	MM	1 : 1	1 OF 5	B0
REV	ECN NO.	NAME	DATE	.XXX±0.10	.XXX'±							

DIMENSIONS				
POSITION	A ±0.10	B $^{+0.15}_{-0.05}$	C ±0.20	D ±0.23
36	6	7.65	9.15	25.00
64	20	21.65	23.15	39.00
98	37	38.65	40.15	56.00
164	70	71.65	73.15	89.00



DIM E	PCB THICKNESS	DIM F
2.30	1.56	1.7
3.10	2.36	2.5
2.54	1.56	1.7

CLIP TYPE

REV	ECN NO.	NAME	DATE
	See Sheet 1		

TOLERANCE	
LINEAR	ANGLES
X.±0.40	X°.±
.X±0.30	.X°.±
.XX±0.20	.XX°.±
.XXX±0.10	.XXX°.±

**UMax conn** 东莞市友贸实业有限公司  
DONGGUAN UMAXCONN ENTERPRISE LIMITED

APPD: Jason    MAT'L:  
CHKD: Schumi    FINISH:  
DRWN: Schumi    Q'TY:

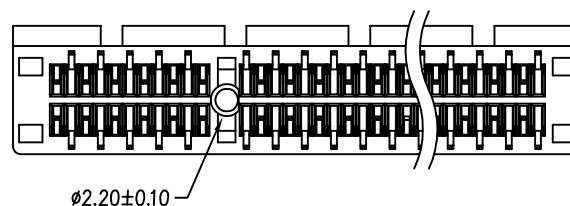
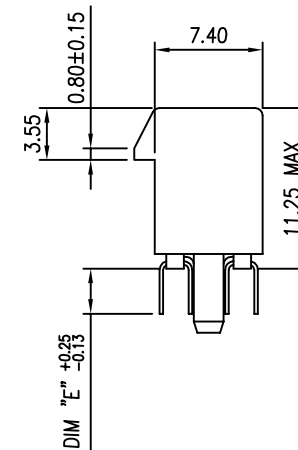
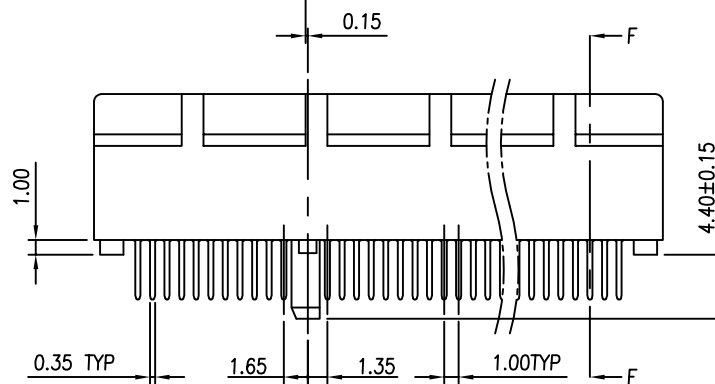
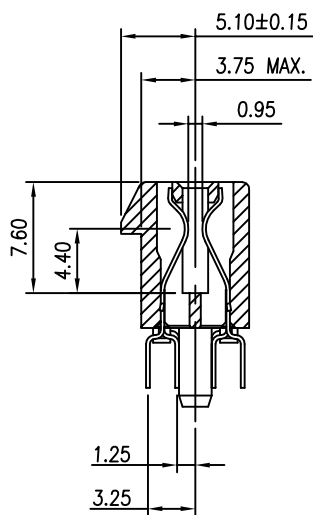
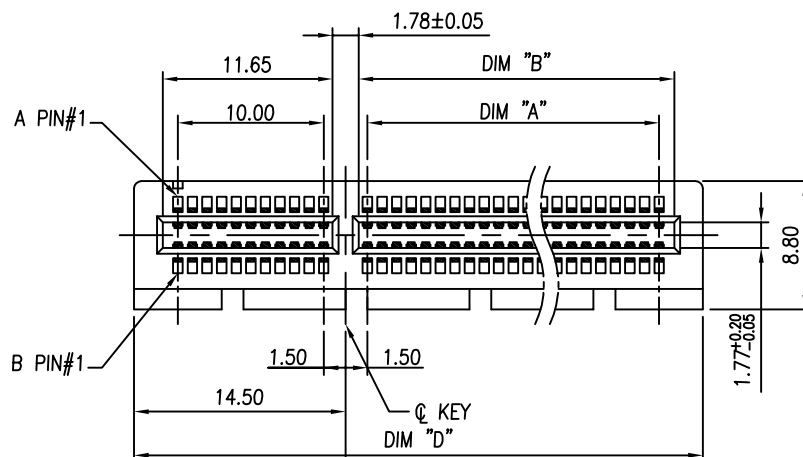
TITLE: PCI EXPRESS 1.0mm CARD EDGE ASSY'

PART NO. 3183-XXXXXPXT

DWG NO. 318307001

UNITS	SCALE	SHEET	REV
MM	1 : 1	2 OF 5	B0

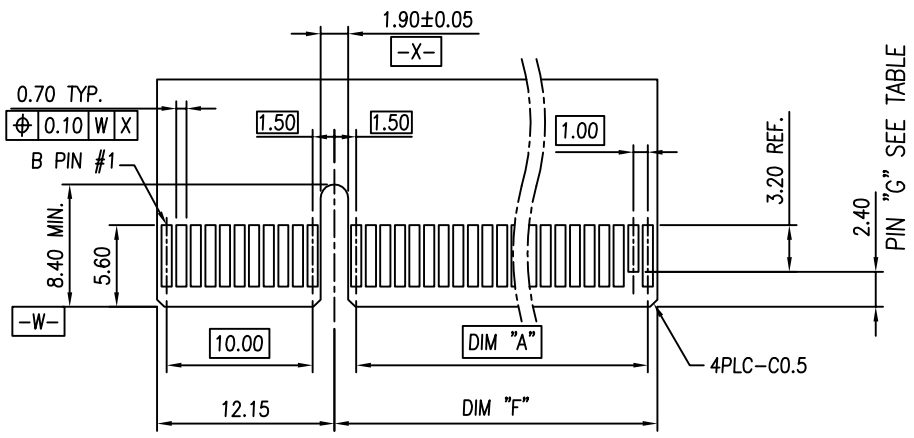
DIMENSIONS			
POSITION	A $\pm 0.10$	B $\begin{smallmatrix} +0.15 \\ -0.05 \end{smallmatrix}$	D $\pm 0.23$
36	6	7.65	25.00
64	20	21.65	39.00
98	37	38.65	56.00
164	70	71.65	89.00



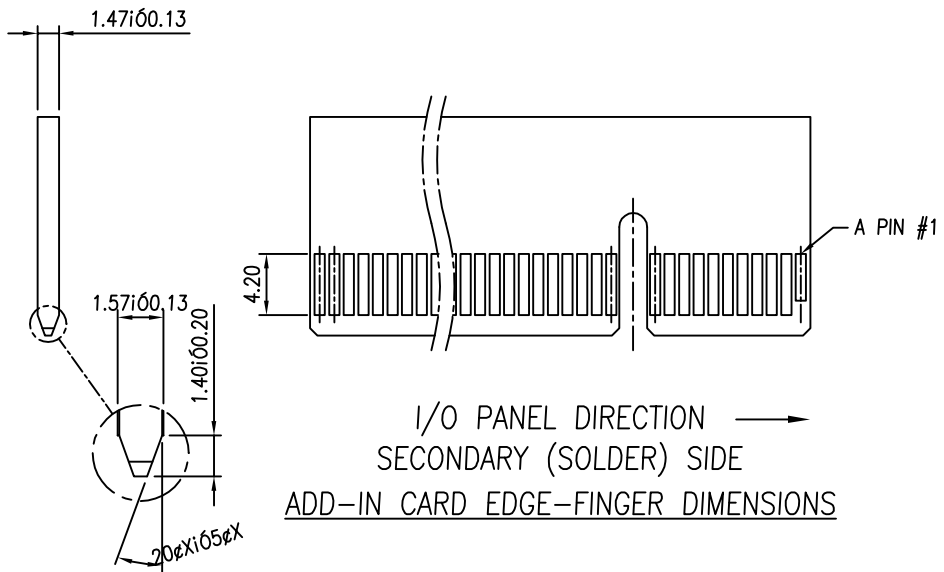
SINGLE POST TYPE

TOLERANCE		UMax conn 东莞市友贸实业有限公司 DONGGUAN UMAXCONN ENTERPRISE LIMITED	TITLE: PCI EXPRESS 1.0mm CARD EDGE ASSY'	
LINEAR	ANGLES		PART NO. 3183-XXXXPXT	DWG NO. 318307001
X.±0.40	X'±	APPD: Jason	MAT'L:	UNITS: MM
.X±0.30	.X'±	CHKD: Schumi	FINISH:	SCALE: 1 : 1
.XX±0.20	.XX'±	DRWN: Schumi	Q'TY:	SHEET: 3 OF 5
.XXX±0.10	.XXX'±			REV: B0

REV	ECN NO.	NAME	DATE
	See Sheet 1		

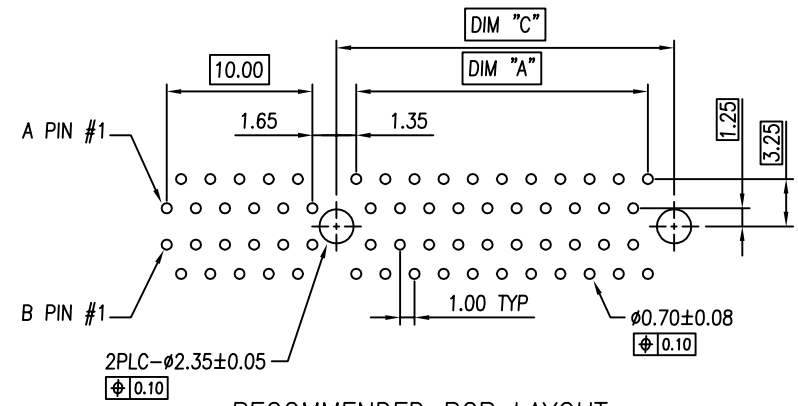


I/O PANEL DIRECTION  
PRIMARY (COMPONENT) SIDE



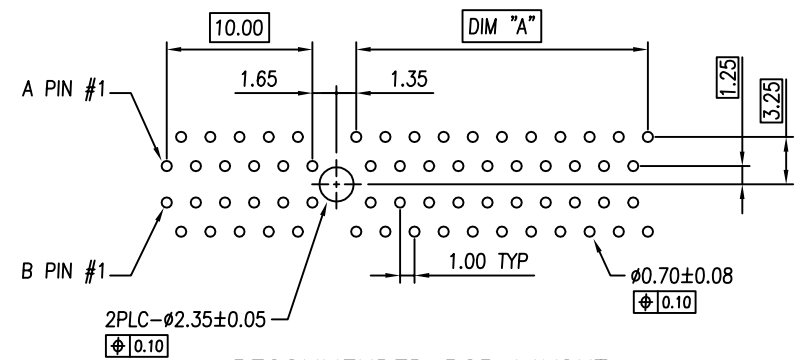
I/O PANEL DIRECTION  
SECONDARY (SOLDER) SIDE  
ADD-IN CARD EDGE-FINGER DIMENSIONS

DIMENSIONS				
POSITION	A	C	F ±0.20	G
36	6	9.15	8.15	B PIN#17
64	20	23.15	22.15	B PIN#31
98	37	40.15	39.15	B PIN#48
164	70	73.15	72.15	B PIN#81



RECOMMENDED PCB LAYOUT  
POST TYPE & CLIP TYPE

TOLERANCE: ±0.05



RECOMMENDED PCB LAYOUT  
SINGLE POST TYPE

TOLERANCE: ±0.05

TOLERANCE	
LINEAR	ANGLES
X.	X'±
.X	.X'±
.XX	.XX'±
.XXX	.XXX'±

**UMax conn** 东莞市友贸实业有限公司  
DONGGUAN UMAXCONN ENTERPRISE LIMITED

APPD: Jason MAT'L:  
CHKD: Schumi FINISH:  
DRWN: Schumi Q'TY:

TITLE: PCI EXPRESS 1.0mm  
CARD EDGE ASSY'

PART NO. 3183-XXXXXPXT

DWG NO. 318307001

UNITS	SCALE	SHEET	REV
MM	1 : 1	4 OF 5	B0

REV	See Sheet 1	NAME	DATE
ECN NO.			

**NOTES:**

**1. MATERIAL:**

1.1 HOUSING: THERMOPLASTIC, HIGH TEMP.,  
UL94V-0;  
COLOR: SEE PART NO..

1.2 CONTACTS: COPPER ALLOY.

1.3 CLIP: COPPER ALLOY.

**2. FINISH:**

**2.1 CONTACT:**

SELECTEIVE GOLD PLATING ON CONTACT AREA.  
100μ" MIN. MATTE TIN PLATING ON SOLDER TAILS,  
50μ" MIN. NICKEL UNDERPLATING OVERALL.

**2.2 CLIP:**

100μ" MIN. MATTE-TIN OVER 50u" MIN NICKEL PLATING.

**3. PRODUCT SPEC.:** PS-3GIO-01

**4. PACKING SPEC.:** 318304001

PART NO.

3 1 83 - X X X X X P X T

PCI EXPRESS Series No. \_\_\_\_\_  
Lock \_\_\_\_\_  
Type No. \_\_\_\_\_  
83: Normal 1X~16X Type  
HSG Color \_\_\_\_\_  
0: Natural  
1: Black  
Peg Option \_\_\_\_\_  
0: Dual Post  
1: Clip  
2: Single Post  
Contact Plating \_\_\_\_\_  
0: 30u" Gold  
1: 15u" Gold  
2: 1u" Gold  
Tail Length (DIM "E") / Type \_\_\_\_\_  
0: 2.30 mm  
1: 3.10 mm  
2: 2.54 mm

Packing Options

T: Tray

N: Tray + Mylar

HSG Material

0: PA66

1: PA46

2: PA9T

Contact Material

B: Brass

P: Phosphor Bronze

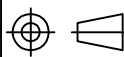
No. of Pins

0: 36P

1: 64P

2: 98P

3: 164P

TOLERANCE		UMax conn 东莞市友贸实业有限公司 DONGGUAN UMAXCONN ENTERPRISE LIMITED	TITLE:	
LINEAR	ANGLES		PCI EXPRESS 1.0mm CARD EDGE ASSY'	
X.	X'±	APPD: Jason	MAT'L:	PART NO. 3183-XXXXPXT
.X	.X'±			DWG NO. 318307001
.XX	.XX'±	CHKD: Schumi	FINISH:	 UNITS MM SCALE 1 : 1 SHEET 5 OF 5 REV B0
.XXX	.XXX'±	DRWN: Schumi	Q'TY:	

See Sheet 1			
REV	ECN NO.	NAME	DATE