

- NOTES:
- MATERIAL:
 - HOUSING: PA9T (KURARU GN2330), UL94 V-0; COLOR: BLACK
 - DUMMY CARD: LCP (E488i)
 - CONTACT: PHOSPHOR BRONZE, C5191-H t=0.25mm.
 - FINISH:
 - CONTACT:
 - SELECTIVE GOLD PLATING ON CONTACT AREA.
 - 100u" MIN. MATTE-TIN PLATING ON SOLDER TAIL AREA.
 - 50u" MIN. NICKEL UNDERPLATING OVERALL.
 - "⌀" IS MAJOR DIMENSION FOR QC
 - "Ⓢ" SHOWS FAI MEASUREMENT ITEMS.
 - PRODUCT SPEC: PS-3GIO-01
 - PACKAGING SPEC: 318304001
 - PART NO.

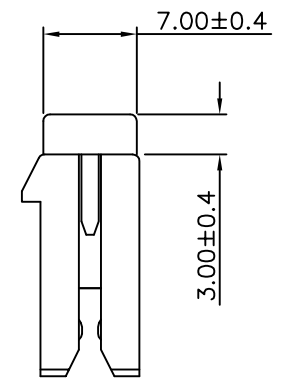
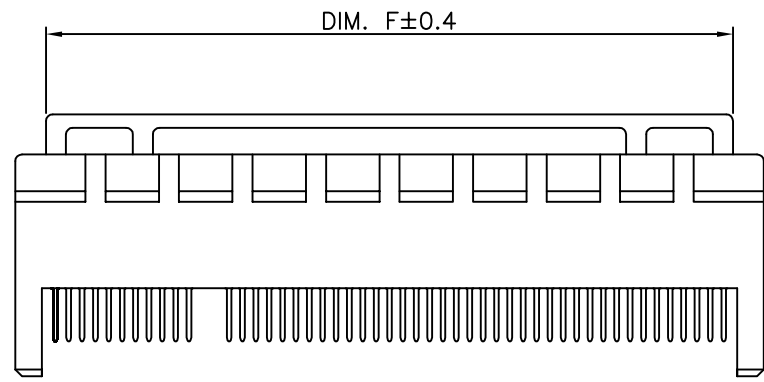
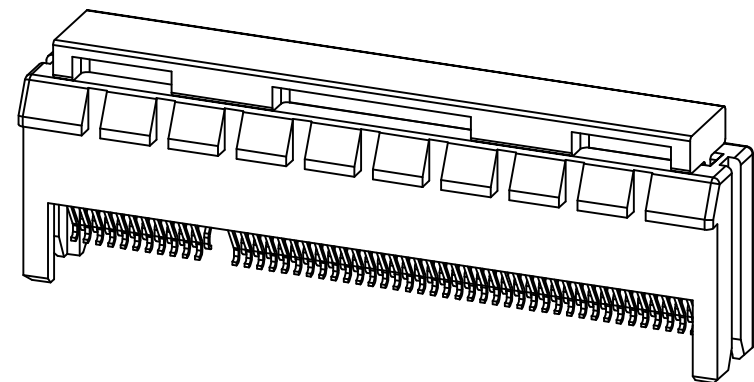
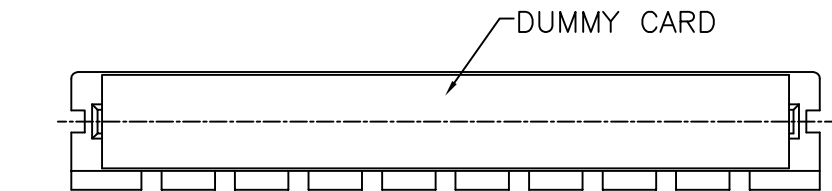
3157 - 10X0XD

PCI EXPRESS Series No. _____ Packing Options
 HSG Color _____ D: Tray With Dummy Card
 0: Natural _____ No. of Pins
 1: Black _____ 0: 36P
 Contact Plating _____ 1: 64P
 0: 30u" Gold _____ 2: 98P
 1: 15u" Gold _____ 3: 164P
 2: 1u" Gold _____

DIMENSIONS				
POSITION	A ±0.20	B $\begin{smallmatrix} +0.15 \\ -0.05 \end{smallmatrix}$	C ±0.15	D $\begin{smallmatrix} +0.00 \\ -0.15 \end{smallmatrix}$
36	25.00	7.65	6	23
64	39.00	21.65	20	37
98	56.00	38.65	37	54
164	89.00	71.65	70	87

				TOLERANCE		UMax conn 东莞市友贸实业有限公司 DONGGUAN UMAXCONN ENTERPRISE LIMITED	
				LINEAR	ANGLES		
				X.±0.30	X'±	APPD:	Jason
				.X±0.20	.X'±	MAT'L:	
0		Terry	Jun,27,2012	.XX±0.15	.XX'±	CHKD:	Schumi
REV	ECN NO.	NAME	DATE	.XXX±0.08	.XXX'±	FINISH:	
						DRWN:	Terry
						Q'TY:	

TITLE: PCI EXPRESS CARD EDGE CONNECTOR STRADDLE MOUNT TYPE				
PART NO.		3157-10X0XD		
DWG NO.		315705001		
	UNITS	SCALE	SHEET	REV
	MM	1 : 1	1 OF 2	0



8.1	20.4
64	34.4
98	51.4
164	84.4
POSITION	DIM F

ASSEMBLY WITH CAP CONDITION

REV	SEE SHEET 1	NAME	DATE
	ECN NO.		

TOLERANCE	
LINEAR	ANGLES
X.±0.30	X'±
.X±0.20	.X'±
.XX±0.15	.XX'±
.XXX±0.08	.XXX'±

UMax conn 东莞市友贸实业有限公司 DONGGUAN UMAXCONN ENTERPRISE LIMITED	
APPD: Jason	MAT'L:
CHKD: Schumi	FINISH:
DRWN: Terry	Q'TY:

TITLE: PCI EXPRESS CARD EDGE CONNECTOR STRADDLE MOUNT TYPE			
PART NO. 3157-10X0XD		DWG NO. 315705001	
	UNITS	SCALE	SHEET
	MM	1 : 1	2 OF 2
REV	0	INSPECTION	