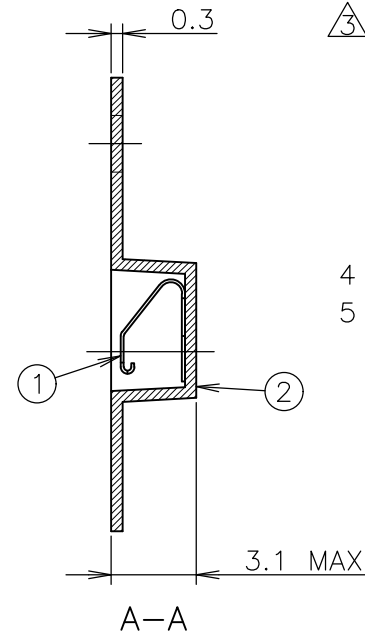
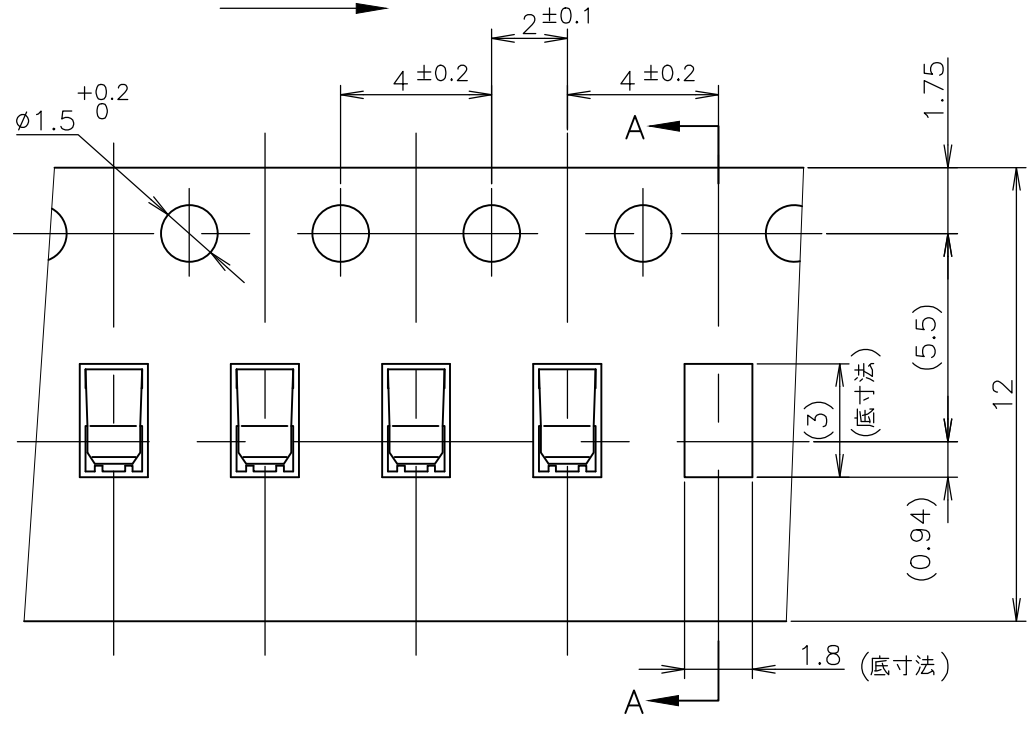


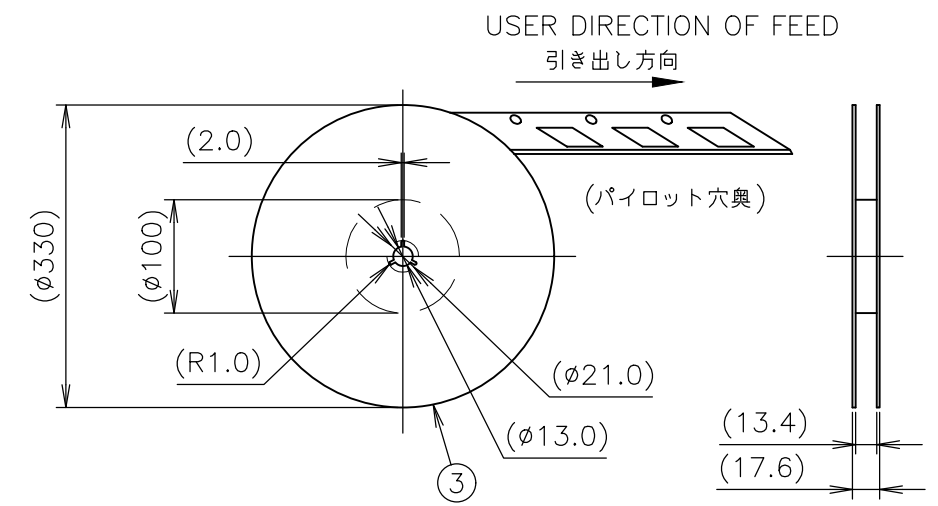
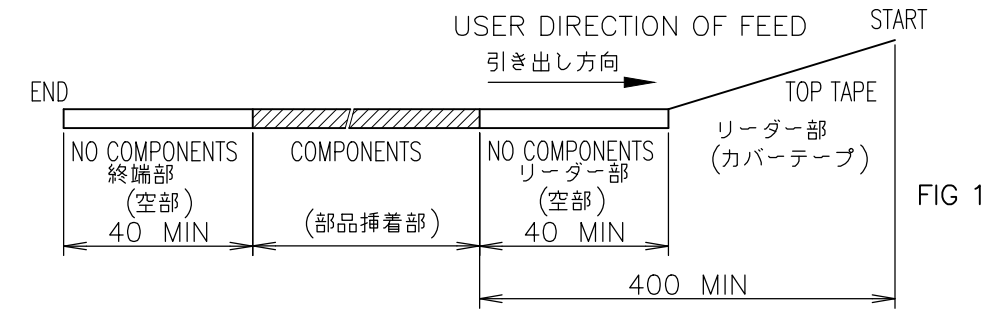
THIS DRAWING IS UNPUBLISHED. RELEASED FOR PUBLICATION .SEP 2000
 © COPYRIGHT 2000 By - ALL RIGHTS RESERVED.

REVISIONS				
P	LTR	DESCRIPTION	DATE	APVD
	A3	ECR-18-016328	15JAN2019	E.Z W.H

USER DIRECTION OF FEED
 引き出し方向

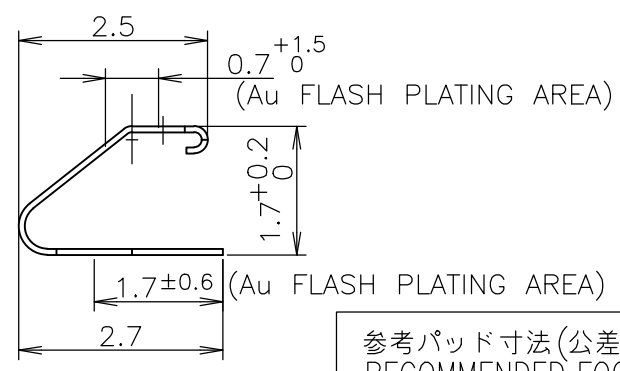
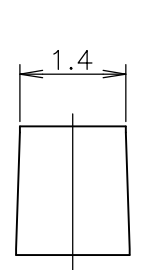
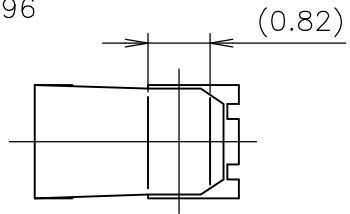


- 1 GENERAL TOLERANCE: ± 0.3
- 2 PACKING STYLE: 5,000 PCS/REEL
- 3 MATERIAL:
 SHIELD FINGER: COPPER ALLOY
 (PRE-NICKEL PLATING 0.8~1.5um)
 (PRE-GOLD PLATING ON THE CONTACT AND FOOT AREA 0.05~0.1um)
 CARRIER TAPE: ACRYLIC FILM
 TOP TAPE: PET FILM
 REEL: PLASTIC
- 4 TAPES DIMENSION: SEE FIG 1
- 5 REEL DIMENSION: REFERENCE ONLY

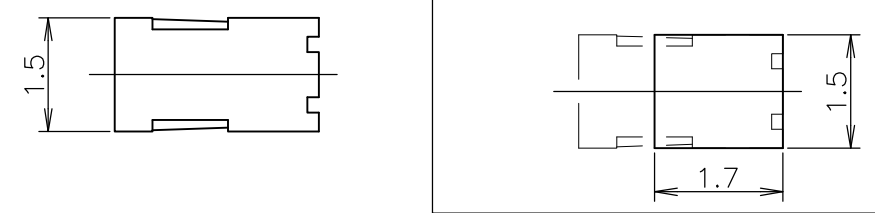


シールドフィンガー 1715
 SHIELD FINGER 1715

旧型番: 3400196 SCALE 10:1
 OLD CAT. NO. 3400196



参考パッド寸法(公差 ± 0.5)
 RECOMMENDED FOOT PRINT
 REFERENCE ONLY



1447360-9	3100069	③	リール REEL	(旧型番: 3150008)	1
		②	エンボスキャリア テープ CARRIER TAPE	(旧型番: 3150038)	5000 ポケット (部品装着部)
		①	シールドフィンガー 1715 SHIELD FINGER 1715	(旧型番: 3400196)	5000ヶ
PACKAGING CAT. .NO.	OLD PACKAGING CAT. NO.	NO.	名称 DESIGNATION	型番 CAT. NO.	数量 QUANTITY
THIS DRAWING IS A CONTROLLED DOCUMENT.		DWN	K.TAMURA	14SEP2000	 TE Connectivity PACKAGING OF SHIELD FINGER 1715 ON CONTINUOUS TAPES シールドフィンガー 1715用 テーピング梱包
DIMENSIONS: 単位: 耗 mm		CHK	K.KODAIRA	25SEP2000	
TOLERANCES UNLESS OTHERWISE SPECIFIED: 一般公差		APVD	K.KODAIRA	25SEP2000	
0 PLC ±- 1 PLC ±- 2 PLC ±- 3 PLC ±- 4 PLC ±- ANGLES ±-		PRODUCT SPEC	NAME 名称		
MATERIAL 材料	FINISH 仕上	WEIGHT	0.000000		SIZE A3
CUSTOMER DRAWING			CAGE CODE	00779	DRAWING NO
			G-1447360-9		RESTRICTED TO
SCALE 尺度 5:1			SHEET 1 OF 1		REV A3