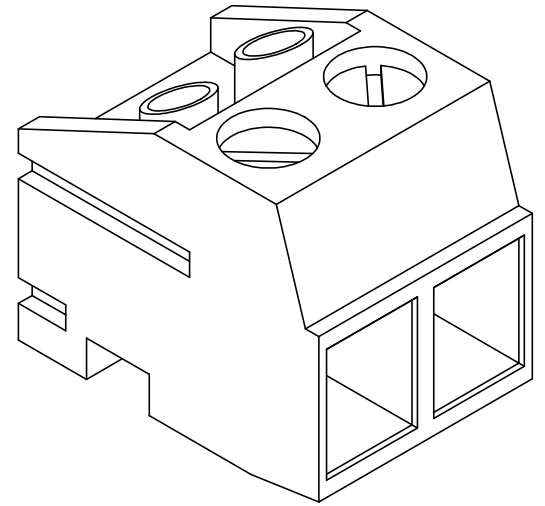
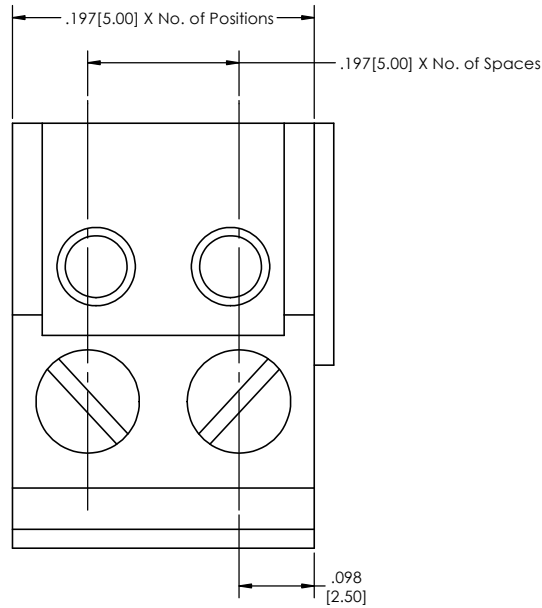
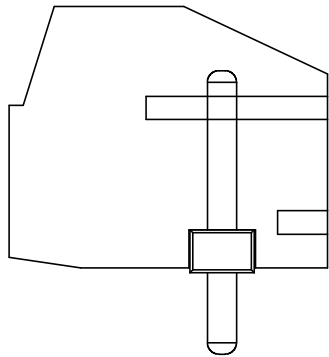


**APPLICATION**



TBW - 11 - **197** - **XX** - **XX** - **LF**  
**(A) (B) (C) (D)**

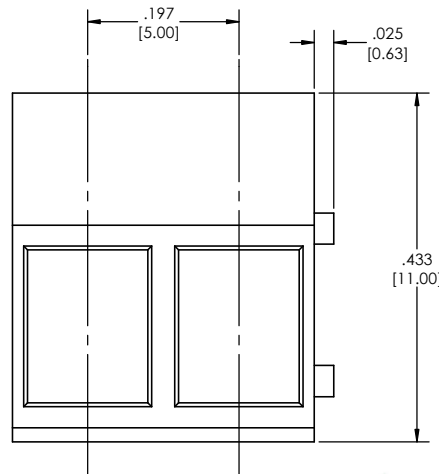
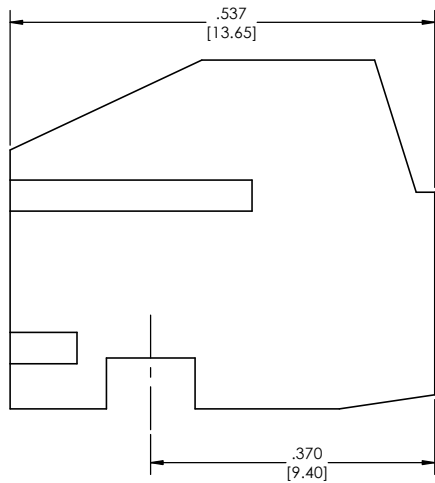
- A. Pitch**  
 - 197= .197(5.00) cl
- B. No. of Positions**  
 - 02-24
- C. Color**  
 - GR= Green (Standard)  
 - BK= Black  
 - BL= Blue  
 - WH= White  
 - GY= Grey  
 - OR= Orange  
 - YW= Yellow  
 - RD= Red  
 - BR= Brown
- D. Lead Free**

Mates With:  
 TBWH-11-197-XX-XX-LF

**Specifications:**  
 Current Rating: 10 Ampere  
 Voltage Rating: AC 250V  
 Wire Range: 14-24 AWG  
 Insulation Resistance: DC 500V 500M ohms  
 Dielectric Withstanding Voltage: AC 2500V/1 minute  
 Operation Temperature: -33°C to +105°C  
 Strip Length: .197-.236 (5-6mm)  
 Max. Torque: 3.04 lb-in (3.5kgf. cm)

- Materials:**
- Body: PA66 (Nylon), UL94 V-0
  - Screw: M2.5\*P0.45, C1018 Steel, Zinc Plated
  - Terminal: Brass, Nickel Plated
  - Contact: Phosphor Bronze, Tin Plated

Tails may be clipped to achieve specific dimensions.  
 Products cut to specific sizes are uncancellable/ nonreturnable.  
 Parts are subject to change without notice.



**PROPRIETARY AND CONFIDENTIAL**  
 THE INFORMATION CONTAINED IN THIS DRAWING IS THE SOLE PROPERTY OF Major League Electronics. ANY REPRODUCTION IN PART OR AS A WHOLE WITHOUT THE WRITTEN PERMISSION OF Major League Electronics IS PROHIBITED.

UNLESS OTHERWISE SPECIFIED:		NAME		DATE		
DRAWN		EOW		04/16/14		
CHECKED		GWE		04/16/14		
ENG APPR.						
MFG APPR.						ADDRESS: 2533 Centennial Blvd. Jeffersonville, In 47130 Phone: 812-670-4174 Fax: 812-670-4175 E-Mail: mle@mlelectronics.com
INTERPRET GEOMETRIC TOLERANCING PER:		MATERIAL		FINISH		
NEXT ASSY		USED ON		APPLICATION		TITLE: TBW-11-197 Series SIZE DWG. NO. <b>C</b> SCALE 8:1 SHEET 1 OF 1
DIMENSIONS ARE IN INCHES		TOLERANCES:		FOUR DECIMAL ±.002		REV <b>A</b>
ONE DECIMALS ±.100		THREE DECIMAL ±.005		FOUR DECIMAL ±.002		