

Fast Rectifiers

RS1A - RS1M

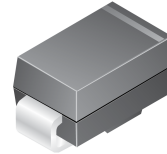
Features

- Glass–Passivated Junction
- For Surface Mounted Applications
- Built–in Strain Relief, Ideal for Automated Placement
- UL Certified: Certificate # E326243
- These Devices are Pb–Free and are RoHS Compliant



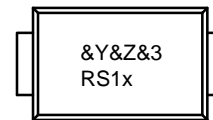
ON Semiconductor®

www.onsemi.com



**SMA
CASE 403AE**

MARKING DIAGRAM



- &Y = ON Semiconductor Logo
- &Z = Assembly Plant Code
- &3 = Date Code (Year & Week)
- RS1x = Specific Device Code
- x = A/B/D/G/J/K/M

ORDERING INFORMATION

| Part Number | Marking | Package | Shipping† |
|-------------|---------|------------------|--------------------|
| RS1A | RS1A | SMA (Pb–Free) | 7500 / Tape & Reel |
| RS1B | RS1B | | |
| RS1D | RS1D | | |
| RS1G | RS1G | | |
| RS1J | RS1J | | |
| RS1K | RS1K | | |
| RS1M | RS1M | | |

†For information on tape and reel specifications, including part orientation and tape sizes, please refer to our Tape and Reel Packaging Specifications Brochure, BRD8011/D.

RS1A – RS1M

SPECIFICATIONS

ABSOLUTE MAXIMUM RATINGS (T_A = 25°C unless otherwise noted)

| Symbol | Parameter | Value | | | | | | | Units |
|--------------------|---|-------------|------|------|------|------|------|------|-------|
| | | RS1A | RS1B | RS1D | RS1G | RS1J | RS1K | RS1M | |
| V _{RRM} | Maximum Repetitive Reverse Voltage | 50 | 100 | 200 | 400 | 600 | 800 | 1000 | V |
| I _{F(AV)} | Average Rectified Forward Current at T _A = 100°C | 1.0 | | | | | | | A |
| I _{FSM} | Non–Repetitive Peak Forward Surge Current: 8.3 ms Single Half–Sine Wave | 30 | | | | | | | A |
| T _J | Operating Junction Temperature | –55 to +150 | | | | | | | °C |
| T _{STG} | Storage Temperature Range | –55 to +150 | | | | | | | °C |

Stresses exceeding those listed in the Maximum Ratings table may damage the device. If any of these limits are exceeded, device functionality should not be assumed, damage may occur and reliability may be affected.

THERMAL CHARACTERISTICS (T_A = 25°C unless otherwise noted)

| Symbol | Parameter | Value | Unit |
|------------------|---|-------|------|
| P _D | Power Dissipation | 1.19 | W |
| R _{θJA} | Junction–to–Ambient Thermal Resistance (Note 1) | 105 | °C/W |
| R _{θJL} | Junction–to–Lead Thermal Resistance (Note 1) | 32 | °C/W |

1. Device mounted on FR–4 PCB 0.013 mm.

ELECTRICAL CHARACTERISTICS (Values are at T_A = 25°C unless otherwise noted)

| Symbol | Parameter | Test Conditions | Value | | | | | | | Unit |
|-----------------|---|--|-------|------|------|------|------|------|------|------|
| | | | RS1A | RS1B | RS1D | RS1G | RS1J | RS1K | RS1M | |
| V _F | Forward Voltage | I _F = 1.0 A | 1.3 | | | | | | | V |
| t _{rr} | Reverse Recovery Time | I _F = 0.5 A, I _R = 1.0 A, I _{rr} = 0.25 A | 150 | | | | 250 | 500 | | ns |
| I _R | Reverse Current at Rated V _R | T _A = 25°C | 5.0 | | | | | | | μA |
| | | T _A = 125°C | 50 | | | | | | | |
| C _T | Total Capacitance | V _R = 4.0 V, f = 1.0 MHz | 10 | | | | | | | pF |

Product parametric performance is indicated in the Electrical Characteristics for the listed test conditions, unless otherwise noted. Product performance may not be indicated by the Electrical Characteristics if operated under different conditions.

RS1A – RS1M

TYPICAL PERFORMANCE CHARACTERISTICS

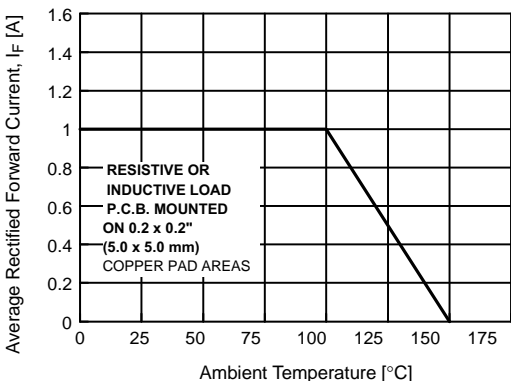


Figure 1. Forward Current Derating Curve

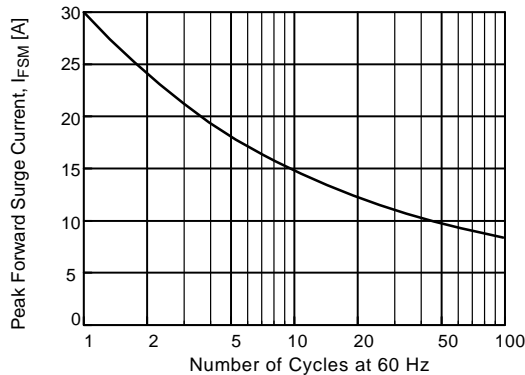


Figure 2. Non-Repetitive Surge Current

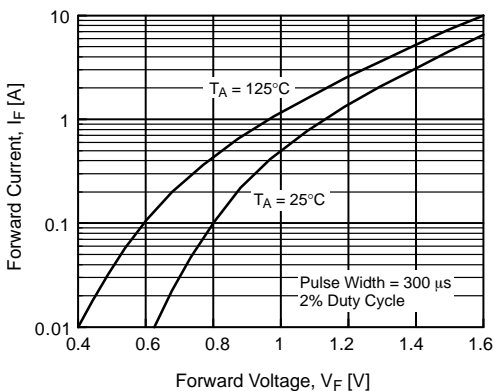


Figure 3. Forward Voltage Characteristics

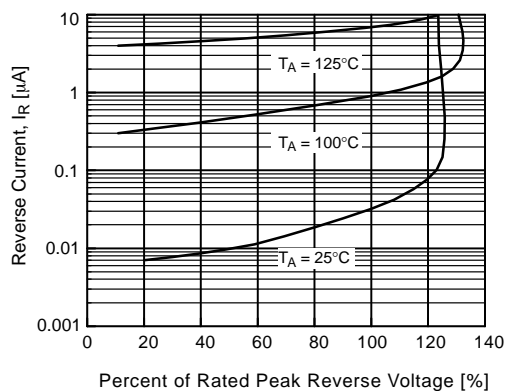


Figure 4. Reverse Current vs. Reverse Voltage

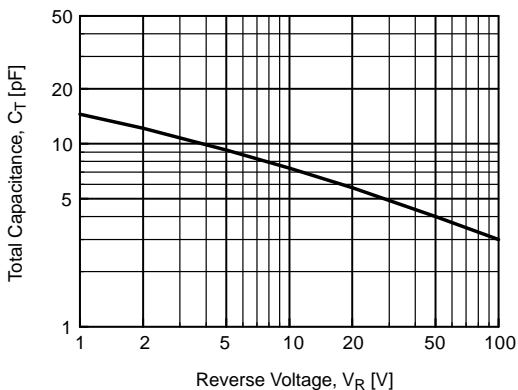


Figure 5. Total Capacitance

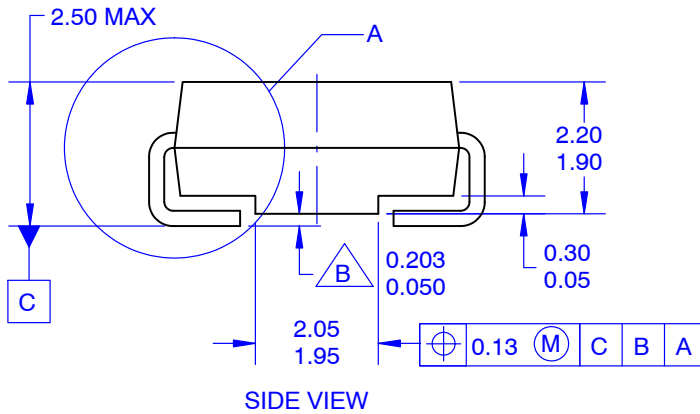
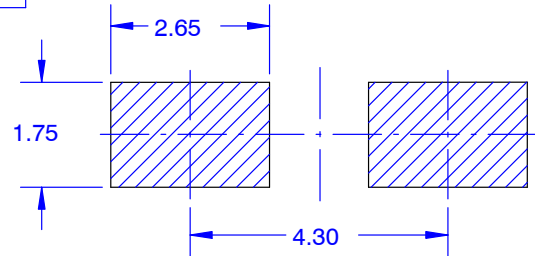
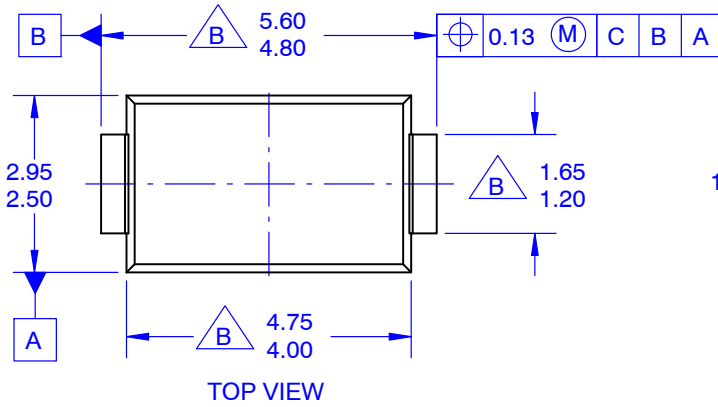
MECHANICAL CASE OUTLINE
PACKAGE DIMENSIONS

ON Semiconductor®



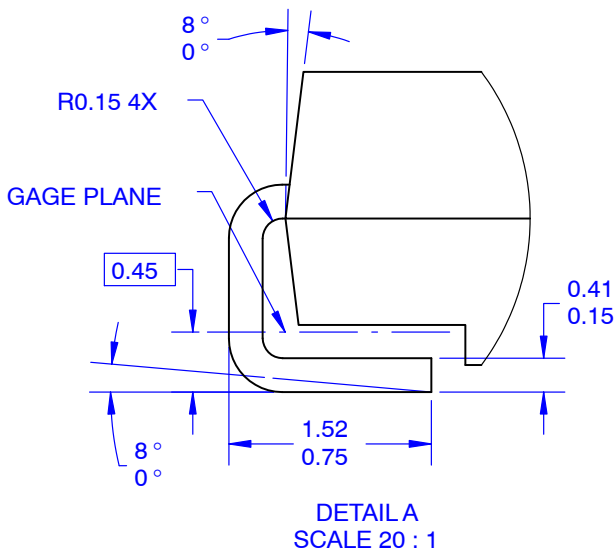
SMA
CASE 403AE
ISSUE O

DATE 31 AUG 2016



NOTES:

- A. EXCEPT WHERE NOTED, CONFORMS TO JEDEC DO214 VARIATION AC.
- B. DOES NOT COMPLY JEDEC STANDARD VALUE.
- C. ALL DIMENSIONS ARE IN MILLIMETERS.
- D. DIMENSIONS ARE EXCLUSIVE OF BURRS, MOLD FLASH AND TIE BAR PROTRUSIONS.
- E. DIMENSIONS AND TOLERANCE AS PER ASME Y14.5-2009.
- E. LAND PATTERN STD. DIOM5025X231M



| | | |
|-------------------------|--------------------|--|
| DOCUMENT NUMBER: | 98AON13440G | Electronic versions are uncontrolled except when accessed directly from the Document Repository. Printed versions are uncontrolled except when stamped "CONTROLLED COPY" in red. |
| DESCRIPTION: | SMA | PAGE 1 OF 1 |

ON Semiconductor and are trademarks of Semiconductor Components Industries, LLC dba ON Semiconductor or its subsidiaries in the United States and/or other countries. ON Semiconductor reserves the right to make changes without further notice to any products herein. ON Semiconductor makes no warranty, representation or guarantee regarding the suitability of its products for any particular purpose, nor does ON Semiconductor assume any liability arising out of the application or use of any product or circuit, and specifically disclaims any and all liability, including without limitation special, consequential or incidental damages. ON Semiconductor does not convey any license under its patent rights nor the rights of others.

onsemi, **Onsemi**, and other names, marks, and brands are registered and/or common law trademarks of Semiconductor Components Industries, LLC dba "**onsemi**" or its affiliates and/or subsidiaries in the United States and/or other countries. **onsemi** owns the rights to a number of patents, trademarks, copyrights, trade secrets, and other intellectual property. A listing of **onsemi**'s product/patent coverage may be accessed at www.onsemi.com/site/pdf/Patent-Marking.pdf. **onsemi** reserves the right to make changes at any time to any products or information herein, without notice. The information herein is provided "as-is" and **onsemi** makes no warranty, representation or guarantee regarding the accuracy of the information, product features, availability, functionality, or suitability of its products for any particular purpose, nor does **onsemi** assume any liability arising out of the application or use of any product or circuit, and specifically disclaims any and all liability, including without limitation special, consequential or incidental damages. Buyer is responsible for its products and applications using **onsemi** products, including compliance with all laws, regulations and safety requirements or standards, regardless of any support or applications information provided by **onsemi**. "Typical" parameters which may be provided in **onsemi** data sheets and/or specifications can and do vary in different applications and actual performance may vary over time. All operating parameters, including "Typicals" must be validated for each customer application by customer's technical experts. **onsemi** does not convey any license under any of its intellectual property rights nor the rights of others. **onsemi** products are not designed, intended, or authorized for use as a critical component in life support systems or any FDA Class 3 medical devices or medical devices with a same or similar classification in a foreign jurisdiction or any devices intended for implantation in the human body. Should Buyer purchase or use **onsemi** products for any such unintended or unauthorized application, Buyer shall indemnify and hold **onsemi** and its officers, employees, subsidiaries, affiliates, and distributors harmless against all claims, costs, damages, and expenses, and reasonable attorney fees arising out of, directly or indirectly, any claim of personal injury or death associated with such unintended or unauthorized use, even if such claim alleges that **onsemi** was negligent regarding the design or manufacture of the part. **onsemi** is an Equal Opportunity/Affirmative Action Employer. This literature is subject to all applicable copyright laws and is not for resale in any manner.

PUBLICATION ORDERING INFORMATION

LITERATURE FULFILLMENT:

Email Requests to: orderlit@onsemi.com

onsemi Website: www.onsemi.com

TECHNICAL SUPPORT

North American Technical Support:
Voice Mail: 1 800-282-9855 Toll Free USA/Canada
Phone: 011 421 33 790 2910

Europe, Middle East and Africa Technical Support:

Phone: 00421 33 790 2910

For additional information, please contact your local Sales Representative