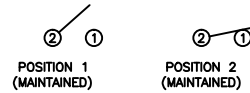


SCHEMATIC



SPECIFICATIONS

FUNCTION:
1P1T OFF-ON

RATINGS:
ANSI/UL 1054 and CAN/CSA C22.2 No. 55 (E194579):
10A 125VAC [UR, cUR]

EN 61058-1:2002:
6(2)A 250V~ μ 1E4 T125/55 [ENEC14]

CONTACT RESISTANCE:
Initial: 35mΩ Max. at 50VAC

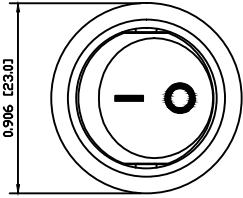
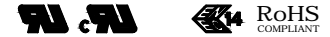
INSULATION RESISTANCE:
100MΩ Min. at 500VDC

DIELECTRIC STRENGTH:
1,500VAC For 1 Minute

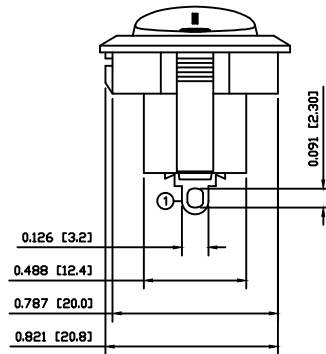
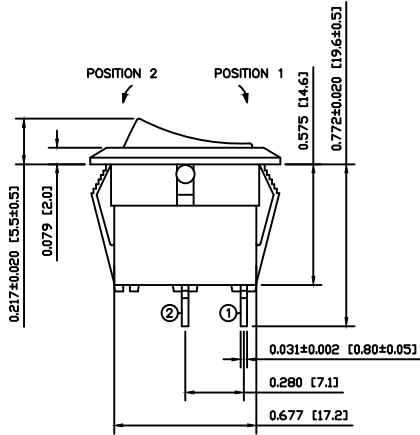
ELECTRICAL LIFE:
6,000 Cycles [UR, cUR]
10,000 Cycles [ENEC14]

TEMPERATURE:
Operating: -20°C to 85°C

APPROVALS:



0.906 [23.0]



COLORS AND MARKINGS

BODY:
Black

ACTUATOR:
Black

MARKINGS:
I/O Vertical (1)

MARKING COLOR:
White

MATERIALS

BODY:
Polyamide 6/6 (PA66), UL94 V-2

ACTUATOR:
Polyamide 6/6 (PA66), UL94 V-2

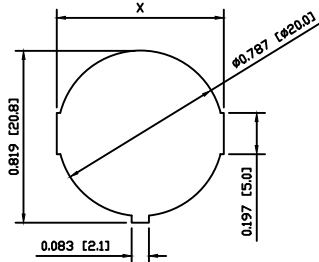
SPRING:
Steel

SPRING COVER:
Steel

CONTACTS:
Silver Alloy Plated Copper

TERMINALS:
Silver Plated Copper

SUGGESTED PANEL CUTOUT



PANEL THICKNESS		X
0.030~0.049	[0.75~1.25]	0.795 [20.2]
0.049~0.079	[1.25~2.00]	0.803 [20.4]
0.079~0.118	[2.00~3.00]	0.811 [20.6]

ACTUATOR	A	06/08/10	CAB
BODY	B	10/03/31	CAB
COLORS	A	06/08/10	CAB
MATERIALS	A	06/08/10	CAB
SPECIFICATIONS	B	10/04/01	CAB
REFERENCE	REV.	DATE	BY

THE INFORMATION CONTAINED IN THIS DOCUMENT IS PROPRIETARY TO E-SWITCH-LAMB INDUSTRIES AND IS NOT TO BE COPIED OR TRANSFERRED

REV.	A	Release for Production	22147	02/03/16	MW
		DESCRIPTION	PCR	DATE	DRAWN BY

DIMENSIONS	INCHES [MILLIMETERS]
GENERAL TOLERANCES	±0.008 [±0.2] / ±1"
SCALE	DRAWING NOT TO SCALE
PROJECTION	

RR15131121			
ITEM NUMBER	DATE	REVISION	
38-RR15131121	02/03/2016	A	