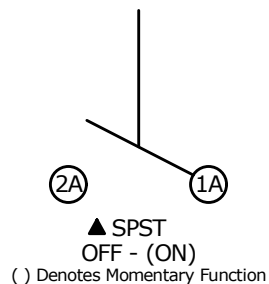
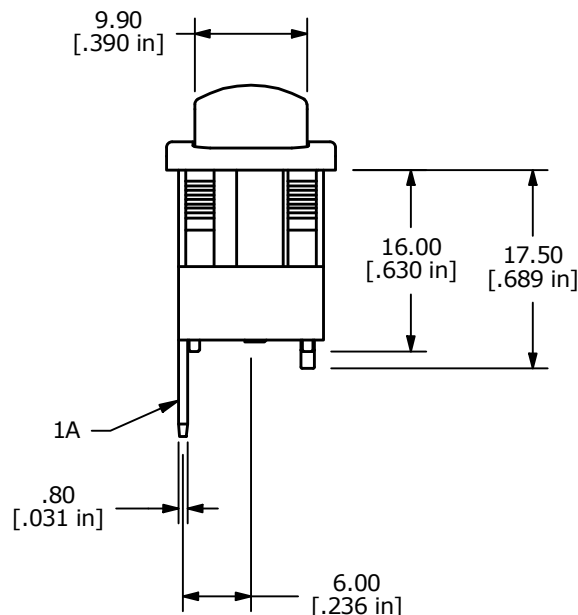
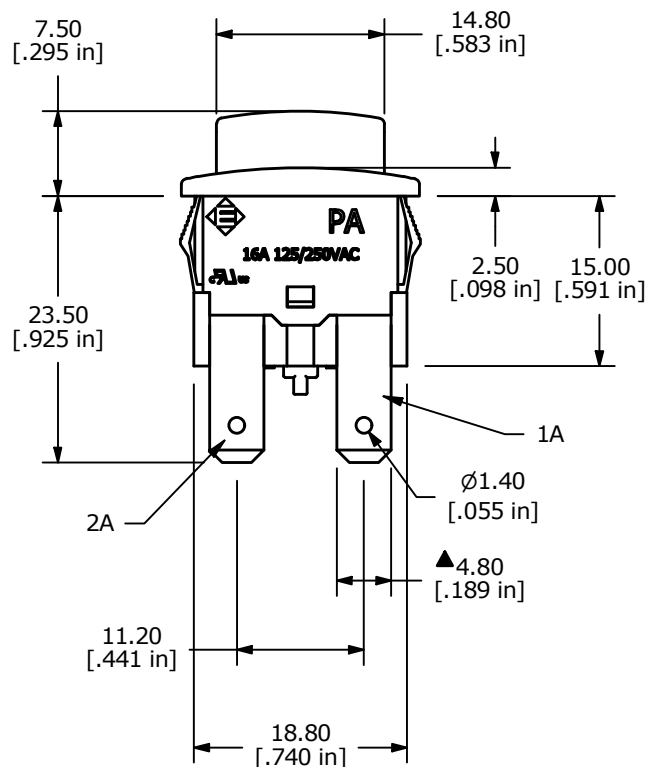
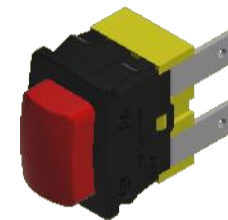
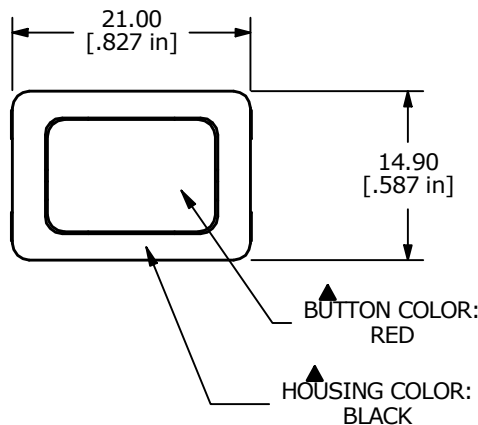


PANEL THICKNESS	X
0.75-1.25	19.2
1.25-2.00	19.4
2.00-3.00	19.8

RECOMMENDED
PANEL CUT-OUT



SCHEMATIC



- NOTES:
1. ALL DIMENSIONS IN MM [INCH]
 2. GENERAL TOLERANCE: X.X=± 0.4
X.XX=± 0.25
 3. ELECTRICAL LIFE: 6,000 [cURus]
 4. CONTACT RESISTANCE: 20 mΩ MAX. INITIAL
 5. INSULATION RESISTANCE: 100 MΩ AT 500VDC
 6. OPERATING TEMPERATURE: -20°C TO +65°C [cURus]
 7. CONTACT RATING: 16A, 125VAC-250VAC, [cURus]
 8. DIELECTRIC STRENGTH: 1000V FOR 1 MINUTE
 9. TERMINALS TO BE SILVER PLATED
 10. ▲ DENOTES CRITICAL PARAMETER

REV	ECO NO	DESCRIPTION	DATE	BY
C	ECO-100481	REMOVE VDE FROM NOTES	12/13/21	JS



OBJECT ID
00000201

TITLE PA414C1900				
SCALE 3:2	DATE 8/4/2014	DR RC	DWG 14-PA414C1900	REV C

THE INFORMATION CONTAINED IN THIS DOCUMENT IS PROPRIETARY TO E-SWITCH AND IS NOT TO BE COPIED OR TRANSFERRED