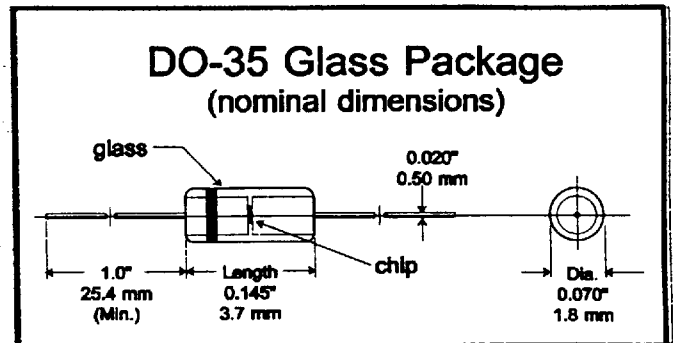


Applications

Used in general purpose applications, where performance and switching speed are important.

Features

- Six sigma quality
- Metallurgically bonded
- BKC's Sigma Bond™ plating for problem free solderability
- LL-34/35 MELF SMD available
- Full approval to Mil-S-19500 /144
- Available up to JANTXV-1 levels
- "S" level screening available to Source Control Drawings



Maximum Ratings	Symbol	Value	Unit
Peak Inverse Voltage @ 5 μ A & 0.1 μ A @ -55°C	PIV	75 (Min.)	Volts
Average Rectified Current	I _{Avg}	200	mAmps
Continuous Forward Current	I _{Fdc}	300	mAmps
Peak Surge Current (t _{peak} = 1 sec.)	I _{peak}	1.0	Amp
Power Dissipation T _L = 50 °C, L = 3/8" from body	P _{tot}	500	mWatts
Operating Temperature Range	T _{Op}	-65 to +175	°C
Storage Temperature Range	T _{St}	-65 to +200	°C

Electrical Characteristics @ 25 °C	Symbol	Maximum Limits	Unit
Forward Voltage Drop @ I _F = 10 mA	V _F	1.0 (1.2 @ 150 °C)	Volts
Reverse Leakage Current @ V _R = 50 V	I _R	0.1 (100 @ 150 °C)	μ A
Capacitance @ V _R = 0 V, f = 1mHz	C _T	2.0	pF
Reverse Recovery Time (note 1)	t _{rr}	4.0	nSecs
Forward Recovery Time (note 2)	V _{fr}	30	nSecs

Note 1: Per Method 4031 -B with I_F = I_R = 10 mA, R_L = 100 Ohms, C = 3 Pf.

Note 2: Per Method 4026 with I_F = 100mA, t_r < 0.4 nS.

To order MIL parts, use the 1N4454-1 number with the appropriate JAN, JTX or JTXV prefix.

The SMD DO-213AA comes in both commercial (LL4454) and military versions (1N4454UR-1).



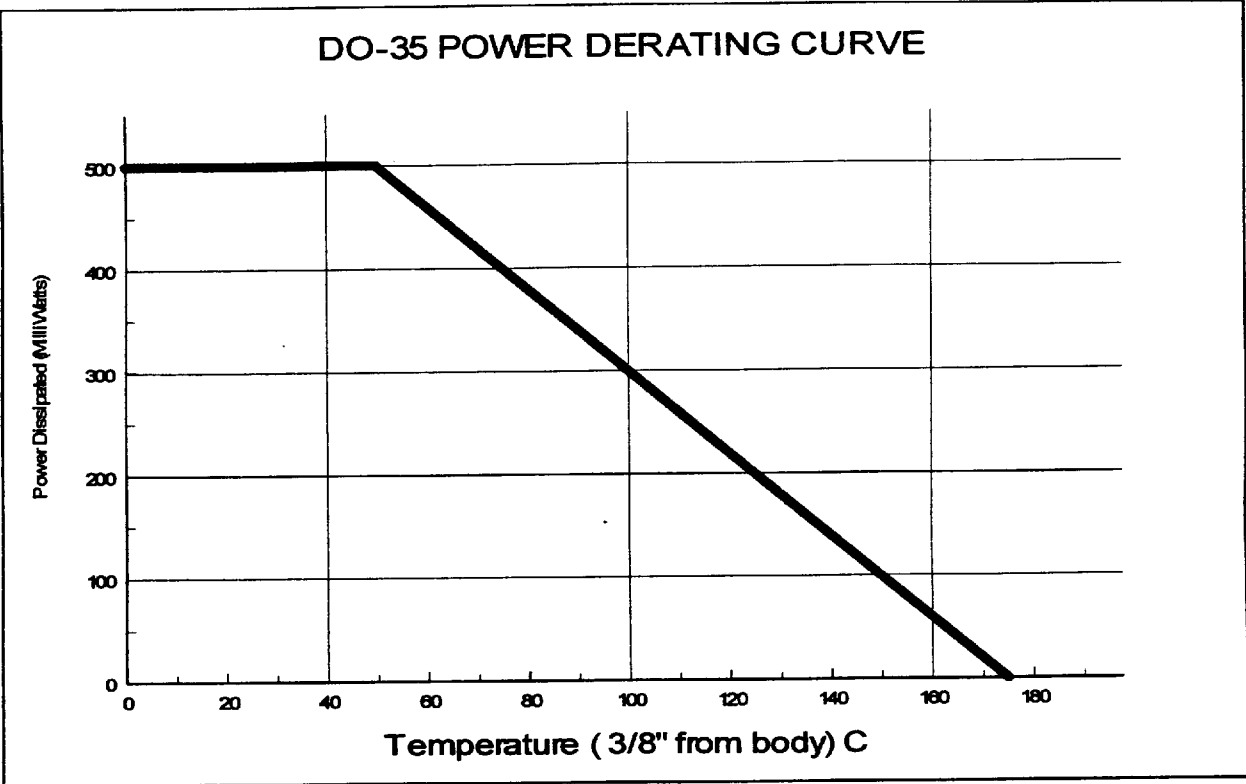
BKC Semiconductors Inc.

6 Lake St · Lawrence, MA · 01841 · tel: (978) 681-0392 · fax: (978) 681-9135

■ 1179983 0000634 491 ■

61

DO-35 DERATING (175 C Tj)



BKC Semiconductors Inc.

6 Lake St · Lawrence, MA · 01841 · tel: (978) 681-0392 · fax: (978) 681-9136

■ 1179983 0000635 328 ■

62