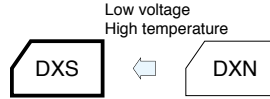


3.6V Miniaturized Low ESR High Temperature Capacitors

GREEN CAP

85°C

- Long life of 3.6V 2000 hours, low ESR in DX series and this size.
- 5mm tall. Max. thin profile (H-shaped).
- Wider temperature range (-25 to +85°C) than battery.
- Miniaturized but can encase up to 0.47F in 11.5×5Lmm case and 1.0F in 19.0×20.5L mm case.
- It excels in rapid charge.
- Ideal for backing up of CMOS's, IC's of camera, microcomputers, RAM's, RTC's and the like used in audio, general electronic device, and others.



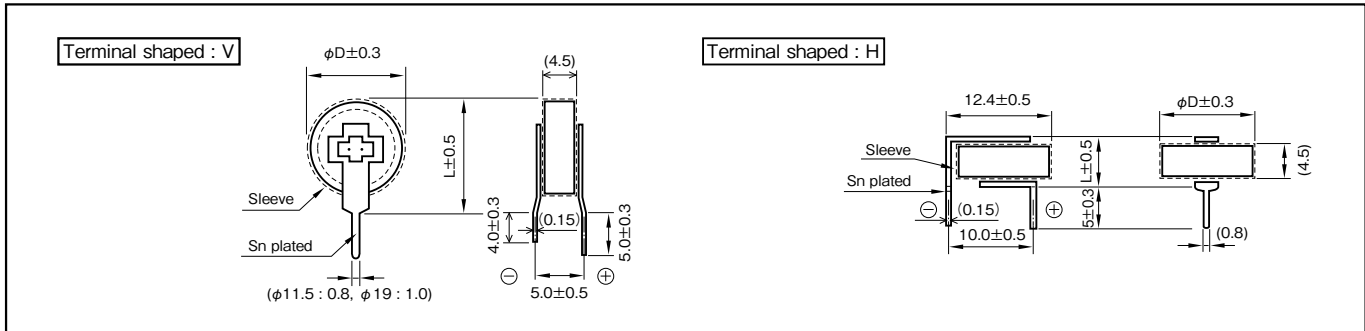
Marking color : White print on a black sleeve

Specifications

| Item | Performance | | | | | | | |
|---|--|---|-----|------|------|-------------|-------------|----|
| Category temperature range (°C) | -25 to +85 | | | | | | | |
| Tolerance at rated capacitance (%) | -20 to +80 | | | | | | | |
| Internal resistance at 1 kHz | Rated capacitance (F) | 0.047 | 0.1 | 0.22 | 0.33 | 0.47 | 0.47 | 1 |
| | Internal resistance (Ω Max.) | 25 | 25 | 25 | 25 | 25 (φ 11.5) | 20 (φ 19.0) | 20 |
| Characteristics at high and low temperature | Percentage of capacitance change | Within ±30% of the value at 20°C | | | | | | |
| | Internal resistance | Less than five times of the value at 20°C | | | | | | |
| Endurance (85°C) | Test time | 2000 hours (φ 11.5 0.47F : 1000 hours) | | | | | | |
| | Percentage of capacitance change | Within ±30% of the initial measured value | | | | | | |
| | Internal resistance | Less than four times of the initial specified value | | | | | | |
| Shelf life (85°C) | Test time : 1000 hours ; Same as endurance. | | | | | | | |
| Applicable standards | Conforms to JIS C5160-1 2009(IEC 62391-1 2006) | | | | | | | |

Outline Drawing

Unit : mm



Part numbering system (example : 3.6V0.22F)

| | | | | | | |
|-------------|---|------------------------------|-----------------|--------------------------|-------------------|---|
| DXS | — | 3R6 | □ | 224 | □ | U |
| Series code | | Max.operating voltage symbol | Terminal shaped | Rated capacitance symbol | Additional symbol | |

Part number is refer to following table.

Note

Do not apply external force to products or terminals as stress such as twisting, bending, pushing, or falling of such products or terminals may remove the terminals, resulting in an open/short circuit or liquid leakage. Avoid applying excessive heat to capacitors during heating of an adhesive curing oven. For details, refer to the precautions in use of DYNACAP.

Standard Ratings

| Max. operating voltage (V) | Rated capacitance (F) | ELNA Parts No. | φD×L (mm) |
|----------------------------|-----------------------|----------------|-----------|
| 3.6 | 0.047 | DXS-3R6V473U | 11.5×13.0 |
| | | DXS-3R6H473U | 11.5× 5.0 |
| 3.6 | 0.1 | DXS-3R6V104U | 11.5×13.0 |
| | | DXS-3R6H104U | 11.5× 5.0 |
| 3.6 | 0.22 | DXS-3R6V224U | 11.5×13.0 |
| | | DXS-3R6H224U | 11.5× 5.0 |
| 3.6 | 0.33 | DXS-3R6V334U | 11.5×13.0 |
| | | DXS-3R6H334U | 11.5× 5.0 |
| 3.6 | 0.47 | DXS-3R6V474SU | 11.5×13.0 |
| | | DXS-3R6H474SU | 11.5× 5.0 |
| | | DXS-3R6V474U | 19.0×20.5 |
| 3.6 | 1 | DXS-3R6V105U | 19.0×20.5 |

*It can charge and discharge with 1.5 times as much current (mA) as rated capacitance.