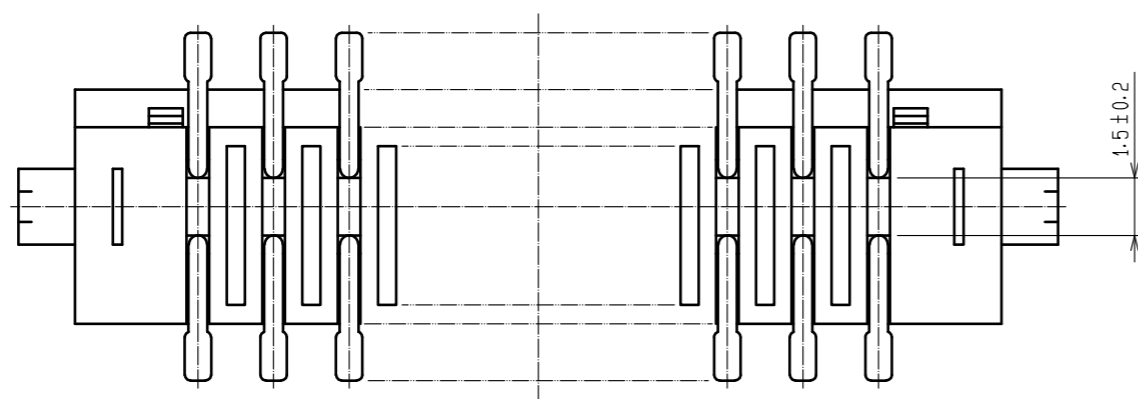
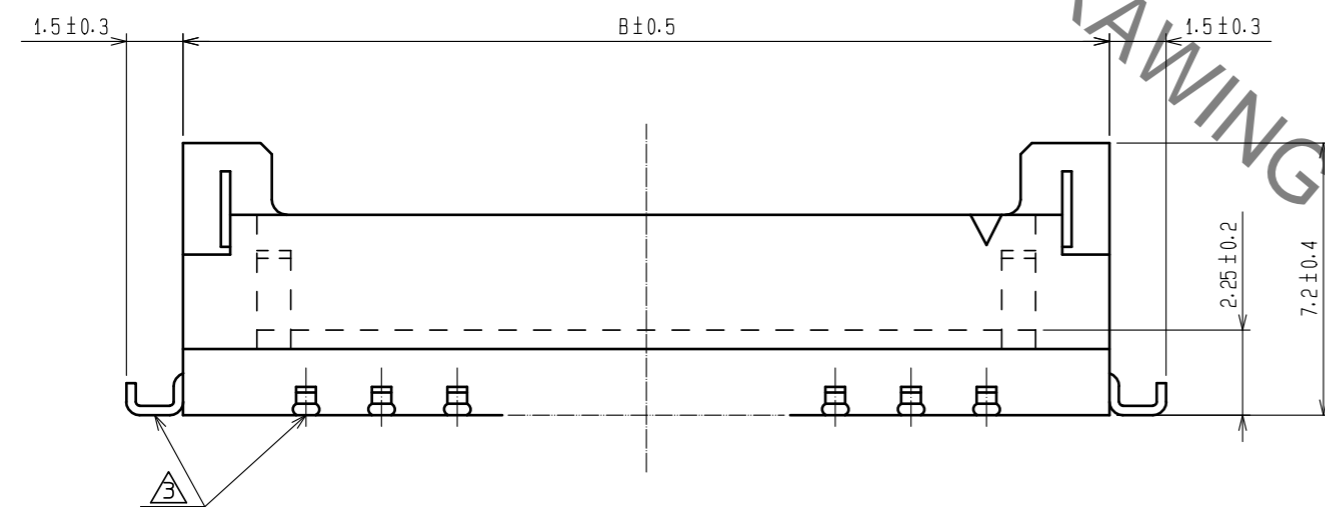
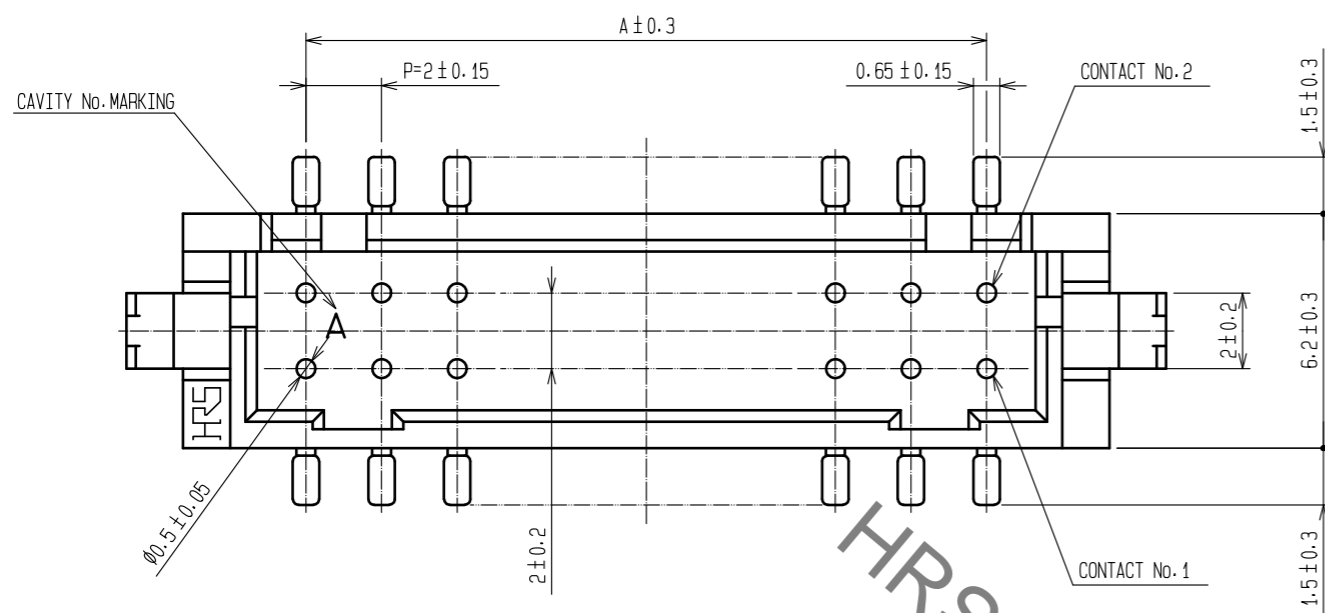
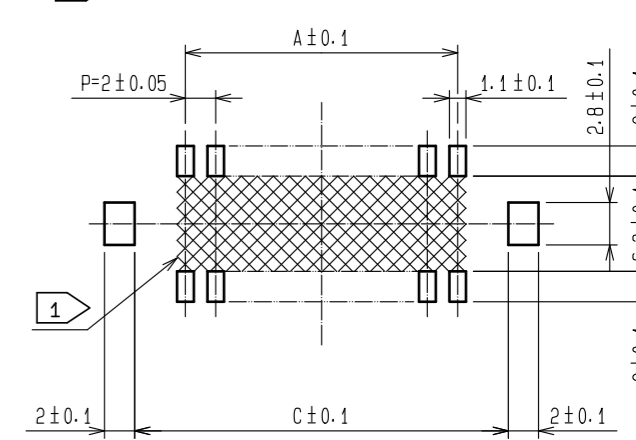


Apr.1.2022 Copyright 2022 HIROSE ELECTRIC CO., LTD. All Rights Reserved.
In case of consideration for using Automotive equipment / device which demand high reliability, kindly contact our sales window correspondents.



CODE No.	PART No.	NUMBER OF CONTACT	A	B	C
CL543-2047-4-27	DF11CZ- 4DP-2V(27)	4	2	8.5	8.7
CL543-2048-7-27	DF11CZ- 6DP-2V(27)	6	4	10.5	10.7
CL543-2049-0-27	DF11CZ- 8DP-2V(27)	8	6	12.5	12.7
CL543-2050-9-27	DF11CZ-10DP-2V(27)	10	8	14.5	14.7
CL543-2051-1-27	DF11CZ-12DP-2V(27)	12	10	16.5	16.7
CL543-2052-4-27	DF11CZ-14DP-2V(27)	14	12	18.5	18.7
CL543-2053-7-27	DF11CZ-16DP-2V(27)	16	14	20.5	20.7
CL543-2054-0-27	DF11CZ-18DP-2V(27)	18	16	22.5	22.7
CL543-2055-2-27	DF11CZ-20DP-2V(27)	20	18	24.5	24.7
CL543-2056-5-27	DF11CZ-22DP-2V(27)	22	20	26.5	26.7
CL543-2057-8-27	DF11CZ-24DP-2V(27)	24	22	28.5	28.7
CL543-2058-0-27	DF11CZ-26DP-2V(27)	26	24	30.5	30.7
CL543-2059-3-27	DF11CZ-28DP-2V(27)	28	26	32.5	32.7
CL543-2060-2-27	DF11CZ-30DP-2V(27)	30	28	34.5	34.7
CL543-2061-5-27	DF11CZ-32DP-2V(27)	32	30	36.5	36.7
CL543-2062-8-27	DF11CZ-40DP-2V(27)	40	38	44.5	44.7

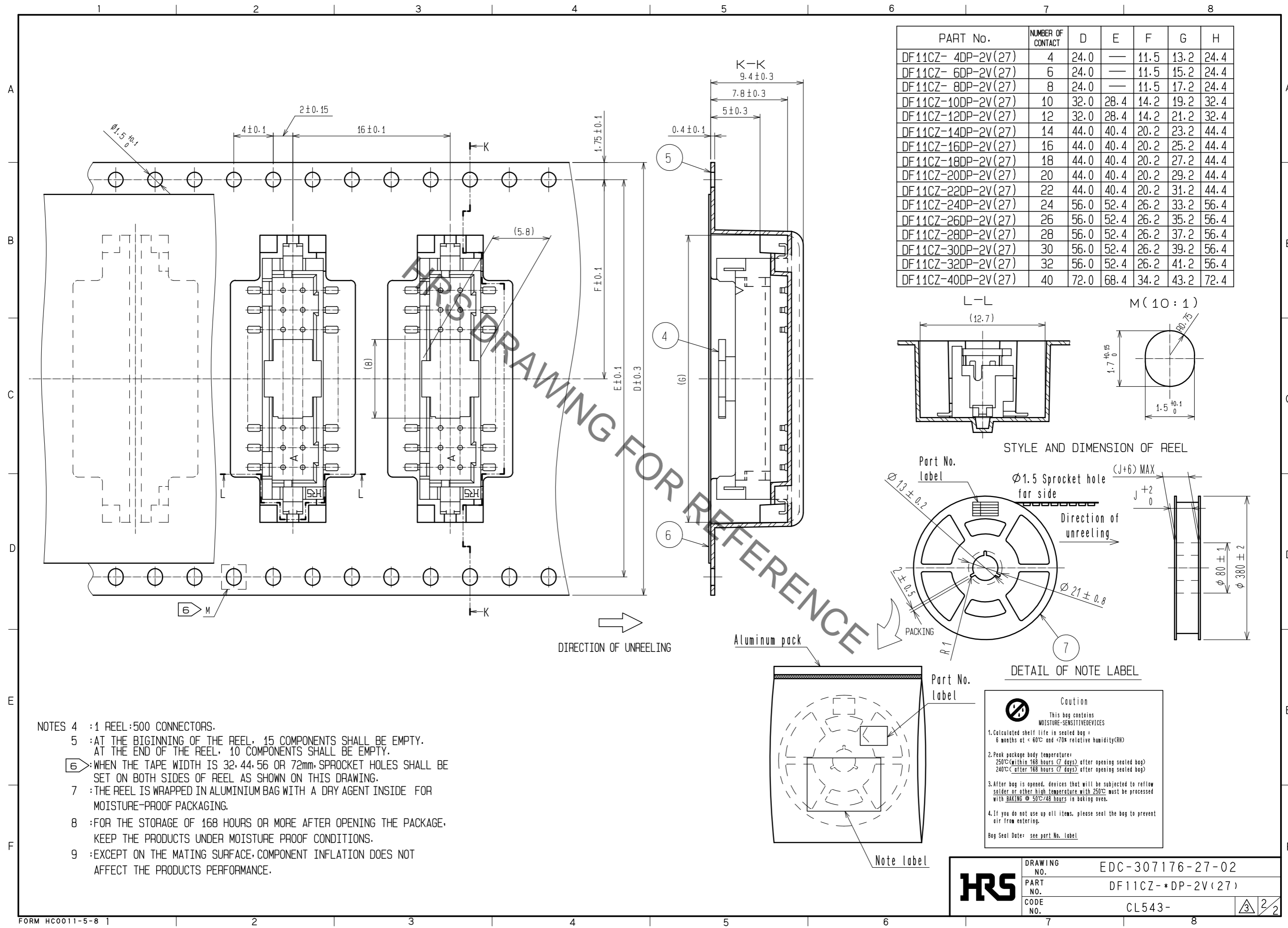
3 RECOMMENDED PATTERN(2:1)



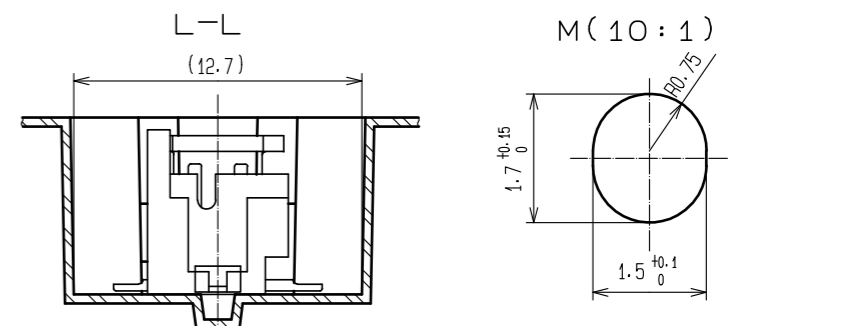
- NOTES
- 1: IF THERE IS PATTERN ON PART, THERE IS A POSSIBILITY THAT IT WILL MAKE CONTACT WITH THE LEADS.
 - 2: LEAD CO-PLANARITY INCLUDE REINFORCED METAL FITTINGS SHALL BE 0.1mm MAX.
 - 3: RECOMMENDED METAL MASK THICKNESS: 0.15-0.2mm
OPEN AREA RATIO: 100%

2	BRASS	SURFACE:TIN PLATED 1μm min UNDER PLATING:COPPER PLATED 0.5μm min	7	PS	REEL
1	POLYAMIDE	UL94V-0, NATURAL (BEIGE)	6	POLYESTER	CLEAR(COVER TAPE)
			5	PS	CLEAR(EMBOSSD CARRIER TAPE)
			4	POLYAMIDE	BLACK(ADSORPTIVE CAP)
			3	BRASS	TIN PLATED 1μm min
NO.	MATERIAL	FINISH . REMARKS	NO.	MATERIAL	FINISH . REMARKS
UNITS mm		SCALE 5 : 1	COUNT 1	DESCRIPTION OF REVISIONS DIS-H-00011128	
				DESIGNED TS.MIYAKI	CHECKED SZ.ONO
				DATE 20211006	
HRS HIROSE ELECTRIC CO., LTD.		APPROVED : TY. OMA 20060406	DRAWING NO. EDC-307176-27-02		
		CHECED : HK. UMEHARA 20060406	PART NO. DF11CZ- *DP-2V(27)		
		DESIGNED : NS. HIROSE 20060406	CODE NO. CL543-		
		DRAWN : AK. MIURA 20060222			

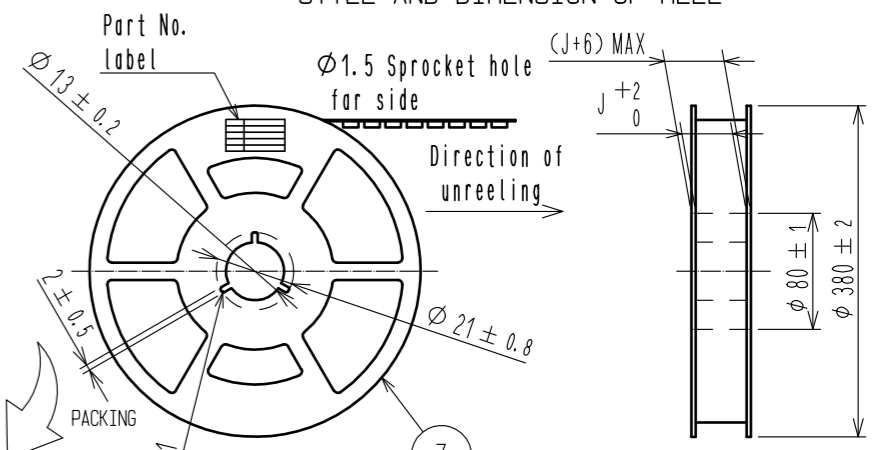
Apr.1.2022 Copyright 2022 HIROSE ELECTRIC CO., LTD. All Rights Reserved.
In case of consideration for using Automotive equipment / device which demand high reliability, kindly contact our sales window correspondents.



PART No.	NUMBER OF CONTACT	D	E	F	G	H
DF11CZ- 4DP-2V(27)	4	24.0	—	11.5	13.2	24.4
DF11CZ- 6DP-2V(27)	6	24.0	—	11.5	15.2	24.4
DF11CZ- 8DP-2V(27)	8	24.0	—	11.5	17.2	24.4
DF11CZ-10DP-2V(27)	10	32.0	28.4	14.2	19.2	32.4
DF11CZ-12DP-2V(27)	12	32.0	28.4	14.2	21.2	32.4
DF11CZ-14DP-2V(27)	14	44.0	40.4	20.2	23.2	44.4
DF11CZ-16DP-2V(27)	16	44.0	40.4	20.2	25.2	44.4
DF11CZ-18DP-2V(27)	18	44.0	40.4	20.2	27.2	44.4
DF11CZ-20DP-2V(27)	20	44.0	40.4	20.2	29.2	44.4
DF11CZ-22DP-2V(27)	22	44.0	40.4	20.2	31.2	44.4
DF11CZ-24DP-2V(27)	24	56.0	52.4	26.2	33.2	56.4
DF11CZ-26DP-2V(27)	26	56.0	52.4	26.2	35.2	56.4
DF11CZ-28DP-2V(27)	28	56.0	52.4	26.2	37.2	56.4
DF11CZ-30DP-2V(27)	30	56.0	52.4	26.2	39.2	56.4
DF11CZ-32DP-2V(27)	32	56.0	52.4	26.2	41.2	56.4
DF11CZ-40DP-2V(27)	40	72.0	68.4	34.2	43.2	72.4



STYLE AND DIMENSION OF REEL

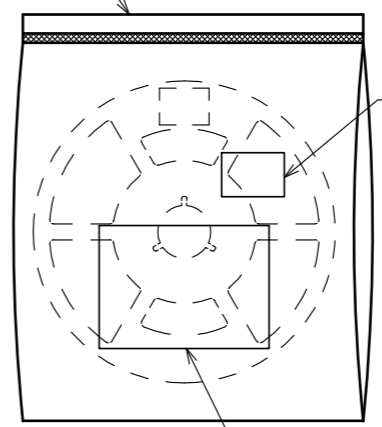


DETAIL OF NOTE LABEL

Caution
This bag contains
MOISTURE-SENSITIVE DEVICES

- Calculated shelf life in sealed bag :
6 months at < 60°C and < 70% relative humidity(RH)
- Peak package body temperature:
250°C (within 168 hours (7 days) after opening sealed bag)
240°C (after 168 hours (7 days) after opening sealed bag)
- After bag is opened, devices that will be subjected to reflow solder or other high temperature with 250°C must be processed with BAKING @ 50°C/48 hours in baking oven.
- If you do not use up all items, please seal the bag to prevent air from entering.

Bag Seal Date: see part No. Label



- NOTES
- 4 : 1 REEL : 500 CONNECTORS.
 - 5 : AT THE BEGINNING OF THE REEL, 15 COMPONENTS SHALL BE EMPTY.
AT THE END OF THE REEL, 10 COMPONENTS SHALL BE EMPTY.
 - 6 : WHEN THE TAPE WIDTH IS 32, 44, 56 OR 72mm, SPROCKET HOLES SHALL BE SET ON BOTH SIDES OF REEL AS SHOWN ON THIS DRAWING.
 - 7 : THE REEL IS WRAPPED IN ALUMINIUM BAG WITH A DRY AGENT INSIDE FOR MOISTURE-PROOF PACKAGING.
 - 8 : FOR THE STORAGE OF 168 HOURS OR MORE AFTER OPENING THE PACKAGE, KEEP THE PRODUCTS UNDER MOISTURE PROOF CONDITIONS.
 - 9 : EXCEPT ON THE MATING SURFACE, COMPONENT INFLATION DOES NOT AFFECT THE PRODUCTS PERFORMANCE.

HRS	DRAWING NO.	EDC-307176-27-02
	PART NO.	DF11CZ-*DP-2V(27)
	CODE NO.	CL543-

3/2