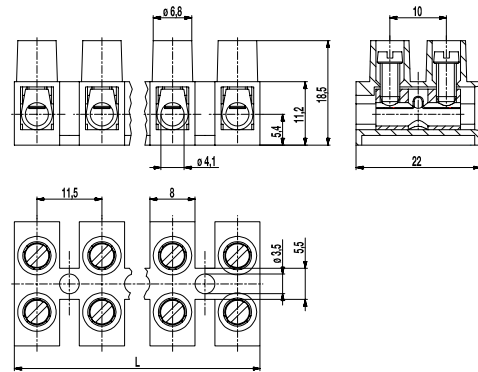
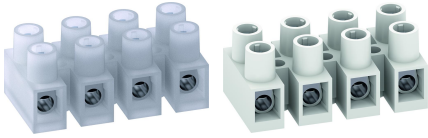


324(-HDS)

Socket terminal strip
Screw connection



GENERAL INFORMATION

Pitch	11,5 mm
No. of poles	1 - 12
Areas of application	For lighting applications and similar electrical equipment.

TECHNICAL DATA

Clamping Range	<i>solid / stranded / AWG</i>		
<i>without wire protector</i>	1 - 10 mm ² / 1 - 6 mm ² / 16 - 10 AWG		
<i>with wire protector</i>	0,75 - 6 mm ² / 0,75 - 4 mm ² / 18 - 12 AWG		
Rated Cross Section	4 mm ²		
Wire Stripping Length	7 mm ± 0,5 mm		
Overvoltage Category	III	III	II
Pollution Severity Level	3	2	2
Rated Voltage	400 V	630 V	1000 V
Rated Impulse Voltage	6 kV	6 kV	6 kV
Rated Insulation Voltage	450 V acc. to EN 60998-1		
Rated Current	32 A		
Torque	0,8 Nm		

APPROVALS

	Current [A]	Voltage [V]	Group	AWG	[Nm]
	35	300	B	22 - 8	0,8
	10	300	D	22 - 8	0,8
	40	300	B	22-10 [1]	0,8
	10	300	D,E	22-10 [1]	0,8

	Current [A]	Voltage [V]	mm ²
	32	450	4,0

MATERIAL

Moulding	PA, natural, V-2 (PA, white, V-0) Details in parentheses apply for "no flame" products.
Comparative Tracking Index	CTI ≥ 600
Insulating Group	I
Temperature Range	-40°C up to 100°C
Terminal body	Nickel plated brass
Screw	M3,5; zinc plated steel, blue passivated
Wire protector	Stainless steel strip

OPTIONS / ACCESSORIES

- Marking options on and between the screw guides
- Marking strips BST-324
- Jumper 324-J
- Screws made out of brass
- Crosshead screws
- Sockets with blind hole
- Up to 24 poles possible

[1] for 324-HDS: 26 - 10 AWG

CONFIGURATIONS

Version	Poles	Item	Article number	Item	Article number	Length (L)	PU
Standard	2	324/02	12.823.003	324-HDS/02	32.823.012	21,00 mm	1000
Standard	3	324/03	13.823.003	324-HDS/03	33.823.012	32,00 mm	800
Standard	4	324/04	14.823.003	324-HDS/04	34.823.012	44,00 mm	500
Standard	5	324/05	15.823.003	324-HDS/05	35.823.012	55,00 mm	250
Standard	6	324/06	16.823.003	324-HDS/06	36.823.012	67,00 mm	100
Standard	7	324/07	17.823.003	324-HDS/07	37.823.012	78,00 mm	75
Standard	8	324/08	18.823.003	324-HDS/08	38.823.012	90,00 mm	75
Standard	9	324/09	19.823.003	324-HDS/09	39.823.012	101,00 mm	50
Standard	10	324/10	20.823.003	324-HDS/10	40.823.012	113,00 mm	50
Standard	12	324/12	22.823.003	324-HDS/12	42.823.012	135,00 mm	50
No-flame	4			324-HDS/04-V0	34.823.022.EN6	44,00 mm	500
No-flame	12			324-HDS/12-V0	42.823.022.EN6	135,00 mm	50

further number of poles on request

