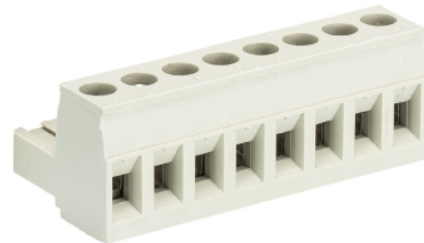


## Data sheet

Commercial Art.No.: 25.340.1153.0

PCB connector 8213 B / 11

PCB female connector with screw connection with rising cage clamp system, 11 poles, printed version, max. cross section: 2.5 mm<sup>2</sup>, pitch: 5.08 mm, type of packing: carton, color: grey



Certificates / Approvals



## Technical data

### General

|                                    |                  |
|------------------------------------|------------------|
| Modular spacing                    | 5.08 mm          |
| Connection type                    | Screw connection |
| Soldering process                  | None             |
| Packaging                          | Carton           |
| Number of poles                    | 11               |
| Marking                            | Yes              |
| Fastening                          | None             |
| Mating direction towards connector | 180°             |

### Technical data

|                          |                     |
|--------------------------|---------------------|
| Nominal cross section    | 2.5 mm <sup>2</sup> |
| Rated current            | 12 A                |
| Overvoltage Category I   | 1000 V              |
| Overvoltage Category II  | 400 V               |
| Overvoltage Category III | 250 V               |
| Rated impulse voltage    | 4 kV                |
| Wire strip length        | 6 mm                |

### Connection Data

|                                     |                      |
|-------------------------------------|----------------------|
| Minimum cross section solid         | 0.14 mm <sup>2</sup> |
| Maximum cross section solid         | 2.5 mm <sup>2</sup>  |
| Minimum cross section fine stranded | 0.14 mm <sup>2</sup> |
| Maximum cross section fine stranded | 2.5 mm <sup>2</sup>  |
| Wire strip length                   | 6 mm                 |

### Technical Data UL/CSA

|                        |           |
|------------------------|-----------|
| Cross section UL       | 22-12 AWG |
| Voltage UL             | 300 V     |
| Current field wiring   | 15 A      |
| Current factory wiring | 15 A      |

|                   |           |
|-------------------|-----------|
| Cross section CSA | 22-12 AWG |
| Voltage CSA       | 300 V     |
| Current CSA       | 15 A      |

**Other**

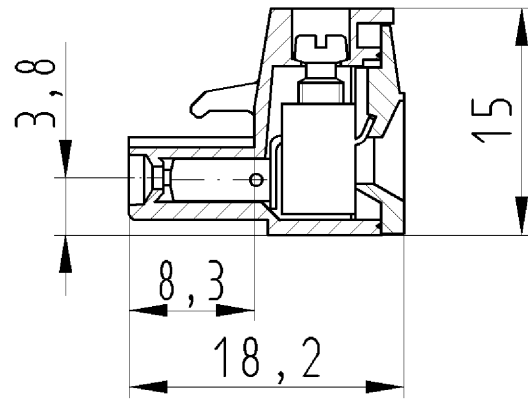
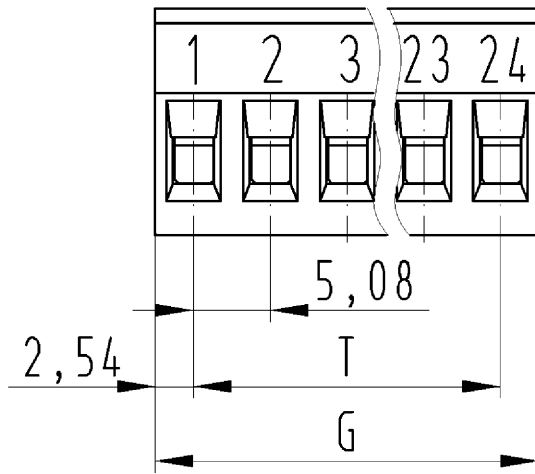
|                             |               |
|-----------------------------|---------------|
| Type of insulation material | Thermoplastic |
| Color                       | Grey          |
| Height                      | 15 mm         |
| Length                      | 55.88 mm      |
| Depth                       | 18.2 mm       |
| Material attachment screw   | CuSn/Steel    |
| Material contact base       | CuSn          |
| Material contact surface    | Sn            |

**Classification**

|            |          |
|------------|----------|
| ECLASS 11  |          |
| ECLASS 8.1 | 27440402 |
| ETIM 7.0   | EC002637 |
| ETIM 6.0   | EC002637 |
| ETIM 5.0   | EC002637 |
| ETIM 4.0   | EC002637 |

**Product compliance**

|                              |                    |
|------------------------------|--------------------|
| ROHS conformity status       | Compliant/Exempted |
| ROHS exceptions              | III-6(c)           |
| REACH-SVHC conformity status | Duty-To-Declare    |
| REACH-SVHC substances        | Lead               |
| REACH-SVHC CAS numbers       | 7439-92-1          |



LP.KLEMME  
25.340.0253.0 10W  
26.10.2007 DÜT  
M 2:1

für folgende Tabellen-Zchnng.:  
25.340.0253.0 8213 B/..