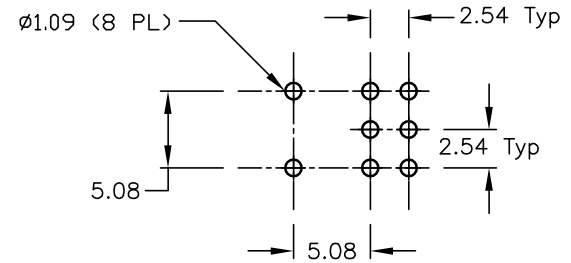
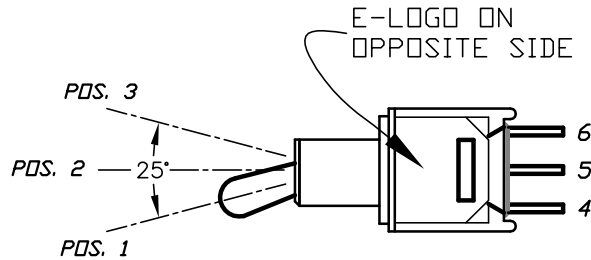
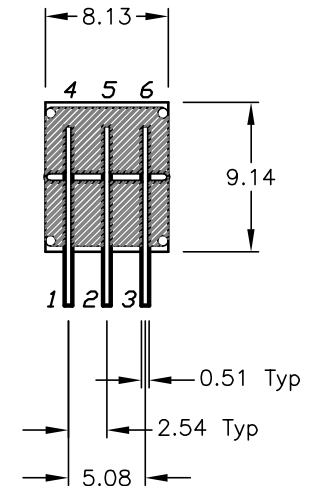
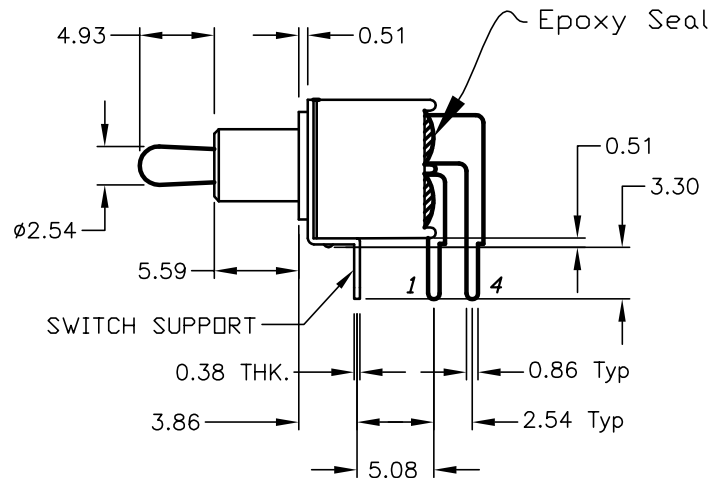
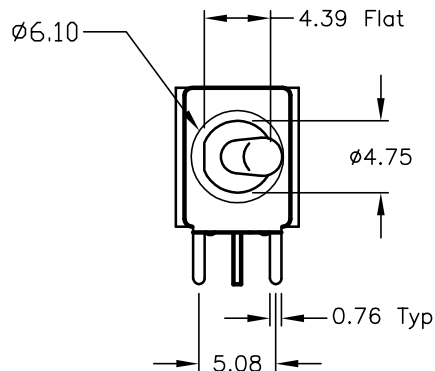


CIRCUIT: DPDT

SWITCH FUNCTION		
PDS. 1	PDS. 2	PDS. 3
ON	NONE	ON
2-3,5-6	OPEN	2-1,5-4



RECOMMENDED P.C.B LAYOUT



NOTES:

1. ALL DIMENSIONS IN MM
2. GENERAL TOLERANCE: X.X=±0.4  
X.XX=±0.25
3. TERM. NOS. FOR REF. ONLY
4. CONTACT RATING: 3A @120VAC; 1A @250VAC (B)
- ▲ 5. FIXED TERMINAL & MOVING CONTACT:  
10 MICRO INCH GOLD PLATE OVER  
400 MICRO INCH SILVER PLATING. (C)
6. ELECTRIC LIFE: 30,000 make-and-break cycles  
at full load.
7. INSULATION RESISTANCE: 1,000 M ohm min.
8. DIELECTRIC STRENGTH: 1,000 V RMS @sea level.
9. OPERATING TEMP.: -30°C to 85°C

C	14460	CORRECT PLATING THICKNESS	11/5/04	AR
B	14403	CORRECT RATING NOTE	10/14/04	AR
A	13677	RELEASED FOR PRODUCTION	12/23/03	AR
REV.	ECN No.	DESCRIPTION	DATE	CHKD

THE INFORMATION CONTAINED IN THIS DOCUMENT IS PROPRIETARY TO E-SWITCH AND IS NOT TO BE COPIED OR TRANSFERRED

**E-SWITCH®**

TITLE				
200MDP1T2B2M6CE				
SCALE	DATE	DR	DWG	REV
2:1	12/23/03	AR	T221063	C