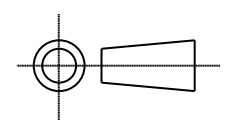
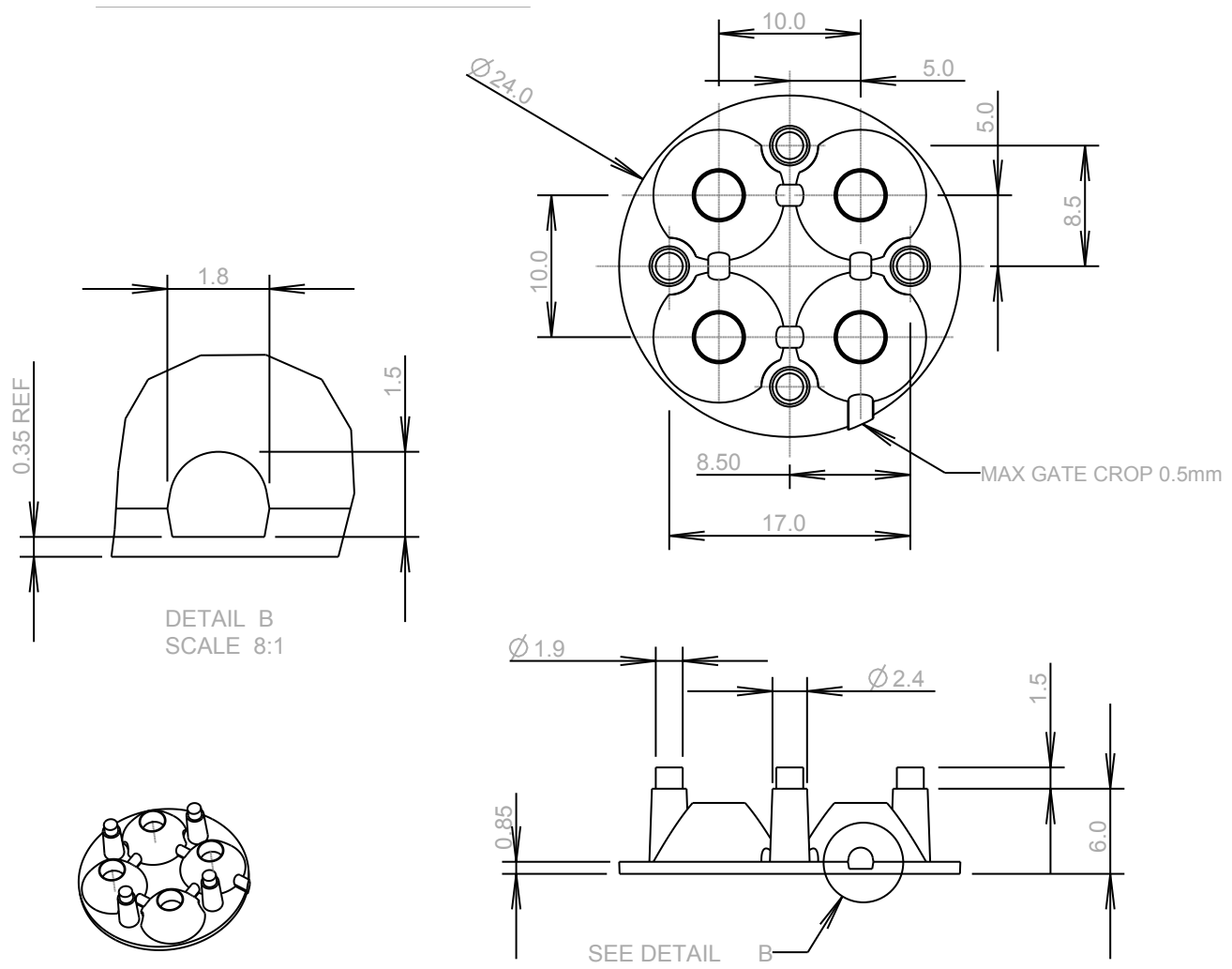


ISS.	DATE	E.C.N.	DESCRIPTION
1	14-May-09		FIRST ISSUE

© 2008 CARCLO
ALL DIMENSIONS IN mm



CUSTOMER DRAWING



DETAIL B
SCALE 8:1

3D GENERAL VIEW
SCALE 1:1

MATERIAL - UV STABILISED CLEAR POLYCARBONATE



CARCLO TECHNICAL PLASTICS (SLOUGH)
111 BUCKINGHAM AVE, SLOUGH
SL1 4PF, ENGLAND
TEL: +44 1753 575011 FAX: +44 1753 811359
e-mail: design@carclo-optics.com

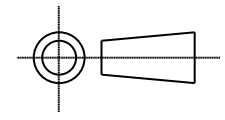
GENERAL TOLERANCES (UNLESS STATED)

LINEAR	ANGULAR
X +/- 0.25	X +/- 1°
X.X +/- 0.1	X.X +/- 0.5°
X.XX +/- 0.05	X.XX +/- 0.1°

CUSTOMER		
CARCLO		
TITLE		
10MM QUAD OPTIC SPOT CIRCULAR FLANGE		
DRAWN	DATE	
MKI	14-May-09	
CHK'D	DATE	
APP'D	DATE	
SCALE	CARCLO PART No.	
2:1	10621	
SIZE	CARCLO DRG. No.	SHEET
A4	60571	1 OF 2

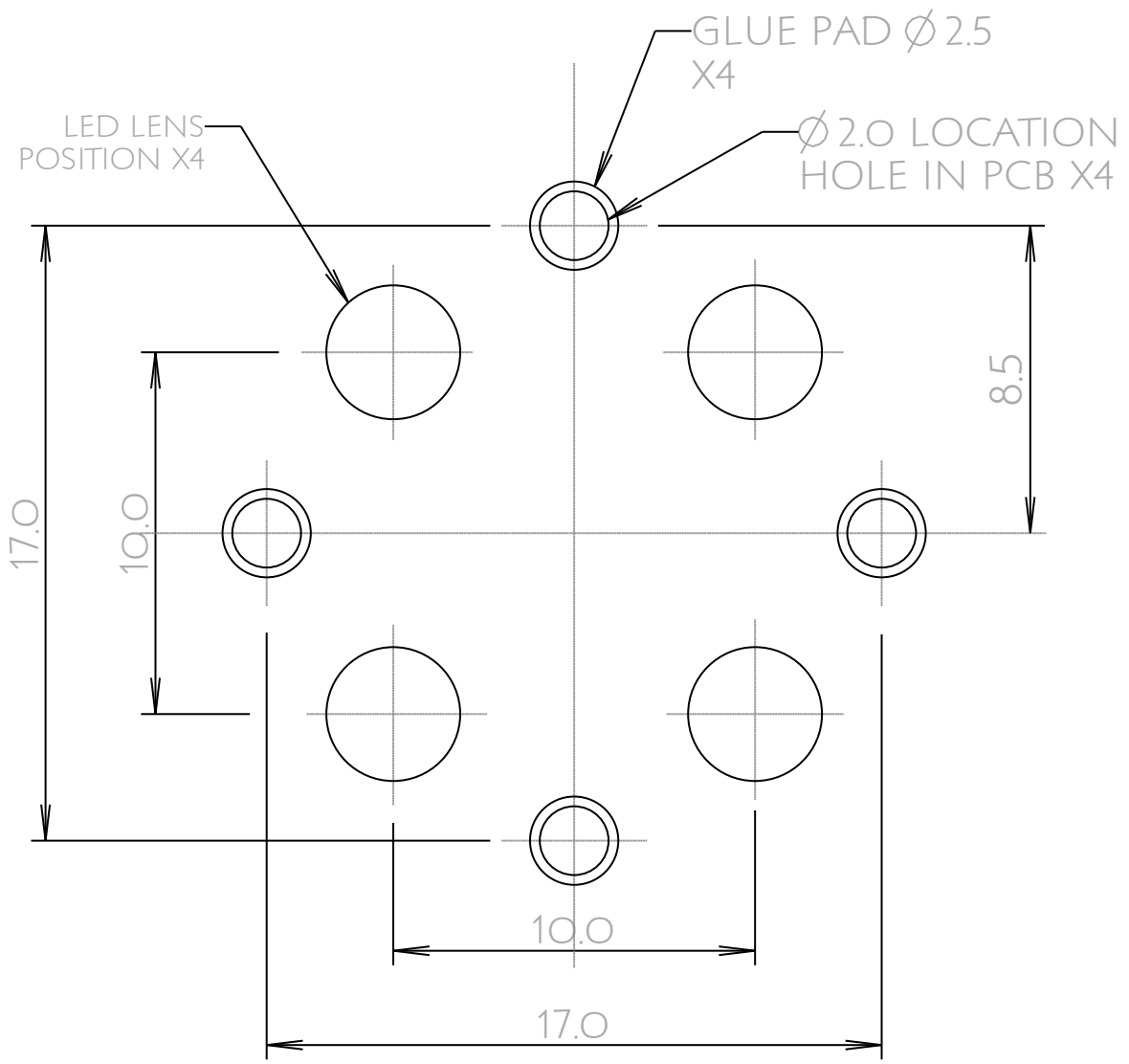
ISS.	DATE	E.C.N.	DESCRIPTION
1	14-May-09		FIRST ISSUE

© 2008 CARCLO
ALL DIMENSIONS IN mm



CARCLO TECHNICAL PLASTICS (SLOUGH)
111 BUCKINGHAM AVE, SLOUGH
SL1 4PF, ENGLAND
TEL: +44 1753 575011 FAX: +44 1753 811359
e-mail: design@carclo-optics.com

PCB HOLE & GLUE PAD LOCATION



GENERAL TOLERANCES (UNLESS STATED)

LINEAR	ANGULAR
X +/- 0.25	X +/- 1°
X.X +/- 0.1	X.X +/- 0.5°
X.XX +/- 0.05	X.XX +/- 0.1°

CUSTOMER
CARCLO

TITLE
10MM QUAD OPTIC SPOT
CIRCULAR FLANGE

DRAWN DATE
MKI 14-May-09

CHK'D DATE

APP'D DATE

SCALE CARCLO PART No.
2:1 10621

SIZE CARCLO DRG. No. SHEET
A4 60571 2 OF 2