

Power Matters.™

[Home](#) > [Line Drivers](#) > [PLC Line Drivers](#) > [Le87502](#)

Products

Line Drivers

- ▶ xDSL Line Drivers (Including Legerity BD870)

PLC Line Drivers

- Le87401
- Le87402
- Le87411
- Le87501
- **Le87502**

- ▶ G.Fast

Le87502

PLC Dual Channel Line Driver BD870 Series

Overview

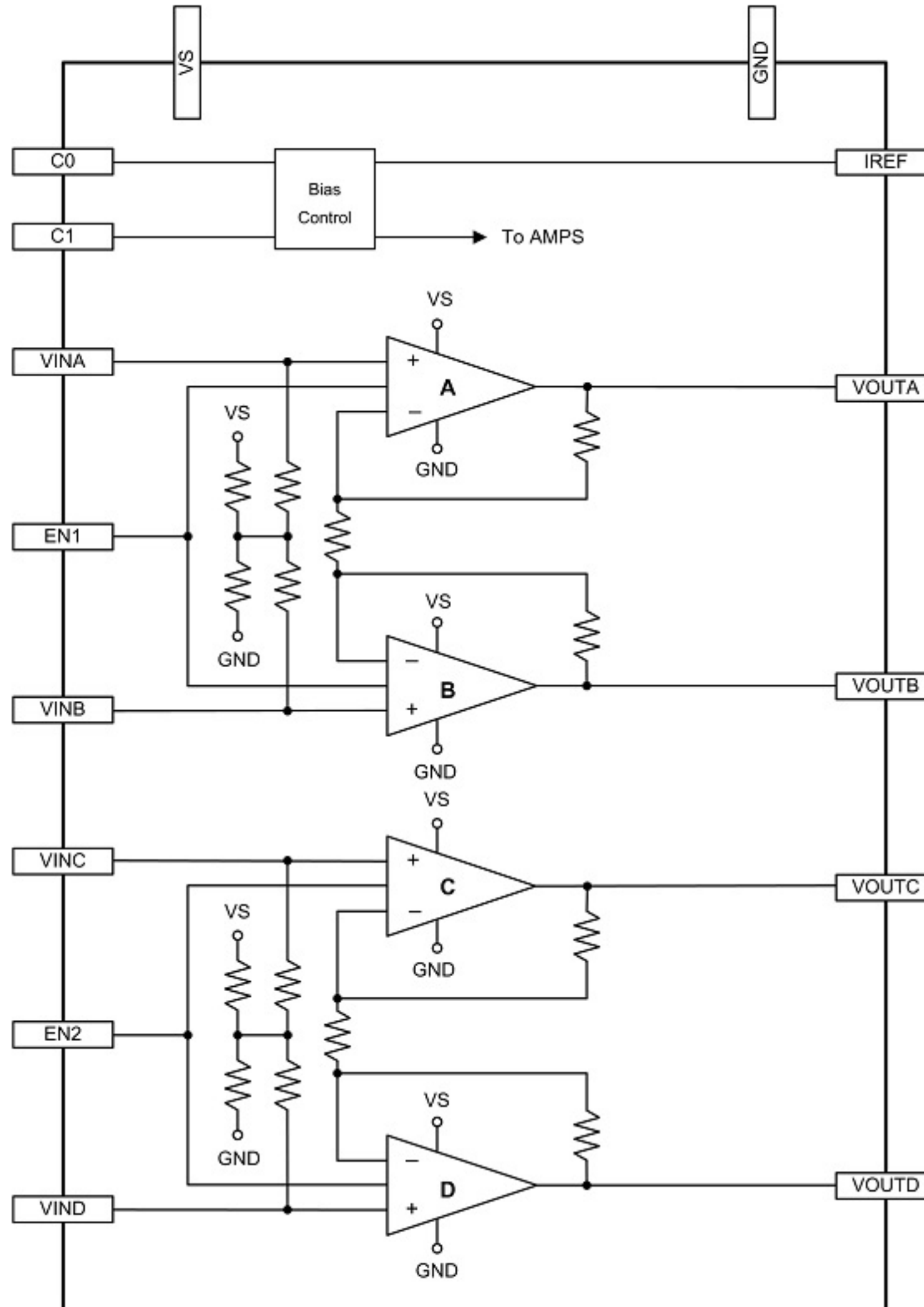
Docs & Specs

Applications

Packaging

The Le87502 is a dual channel line driver designed to work in Home Plug Alliance HPAV2 systems. Each channel can be enabled independently allowing multiple-in, multiple-out (MIMO) or single-in, single-out (SISO) operations. When each channel is enabled, the operating level can be set to Full, 90% or 80% power. The Le87502 delivers superior performance and can drive a line impedance of 100 Ω down to 12 Ω through a proper transformer. In addition, the Le87502 features a Standby state which forces both channels into a long-term sleep mode.

Simplified Block Diagram



Features & Benefits

- Best in Class Density
- Dual Channel Architecture
- 28-pin, 4x5 mm QFN Package
- Low Power Operation
- Class AB Operation
- Independent Channel Enable/Disable Control
- Capable of Driving Line Impedance Between 12 Ω to 100 Ω
- Operation to 86 MHz
- RoHS compliant

Power Matters.™

[Home](#) ▶ [Line Drivers](#) ▶ [PLC Line Drivers](#) ▶ [Le87502](#)

Products

▼ Line Drivers

▶ xDSL Line Drivers (Including
Legerity BD870)

▼ PLC Line Drivers

- [Le87401](#)
- [Le87402](#)
- [Le87411](#)
- [Le87501](#)
- [Le87502](#)

▶ [G.Fast](#)

Le87502

PLC Dual Channel Line Driver BD870 Series

[Overview](#)

[Docs & Specs](#)

[Applications](#)

[Packaging](#)

Typical Applications

- Power Line Communications (PLC)
- Home Networking
- HPNA
- G.NA

Power Matters.™

[Home](#) ▶ [Line Drivers](#) ▶ [PLC Line Drivers](#) ▶ [Le87502](#)

Products

▼ Line Drivers

▶ xDSL Line Drivers (Including Legerity BD870)

▼ PLC Line Drivers

- [Le87401](#)
- [Le87402](#)
- [Le87411](#)
- [Le87501](#)
- [Le87502](#)

▶ [G.Fast](#)

Le87502

PLC Dual Channel Line Driver BD870 Series

Overview

Docs & Specs

Applications

Packaging

Product Packaging & Availability

Part Number	Package Type	Pin Count	Lead-Free Option	Shipping Option(s)	Status
Le87502MQC	QFN	28	GREEN	Tray	Production
Le87502MQCT	QFN	28	GREEN	TR	Production

Packaging Information

- [Soldering Profiles](#)
- [Moisture Sensitivity](#)
- [Shelf Life](#)
- [Reliability Data](#)