

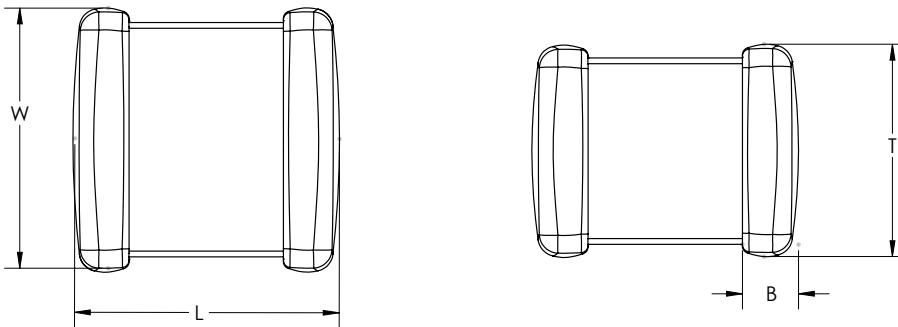
Ultra HiQ-CBR Squared Series, 0505 Case Size

High Power (1.0 – 10 pF)

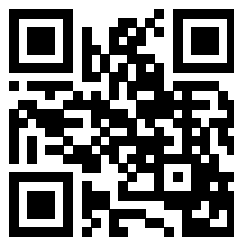
Sample Kit Contents

KEMET Part Number	Case Size	Capacitance	Capacitance Tolerance	Rated Voltage	Dielectric	Quantity
	EIA/Metric	pF	%	VDC		
CBR05C109BAGAC	0505/1414	1.0	±0.10	250	COG	50
CBR05C129BAGAC	0505/1414	1.2	±0.10	250	COG	50
CBR05C159BAGAC	0505/1414	1.5	±0.10	250	COG	50
CBR05C189BAGAC	0505/1414	1.8	±0.10	250	COG	50
CBR05C209BAGAC	0505/1414	2.0	±0.10	250	COG	50
CBR05C229BAGAC	0505/1414	2.2	±0.10	250	COG	50
CBR05C249BAGAC	0505/1414	2.4	±0.10	250	COG	50
CBR05C279BAGAC	0505/1414	2.7	±0.10	250	COG	50
CBR05C309BAGAC	0505/1414	3.0	±0.10	250	COG	50
CBR05C339BAGAC	0505/1414	3.3	±0.10	250	COG	50
CBR05C399BAGAC	0505/1414	3.9	±0.10	250	COG	50
CBR05C479BAGAC	0505/1414	4.7	±0.10	250	COG	50
CBR05C519CAGAC	0505/1414	5.1	±0.25	250	COG	50
CBR05C569CAGAC	0505/1414	5.6	±0.25	250	COG	50
CBR05C689CAGAC	0505/1414	6.8	±0.25	250	COG	50
CBR05C829CAGAC	0505/1414	8.2	±0.25	250	COG	50
CBR05C100JAGAC	0505/1414	10	±5	250	COG	50

Dimensions – Millimeters (Inches)



Case Size (in.)	Case Size (mm)	L Length	W Width	T Thickness	B Bandwidth	Mounting Technique
0505	1414	1.40 +0.38 / -0.25 (0.055 +0.015 / -0.01)	1.40 ± 0.38 (0.055 ± 0.015)	1.15 ± 0.15 (0.045 ± 0.006)	0.25 + 0.25 - 0.13 (0.010 + 0.010 - 0.005)	Solder Reflow Only



www.kemet.com/rf