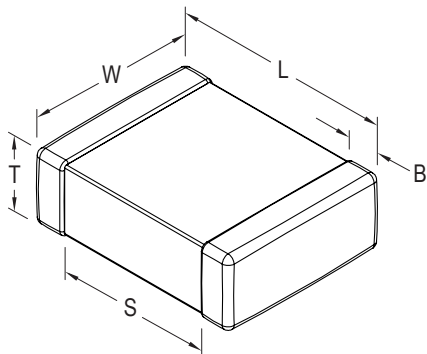


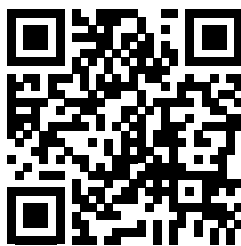
## Sample Kit Contents

KEMET Part Number	Case Size	Capacitance	Cap Tolerance	Rated Voltage	T Thickness	Dielectric	Termination	Quantity
	EIA/Metric		%	VDC	mm			
C0603W222KCRACTU	0603/1608	2,200 pF	±10	500	0.80 ± 0.10	X7R	Flexible	50
C0603W332KCRACTU	0603/1608	3,300 pF	±10	500	0.80 ± 0.10	X7R	Flexible	50
C0603W392KCRACTU	0603/1608	3,900 pF	±10	500	0.80 ± 0.10	X7R	Flexible	50
C0603W152KBRACTU	0603/1608	1,500 pF	±10	630	0.80 ± 0.10	X7R	Flexible	50
C0603W102KDRACTU	0603/1608	1,000 pF	±10	1,000	0.80 ± 0.10	X7R	Flexible	50
C0805W153KCRACTU	0805/2012	15,000 pF	±10	500	1.25 ± 0.15	X7R	Flexible	50
C0805W223KCRACTU	0805/2012	22,000 pF	±10	500	1.25 ± 0.15	X7R	Flexible	50
C0805W682KBRACTU	0805/2012	6,800 pF	±10	630	1.25 ± 0.15	X7R	Flexible	50
C0805W103KBRACTU	0805/2012	10,000 pF	±10	630	1.25 ± 0.15	X7R	Flexible	50
C0805W123KBRACTU	0805/2012	12,000 pF	±10	630	1.25 ± 0.15	X7R	Flexible	50
C0805W222KDRACTU	0805/2012	2,200 pF	±10	1,000	1.25 ± 0.15	X7R	Flexible	50
C0805W332KDRACTU	0805/2012	3,300 pF	±10	1,000	1.25 ± 0.15	X7R	Flexible	50
C0805W472KDRACTU	0805/2012	4,700 pF	±10	1,000	1.25 ± 0.15	X7R	Flexible	50
C1206W473KCRACTU	1206/3216	47,000 pF	±10	500	1.70 ± 0.20	X7R	Flexible	50
C1206W683KCRACTU	1206/3216	68,000 pF	±10	500	1.70 ± 0.20	X7R	Flexible	50
C1206W333KBRACTU	1206/3216	33,000 pF	±10	630	1.70 ± 0.20	X7R	Flexible	50
C1206W153KDRACTU	1206/3216	15,000 pF	±10	1,000	1.70 ± 0.20	X7R	Flexible	50
C1206W223KDRACTU	1206/3216	22,000 pF	±10	1,000	1.70 ± 0.20	X7R	Flexible	50
C1210W124KCRACTU	1210/3225	0.12 µF	±10	500	2.10 ± 0.20	X7R	Flexible	50
C1210W154KCRACTU	1210/3225	0.15 µF	±10	500	2.10 ± 0.20	X7R	Flexible	50
C1210W104KBRACTU	1210/3225	0.10 µF	±10	630	2.50 ± 0.30	X7R	Flexible	50
C1210W333KDRACTU	1210/3225	33,000 pF	±10	1,000	1.25 ± 0.20	X7R	Flexible	50
C1210W473KDRACTU	1210/3225	47,000 pF	±10	1,000	2.10 ± 0.20	X7R	Flexible	50
C1210W683KDRACTU	1210/3225	68,000 pF	±10	1,000	2.50 ± 0.30	X7R	Flexible	50
C1808W154KCRACTU	1808/4520	0.15 µF	±10	500	1.60 ± 0.15	X7R	Flexible	25
C1808W104KBRACTU	1808/4520	0.10 µF	±10	630	2.00 ± 0.15	X7R	Flexible	25
C1812W224KCRACTU	1812/4532	0.22 µF	±10	500	1.70 ± 0.15	X7R	Flexible	25
C1812W334KCRACTU	1812/4532	0.33 µF	±10	500	2.10 ± 0.20	X7R	Flexible	25
C1812W154KBRACTU	1812/4532	0.15 µF	±10	630	1.70 ± 0.20	X7R	Flexible	25
C1812W104KDRACTU	1812/4532	0.10 µF	±10	1,000	1.70 ± 0.15	X7R	Flexible	25
C1825W394KCRACTU	1825/4564	0.39 µF	±10	500	2.50 ± 0.20	X7R	Flexible	25
C1825W224KBRACTU	1825/4564	0.22 µF	±10	630	1.40 ± 0.15	X7R	Flexible	25
C1825W274KBRACTU	1825/4564	0.27 µF	±10	630	2.00 ± 0.20	X7R	Flexible	25
C2220W474KCRACTU	2220/5650	0.47 µF	±10	500	2.50 ± 0.20	X7R	Flexible	25
C2220W334KBRACTU	2220/5650	0.33 µF	±10	630	2.50 ± 0.20	X7R	Flexible	25
C2225W564KCRACTU	2225/5664	0.56 µF	±10	500	2.50 ± 0.20	X7R	Flexible	25
C2225W474KBRACTU	2225/5664	0.47 µF	±10	630	2.50 ± 0.20	X7R	Flexible	25

## Dimensions – Millimeters (Inches) – Flexible Termination



EIA Size Code	Metric Size Code	L Length	W Width	T Thickness	B Bandwidth	S Separation Minimum	Mounting Technique
0603	1608	1.60 (.064) ± 0.17 (.007)	0.80 (.032) ± 0.15 (.006)	See Table 2 for Thickness	0.45 (.018) ± 0.15 (.006)	0.58 (.023)	Solder Wave or Solder Reflow
0805	2012	2.00 (.079) ± 0.30 (.012)	1.25 (.049) ± 0.30 (.012)		0.50 (0.02) ± 0.25 (.010)	0.75 (.030)	
1206	3216	3.30 (.130) ± 0.40 (.016)	1.60 (.063) ± 0.35 (.013)		0.60 (.024) ± 0.25 (.010)	N/A	
1210	3225	3.30 (.130) ± 0.40 (.016)	2.60 (.102) ± 0.30 (.012)		0.60 (.024) ± 0.25 (.010)		
1808	4520	4.70 (.185) ± 0.50 (.020)	2.00 (.079) ± 0.20 (.008)		0.70 (.028) ± 0.35 (.014)		
1812	4532	4.50 (.178) ± 0.40 (.016)	3.20 (.126) ± 0.30 (.012)		0.70 (.028) ± 0.35 (.014)		
1825	4564	4.60 (.181) ± 0.40 (.016)	6.40 (.252) ± 0.40 (.016)		0.70 (.028) ± 0.35 (.014)		
2220	5650	5.90 (.232) ± 0.75 (.030)	5.00 (.197) ± 0.40 (.016)		0.70 (.028) ± 0.35 (.014)		
2225	5664	5.90 (.232) ± 0.75 (.030)	6.40 (.248) ± 0.40 (.016)		0.70 (.028) ± 0.35 (.014)		



[www.kemet.com/arcshield](http://www.kemet.com/arcshield)