

## Ethernet HART multiplexer - GW PL ETH/UNI-BUS - 2702233


Please be informed that the data shown in this PDF Document is generated from our Online Catalog. Please find the complete data in the user's documentation. Our General Terms of Use for Downloads are valid (<http://phoenixcontact.com/download>)



Modular gateway Ethernet head station with Modbus TCP, PROFINET, HART IP, FDT/DTM. Supports five expansion modules.



### Key Commercial Data

|                                      |   |
|--------------------------------------|---|
| Packing unit                         | 1 pc  |
| GTIN                                 | <br>4 055626 067049 |
| GTIN                                 | 4055626067049   |
| Weight per Piece (excluding packing) | 220.000 g   |
| Custom tariff number                 | 85176200  |
| Country of origin                    | Germany   |

### Technical data

#### Dimensions

|        |          |
|--------|----------|
| Width  | 22.5 mm  |
| Height | 99 mm    |
| Depth  | 114.5 mm |

#### Ambient conditions

|   |                   |
|---|-------------------|
| Ambient temperature (operation)         | -40 °C ... 70 °C  |
|   | -40 °F ... 158 °F |
| Ambient temperature (storage/transport) | -40 °C ... 85 °C  |
| Degree of protection                    | IP20              |

#### General

|  |          |
|--|----------|
| Test voltage data interface/power supply | 500 V AC |
|--|----------|

# Ethernet HART multiplexer - GW PL ETH/UNI-BUS - 2702233

## Technical data

### General

|                               |  |
|-------------------------------|--|
| Electromagnetic compatibility | Conformance with EMC Directive 2004/108/EC   |
| Mounting position             | any  |
| Assembly instructions         | on standard DIN rail NS 35 in accordance with EN 60715                                     |
| Net weight                    | 216.9 g  |
| Color                         | gray   |
| MTBF                          | 292 Years (Siemens model SN29500, temperature 40°C, env. factor 1.5 and stress factor 50%) |
| Conformance                   | CE-compliant   |

### Power supply

|                             |                       |
|-----------------------------|-----------------------|
| Supply voltage range        | 19.2 V DC ... 30 V DC |
| Max. current consumption    | 63 mA (at 24 V DC)    |
| Typical current consumption | 46 mA (at 24 V DC)    |

### Serial interface

|                        |   |
|------------------------|---|
| Interface 1            | Bus   |
| Transmission length    | ≤ 100 m   |
| Output nominal voltage | 24 V DC   |
| Maximum output current | 3.937 A (per station)                           |
| Interface 2            | Modbus/TCP, HART IP, PROFINET                   |
| Interface              | Ethernet 10/100Base T                           |
| Connection method      | RJ45 socket, auto negotiation and auto crossing |
| Protocols supported    | Modbus/TCP, HART IP, PROFINET                   |

### Function

|                      |     |
|----------------------|-----|
| Web-based management | yes |
|----------------------|-----|

### Standards and Regulations

|                               |  |
|-------------------------------|--|
| Electromagnetic compatibility | Conformance with EMC Directive 2004/108/EC   |
| Conformance                   | CE-compliant                                 |
| Noxious gas test              | ISA-S71.04-1985 G3 Harsh Group A             |
| ATEX                          | # II 3 G Ex nA IIC T4 Gc DEMKO 17 ATEX 1749X |
| IECEX                         | IECEX ULD 17.0020X Ex nA IIC T4 Gc           |
| UL, USA/Canada                | Class I, Div. 2, Groups A, B, C, D           |

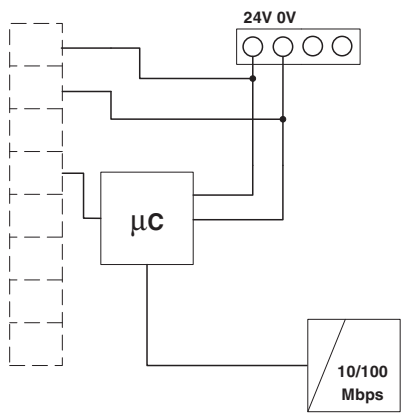
### Environmental Product Compliance

|            |   |
|------------|---|
| China RoHS | Environmentally Friendly Use Period = 50  |
|            | For details about hazardous substances go to tab "Downloads", Category "Manufacturer's declaration" |

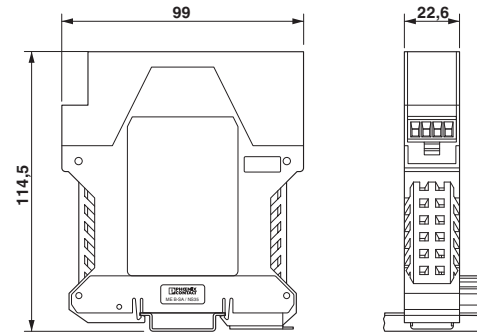
## Drawings

# Ethernet HART multiplexer - GW PL ETH/UNI-BUS - 2702233

Block diagram



Dimensional drawing



## Classifications

### eCl@ss

|            |          |
|------------|----------|
| eCl@ss 5.1 | 27242700 |
| eCl@ss 6.0 | 27242200 |
| eCl@ss 7.0 | 27242208 |
| eCl@ss 8.0 | 27242208 |
| eCl@ss 9.0 | 27242208 |

### ETIM

|          |          |
|----------|----------|
| ETIM 5.0 | EC001423 |
| ETIM 6.0 | EC001423 |

## Approvals

### Approvals

#### Approvals

UL Listed / cUL Listed / cULus Listed

#### Ex Approvals

UL Listed / cUL Listed / cULus Listed

### Approval details

# Ethernet HART multiplexer - GW PL ETH/UNI-BUS - 2702233

## Approvals

|           |  |   |               |
|-----------|--|---|---------------|
| UL Listed |  | <a href="http://database.ul.com/cgi-bin/XYVV/template/LISEXT/1FRAME/index.htm">http://database.ul.com/cgi-bin/XYVV/template/LISEXT/1FRAME/index.htm</a> | FILE E 238705 |
|-----------|--|---|---------------|

|            |  |   |               |
|------------|--|---|---------------|
| cUL Listed |  | <a href="http://database.ul.com/cgi-bin/XYVV/template/LISEXT/1FRAME/index.htm">http://database.ul.com/cgi-bin/XYVV/template/LISEXT/1FRAME/index.htm</a> | FILE E 238705 |
|------------|--|---|---------------|

|              |  |  |  |
|--------------|--|--|--|
| cULus Listed |  |  |  |
|--------------|--|--|--|

## Accessories

### Accessories

#### I/O component

Protocol converter - GW PL HART4-BUS - 2702234



Four-channel HART<sup>®</sup> expansion module, with screw connection

Protocol converter - GW PL HART8-BUS - 2702235



Eight-channel HART<sup>®</sup> expansion module, with screw connection

Protocol converter - GW PL HART8+AI-BUS - 2702236



Eight-channel HART<sup>®</sup> expansion module with analog loop supply and screw connection

## Ethernet HART multiplexer - GW PL ETH/UNI-BUS - 2702233

### Accessories

Protocol converter - GW PL DIO4-BUS - 2702237



Four-channel digital input and four-channel digital output module with screw connection

---

Protocol converter - GW PL HART4-R-BUS - 2702879



Four-channel HART<sup>®</sup> expansion module, with screw connection, with 250  $\Omega$  internal input resistors

---

Protocol converter - GW PL HART8-R-BUS - 2702880



Eight-channel HART<sup>®</sup> expansion module, with screw connection, with 250  $\Omega$  internal input resistors

---