



Price Index



Series E06/Z06

Special Features / Options



IPA Qualification Certificate
Air Cleanliness Class ISO Class 2
(at v = 3.28 ft/s) upon request



Flammability Class
VDE 0304 IIC UL94 V2



Special equipment: Electrically
conductive ESD/ATEX version
upon request

Assembly Tips



Just push the cables into the e-chain
using your thumb



Special solution -
opening gap 0.14 (3.5 mm)
Part No. E06-10-018S3

Usage Guidelines



- If filling is required without opening and closing
- If price is an issue
- If quiet operation is required



- "Z" Series is unsuitable for gliding applications
 - Series 07 Zipper
- If non-opening is required
 - Series 06 E2 Micro

Features & Benefits

- 1 Small pitch for low-noise and smooth operation
- 2 Cable friendly - smooth interior
- 3 Very lightweight
- 4 Patented push button design holds the links together
- 5 Very easy to fill
- 6 Integrated strain relief option
- 7 "E" Series features split crossbar along the outer radius
- 8 "Z" Series features split crossbar along the inner radius
- 9 Limited torsion tolerance



Order Example: Complete e-chain®

Please indicate chain length or number of links. Example:

3.28 ft (1 m) E06-10-038-0

e-chain®

1 Set 060-10-12

Mounting Bracket

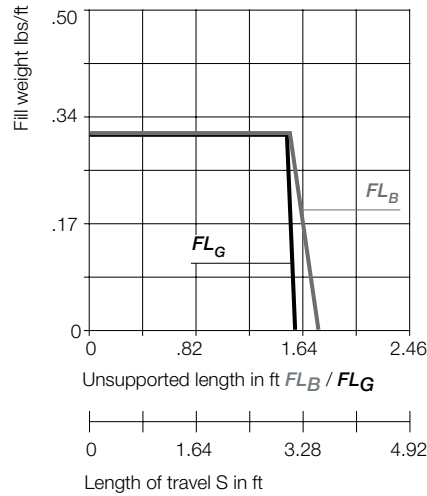
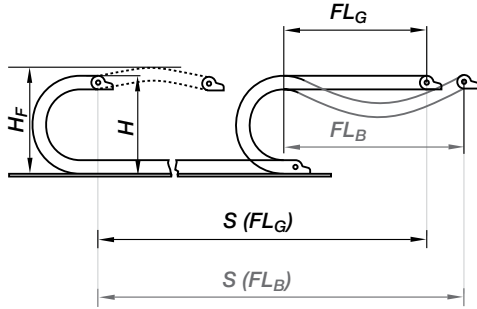
e-chain system® E-Z chain Series E06/Z06 Installation Dimensions



E06
Z06

Short travel, unsupported length

- FL_B = unsupported with permitted sag
 - FL_G = unsupported with straight upper run
- Further information ► Design, Chapter 1



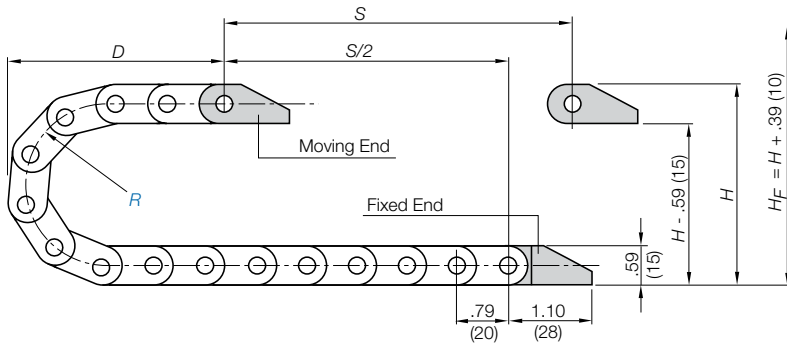
Short Travels - Unsupported



Unsupported E-Chains® feature positive camber over short travels. This must be accounted for when specifying the clearance height. Please refer to **Installation dimensions** for further details.

Legend

- S = Length of travel
- R = Bending radius
- H = Nominal clearance height
- D = Overlength e-chain® radius in final position
- $K = \pi \cdot R + \text{safety buffer}$
- H_F = Required clearance height



Pitch per link = .79" (20 mm)
Links per ft (m) = 15.24 (50)
For center mount applications:
Chain length = $S/2 + K$

The required clearance height: $H_F = H + .39$ in. (10 mm) (with .13 lbs/ft (0.2 kg/m) fill weight). Please consult igus® if space is particularly restricted.

R	.71 (018)	1.10 (028)	1.50 (038)
H*	2.01 (51)	2.80 (71)	3.58 (91)
D	2.20 (56)	2.60 (66)	2.99 (76)
K	3.94 (100)	5.12 (130)	6.30 (160)



PDF: igus.com/e-chain-pdfs
Product information: igus.com/e-chains



Speed / acceleration FL_G	max. 65.6 ft/s (20 m/s) / max. 656 ft/s ² (200 m/s ²)
Speed / acceleration FL_B	max. 9.84 ft/s (3 m/s) / max. 19.69 ft/s ² (6 m/s ²)
Material (e-chain®) - permitted temperature	igumid NB / -40°F (-40°C) up to +176°F (+80°C)
Material (mounting brackets)* - permitted temperature	igumid G / -40°F (-40°C) up to +248°F (+120°C)
Flammability Class (e-chain®), igumid NB	VDE 0304 IIC UL94 V2
Flammability Class (mounting brackets), igumid G	VDE 0304 IIC UL94 HB

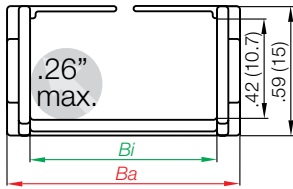
Technical Data



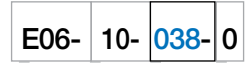
Details of material properties

► Chapter 1

Series E06 - Split crossbar along the outer radius

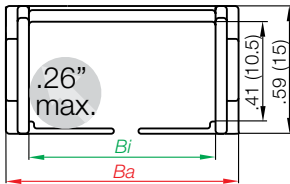


Part Number Structure



Color - Black
Bending radius
Width
Series

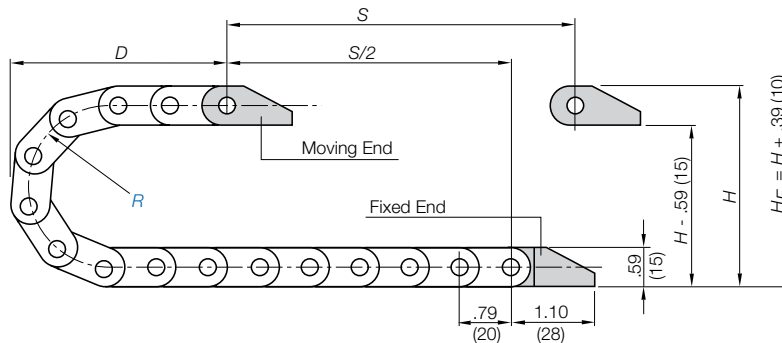
Series Z06 - Split crossbar along the inner radius



Part Number Structure



Color - Black
Bending radius
Width
Series



Supplement part number with required radius. Example: E06-10-038-0
Pitch: .79 in. (20 mm) per link links/ft (m) = 15.24 (50)

Part Number			Bi	Ba	Weight	Crossbar Gap
Split Crossbar Outer Radius	Split Crossbar Inner Radius		in. (mm)	in. (mm)	lbs/ft (kg/m)	in. (mm)
E06-10	Z06-10*	<input type="text" value="0"/>	.39 (10)	.65 (16.5)	≈ 0.09 (0.14)	.22 (5.5)
E06-16-	Z06-16*	<input type="text" value="0"/>	.63 (16)	.86 (22.5)	≈ 0.11 (0.16)	.22 (5.5)
E06-20-	Z06-20	<input type="text" value="0"/>	.79 (20)	1.04 (26.5)	≈ 0.12 (0.18)	-

Choose from the radii below for all of the above sizes
Radius (mm) Example: E06-10-038-0

	018	028	038
R	.71 (018)	1.10 (028)	1.50 (038)
H*	2.01 (51)	2.80 (71)	3.58 (91)
D	2.20 (56)	2.60 (66)	2.99 (76)
K	3.94 (100)	5.12 (130)	6.30 (160)

0=Standard color black. For other colors see Chapter 1
*Please note: For this series the crossbars do not overlap. Please see table for gap amount.

e-chain system® E-Z chain Series E06/Z06 Mounting Brackets

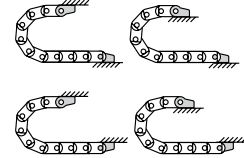
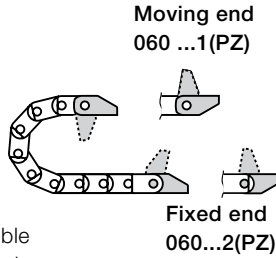


E06
Z06



Polymer, one-piece

- One-piece mounting bracket
- Corrosion resistant
- Available preassembled
- Inner and outer attachment possible
- Available with or without integrated strain relief tiwrap plates



Possible installation configurations -

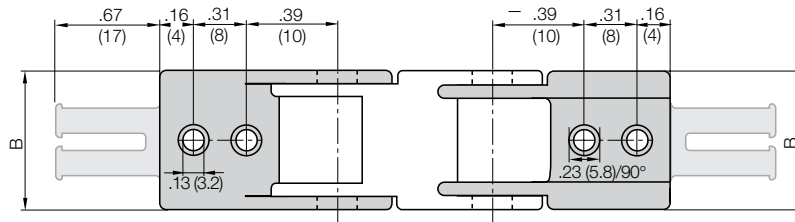
Dimensions and order configurations

Strain relief is possible on the moving end and/or the fixed end.

Part Number Structure

060-	20-	12	PZ
------	-----	----	----

- With assembled strain relief tiwrap plates
- Complete Set
- Width
- Mounting brackets for selected chain type



Full set, for both ends:

060- 20- 12 PZ Full set, each part with pin/bore

Single-part order:

060- 20- 1 PZ Mounting bracket with bore

060- 20- 2 PZ Mounting bracket with pin

Chain Type	Part No. Full set with Tiewrap Plate	Part No. Full Set without Tiewrap Plate	Dimensions B		Number of Teeth
			in.	(mm)	
E06/Z06-10	060-10-12PZ	060-10-12	.65	(16.5)	1
E06/Z06-16	060-16-12PZ	060-16-12	.89	(22.5)	2
E06/Z06-20	060-20-12PZ	060-20-12	1.06	(27.0)	2

Additional Accessories



Quicksnap - the complete, detachable mounting unit, upon request

Part No.

060-10-QS

060-16-QS

060-20-QS



Quickfix - mounting bracket with dowel, upon request

Part No. 060-20-34QZ

PDF: igus.com/e-chain-pdfs
Product information: igus.com/e-chains

