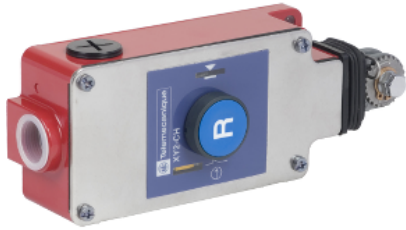


# Product data sheet

Specifications



## Latching emergency stop rope pull switch, Telemecanique rope pull switches XY2C, e XY2CH, 1NC+1 NO, Flush pushbutton

XY2CH13150

**Product availability : Stock - Normally stocked in distribution facility**

**Price\* : 279.00 USD**

### Main

Range of Product	Telemecanique Emergency stop rope pull switches XY2C
Product or Component Type	Latching emergency stop rope pull switch
Device short name	XY2CH
Housing colour	Red RAL 3000
Overvoltage category	Class I EN/IEC 61140 Class I NF C 20-030

### Complementary

Local signalling	Without pilot light
Number of cables	1
Trigger cable maximum length	98.43 ft (30 m)
Body Material	Zamak
Cover Material	Stainless steel
Reset	By flush push-button
Contacts type and composition	1 NC + 1 NO
Contact operation	Slow-break
Trigger cable anchor point	RH or LH side
Connections - terminals	Screw clamp terminal, 1 x 0.5...2 x 1.5 mm <sup>2</sup>
Tightening torque	7.08...10.62 lbf.in (0.8...1.2 N.m)
Cable entry number	3 tapped entry Pg 13.5 cable gland
Safety level	Can reach PL = e with the appropriate monitoring system and correctly wired EN/ISO 13849-1 Can reach category 4 with the appropriate monitoring system and correctly wired EN/ISO 13849-1 Can reach SIL 3 with the appropriate monitoring system and correctly wired EN/IEC 61508
Safety reliability data	B10d = 4000000 value given for a life time of 20 years limited by mechanical or contact wear IEC 60947-5-5
Marking	CE
Mechanical durability	800000 cycles
Distance between cable supports	16.40 ft (5 m)
[Ie] rated operational current	3 A 240 V, AC-15, A300 EN/IEC 60947-5-1 appendix A

\* Price is "List Price" and may be subject to a trade discount – check with your local distributor or retailer for actual price.

<b>[I<sub>th</sub>] conventional enclosed thermal current</b>	10 A
<b>[U<sub>i</sub>] rated insulation voltage</b>	500 V 3)EN/IEC 60947-1 300 VUL 508
<b>[U<sub>imp</sub>] rated impulse withstand voltage</b>	6 kV EN/IEC 60947-1
<b>Positive opening</b>	With EN/IEC 60947-5-1
<b>Maximum resistance across terminals</b>	25 MOhm EN/IEC 60255-7 category 3 25 MOhm NF C 93-050 method A
<b>Short-circuit protection</b>	10 A cartridge fuse gG EN/IEC 60269
<b>Terminals description ISO n°1</b>	(13-14)NO (21-22)NC
<b>Net Weight</b>	1.91 lb(US) (0.865 kg)
<b>Compatibility code</b>	XY2CH

## Environment

<b>Standards</b>	EN/IEC 60947-5-5 Work equipment directive 2009/104/EC EN/ISO 13850 EN/IEC 60204-1 EN/IEC 60947-5-1 Machinery directive 2006/42/EC
<b>Product certifications</b>	UL category NISD emergency stop devices CCC
<b>Protective treatment</b>	TC
<b>Ambient Air Temperature for Operation</b>	-13...158 °F (-25...70 °C)
<b>Ambient Air Temperature for Storage</b>	-40...158 °F (-40...70 °C)
<b>Vibration resistance</b>	10 gn 10...150 Hz)EN/IEC 60068-2-6
<b>Shock resistance</b>	50 gn 11 ms EN/IEC 60068-2-27
<b>IP degree of protection</b>	IP65 IEC 60529

## Ordering and shipping details

<b>Category</b>	22441-LIMIT SWITCHES,CABLE PULL
<b>Discount Schedule</b>	T
<b>GTIN</b>	3389119085540
<b>Returnability</b>	Yes
<b>Country of origin</b>	MA

## Packing Units

<b>Unit Type of Package 1</b>	PCE
<b>Number of Units in Package 1</b>	1
<b>Package 1 Height</b>	3.62 in (9.2 cm)
<b>Package 1 Width</b>	3.23 in (8.2 cm)
<b>Package 1 Length</b>	7.68 in (19.5 cm)
<b>Package 1 Weight</b>	35.27 oz (999.9 g)
<b>Unit Type of Package 2</b>	S03
<b>Number of Units in Package 2</b>	10
<b>Package 2 Height</b>	11.81 in (30.0 cm)

<b>Package 2 Width</b>	11.81 in (30.0 cm)
<b>Package 2 Length</b>	15.75 in (40.0 cm)
<b>Package 2 Weight</b>	23.29 lb(US) (10.562 kg)

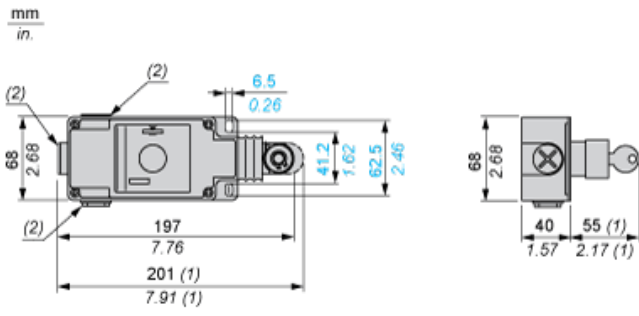
## Offer Sustainability

<b>Sustainable offer status</b>	Green Premium product
<b>California proposition 65</b>	WARNING: This product can expose you to chemicals including: Diisononyl phthalate (DINP), which is known to the State of California to cause cancer, and Di-isodecyl phthalate (DIDP), which is known to the State of California to cause birth defects or other reproductive harm. For more information go to <a href="http://www.P65Warnings.ca.gov">www.P65Warnings.ca.gov</a>
<b>REACH Regulation</b>	<a href="#">REACH Declaration</a>
<b>EU RoHS Directive</b>	Pro-active compliance (Product out of EU RoHS legal scope) <a href="#">EU RoHS Declaration</a>
<b>Mercury free</b>	Yes
<b>RoHS exemption information</b>	<a href="#">Yes</a>
<b>Environmental Disclosure</b>	<a href="#">Product Environmental Profile</a>

## Contractual warranty

<b>Warranty</b>	18 months
-----------------	-----------

Dimensions

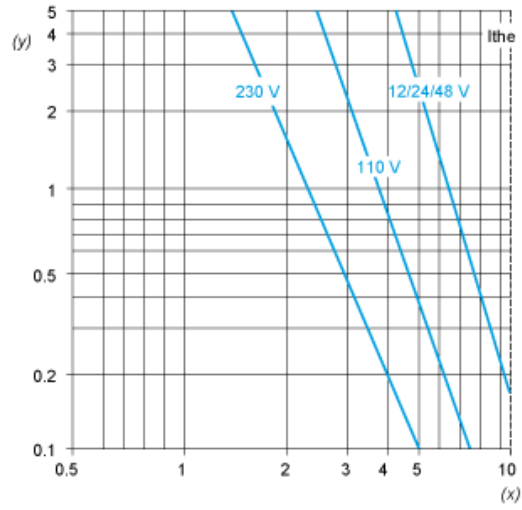


- (1) Maximum extension.
- (2) Tapped entry for n° 13 (Pg 13.5) cable entry

**Electrical Curves**

**AC Supply 50/60 Hz Inductive Circuit**

2-pole Contact Block



Y Millions of operating cycles  
X Current in A

**DC Supply Power Broken in for 1 Million Operating Cycles Inductive Circuit**

Voltage	V	24	48	120
$i_{mm}$	W	13	9	7

**Recommended replacement(s)**