

Step-Up Synchronous PFM DC/DC Converter

☆ Green Operation Compatible

■ GENERAL DESCRIPTION

The XC9140 series are step-up synchronous DC/DC converters that support ceramic capacitors and have an internal 0.6Ω Nch driver transistor and an internal 0.65Ω Pch synchronous rectifier switch transistor. PFM control enables a low quiescent current, making these products ideal for portable devices that require high efficiency.

When the output voltage is 3.3V and the load current is 1mA, startup from an input voltage of $V_{IN} = 0.9V$ is possible which means that these products can be used in applications that start using a single alkaline or nickel-metal hydride battery.

A version with a UVLO (Under Voltage Lock-out) function is also available. This function enables the prevention of battery leakage by stopping IC's operation when the input voltage is low. The standard product has a UVLO release voltage of 1.65V, 2.15V and a custom version with a release voltage selectable from between 1.65V to 2.2V, in steps of 0.05V, is also available.

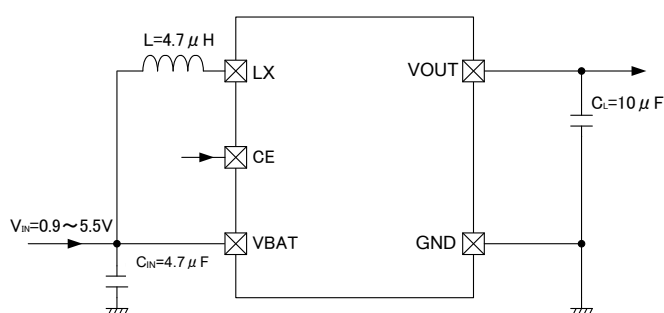
■ APPLICATIONS

- Mouses, Keyboards
- Bluetooth
- Household use Medical equipments
- Remote controls
- Game consoles
- Devices with 1~3 Alkaline, 1~3 Nickel Hydride, 1 Lithium and 1 Li-ion

■ FEATURES

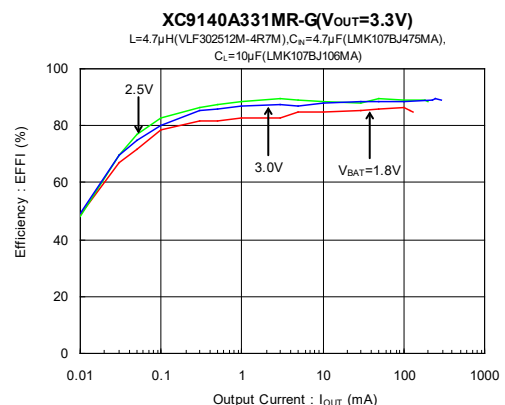
Input Voltage Range	:	operating hold voltage	0.7V ~ 5.5V
		Start-up voltage	0.9V ~ 5.5V
Output Voltage Setting	:	Without UVLO	1.8V ~ 5.0V ($\pm 2.0\%$)
		With UVLO	3.0V ~ 5.0V ($\pm 2.0\%$)
Output Current	:	80mA@ $V_{OUT}=3.3V$, $V_{BAT}=1.8V$	
Driver Transistor	:	0.6 Ω Nch driver transistor	
		0.65 Ω Pch synchronous rectifier switch transistor	
Supply Current	:	6.3 μ A ($V_{BAT}=V_{OUT}+0.5V$)	
Control Method	:	PFM Control	
High speed transient response	:	50mV@ $V_{OUT}=3.3V$, $V_{BAT}=1.8V$, $I_{OUT}=1 \rightarrow 50mA$	
PFM Switching Current	:	350mA	
Functions	:	Load Disconnection (A,B Type)	
		Bypass Mode (C Type)	
		C_L discharge (B Type), UVLO	
Output Capacitor	:	Ceramic Capacitor	
Operating Ambient Temperature	:	-40 $^{\circ}$ C ~ 85 $^{\circ}$ C	
Packages	:	SOT-25, USP-6EL	
Environmentally Friendly	:	EU RoHS Compliant, Pb Free	

■ TYPICAL APPLICATION CIRCUIT



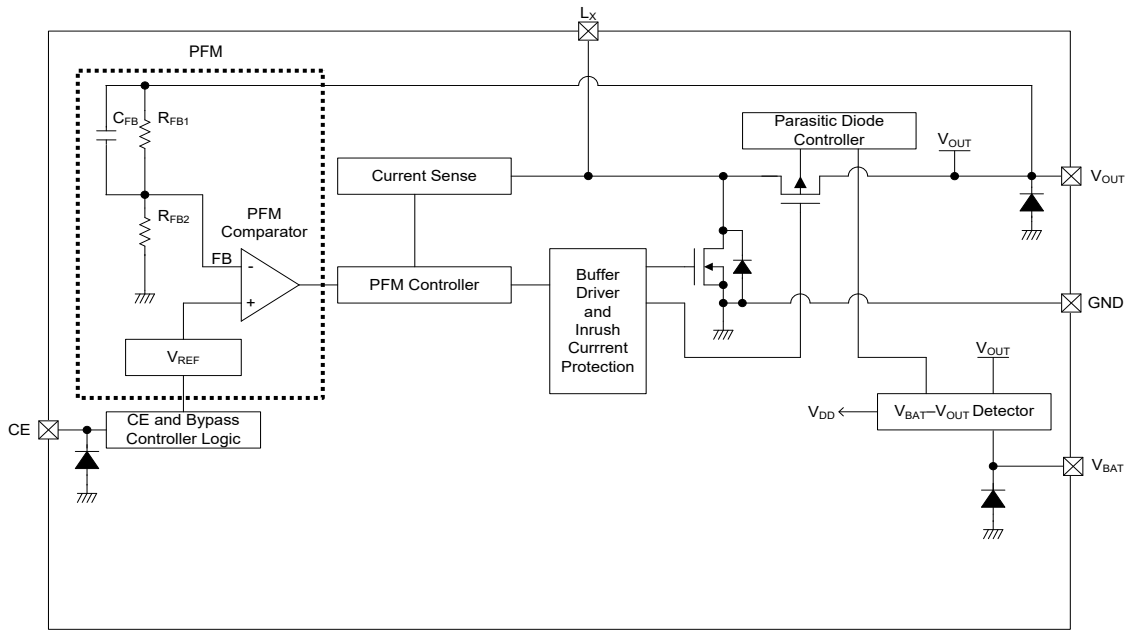
■ TYPICAL PERFORMANCE CHARACTERISTICS

● Efficiency vs. Output Current



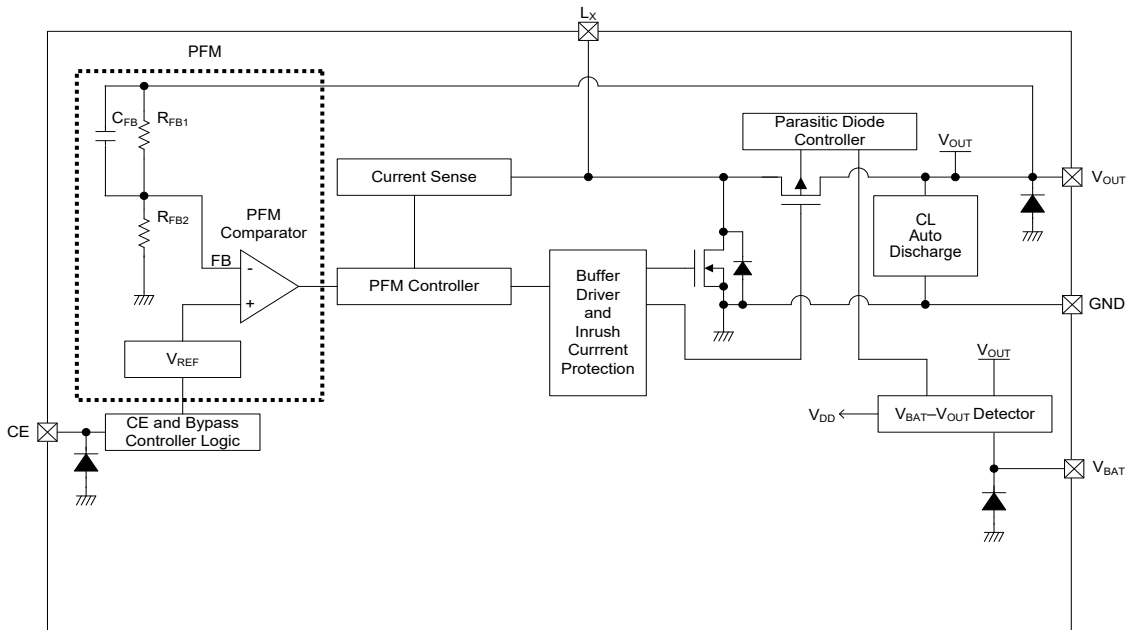
■ BLOCK DIAGRAM

XC9140Axx1/XC9140Cxx1 Type



* Diodes inside the circuit are an ESD protection diodes and a parasitic diodes.

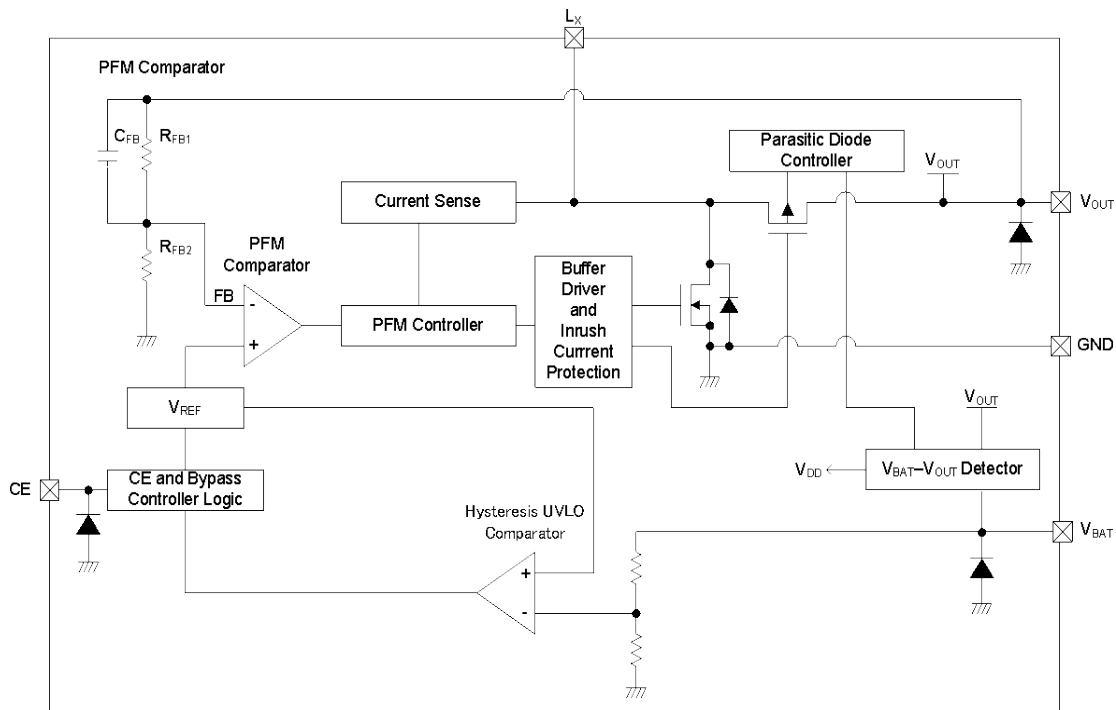
XC9140Bxx1 Type



* Diodes inside the circuit are an ESD protection diodes and a parasitic diodes.

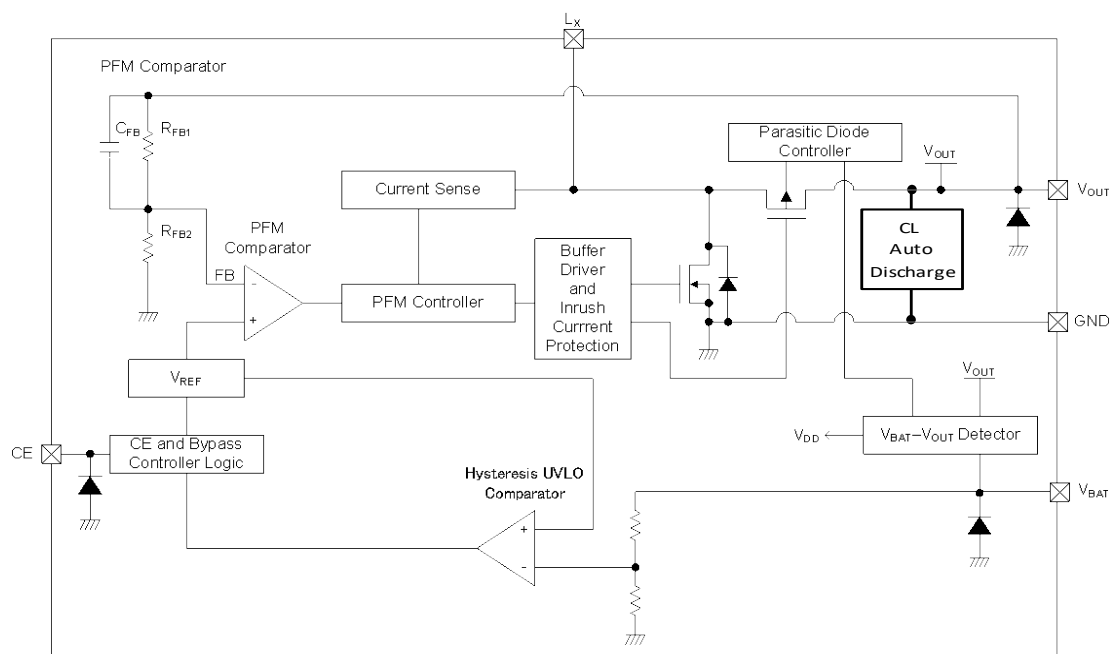
■ BLOCK DIAGRAM

XC9140Axxx/XC9140Cxxx Type (Types other than XC9140Axx1/XC9140Cxx1)



* Diodes inside the circuit are an ESD protection diodes and a parasitic diodes.

XC9140Bxxx Type (Types other than XC9140Bxx1)



* Diodes inside the circuit are an ESD protection diodes and a parasitic diodes.

PRODUCT CLASSIFICATION

Ordering Information

XC9140①②③④⑤⑥-⑦ (Without UVLO)

DESIGNATOR	ITEM	SYMBOL	DESCRIPTION
①	Product Type	A	Load Disconnection Without C _L Auto Discharge
		B	Load Disconnection With C _L Auto Discharge
		C	V _{BAT} Bypass Without C _L Auto Discharge
②③	Output Voltage	18 ~ 50	Output Voltage 1.8V ~ 5.0V (Increments : 0.1V) e.g. V _{OUT} =1.8V⇒②=1, ③=8
④ (*1)	UVLO Function	1	No UVLO
⑤⑥-⑦ (*2)	Packages (Order Unit)	4R-G	USP-6EL (3,000pcs/Reel)
		MR-G	SOT-25 (3,000pcs/Reel)

(*2) The "-G" suffix denotes Halogen and Antimony free as well as being fully EU RoHS compliant.

XC9140①②③④⑤⑥-⑦ (With UVLO)

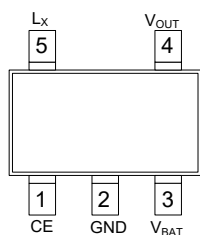
DESIGNATOR	ITEM	SYMBOL	DESCRIPTION
①	Product Type	A	Load Disconnection Without C _L Auto Discharge
		B	Load Disconnection With C _L Auto Discharge
		C	V _{BAT} Bypass Without C _L Auto Discharge
②③	Output Voltage	30 ~ 50	Output Voltage 3.0V ~ 5.0V (Increments : 0.1V) e.g. V _{OUT} =3.0V⇒②=3, ③=0
④ (*1)	UVLO Function	2	UVLO Function V _{UVLO_R} =2.15V
		6	UVLO Function V _{UVLO_R} =1.65V
⑤⑥-⑦ (*2)	Packages (Order Unit)	4R-G	USP-6EL (3,000pcs/Reel)
		MR-G	SOT-25 (3,000pcs/Reel)

(*1) Please contact our sales representatives for UVLO release voltage other than those listed above.

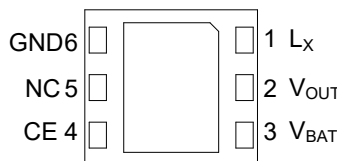
It can be set from 1.65V to 2.2V in 0.05V increments.

(*2) The "-G" suffix denotes Halogen and Antimony free as well as being fully EU RoHS compliant.

■ PIN CONFIGURATION



SOT-25
(TOP VIEW)



USP-6EL
(BOTTOM VIEW)

* The dissipation pad for the USP-6EL package should be solder-plated in recommended mount pattern and metal masking so as to enhance mounting strength and heat release.
The mount pattern should be connected to GND pin (No.6).

■ PIN ASSIGNMENT

PIN NUMBER		PIN NAME	FUNCTIONS
USP-6EL	SOT-25		
1	5	L _X	Switching
2	4	V _{OUT}	Output Voltage
3	3	V _{BAT}	Power Input
4	1	CE	Chip Enable
5	-	NC	No Connection
6	2	GND	Ground

■ PIN FUNCTION ASSIGNMEN

PIN NAME	SIGNAL	STATUS
CE	H	Active (All Series)
	L	Stand-by (XC9140A/B Type) Bypass Mode (XC9140C Type)

* Please do not leave the CE pin open.

■ ABSOLUTE MAXIMUM RATINGS

PARAMETER	SYMBOL	RATINGS	UNITS
BAT Pin Voltage	V _{BAT}	-0.3 ~ 7.0	V
L _X Pin Voltage	V _{LX}	-0.3 ~ V _{OUT} + 0.3 or 7.0 ^(*)	V
V _{OUT} Pin Voltage	V _{OUT}	-0.3 ~ 7.0	V
CE Pin Voltage	V _{CE}	-0.3 ~ 7.0	V
L _X Pin Current	I _{LX}	700	mA
Power Dissipation (T _a =25°C)	SOT-25	250	mW
		600 (40mm x 40mm Standard board) ^(**)	
	USP-6EL	760 (JESD51-7 board) ^(**)	
		1000 (40mm x 40mm Standard board) ^(**)	
Operating Ambient Temperature	T _{opr}	-40 ~ 85	°C
Storage Temperature	T _{stg}	-55 ~ 125	°C

* All voltages are described based on the GND.

^(*) The maximum value should be either V_{OUT}+0.3V or 7.0V or in the lowest.

^(**) This power dissipation figure shown is PCB mounted and is for reference only.

Please refer to PACKAGING INFORMATION for the mounting condition.

ELECTRICAL CHARACTERISTICS (Continued)

XC9140Axx1, XC9140Bxx1 Type

Ta=25°C

PARAMETER	SYMBOL	CONDITIONS	MIN.	TYP.	MAX.	UNITS	CIRCUIT
Input Voltage	V _{BAT}	-	-	-	5.5	V	
Output Voltage	V _{OUT(E)} ⁽²⁾	V _{PULL} =1.5V, Voltage to start oscillation while V _{OUT} is decreasing	E1			V	①
Operation Start Voltage	V _{ST1}	I _{OUT} =1mA	-	-	0.9	V	②
Operation Hold Voltage	V _{HLD}	R _L =1kΩ	-	0.7	-	V	②
Supply Current	I _q	Oscillation stops, V _{OUT} =V _{OUT(T)} +0.5V ⁽¹⁾	E2			μA	③
Input Pin Current	I _{BAT}	V _{OUT} =V _{OUT(T)} +0.5V ⁽¹⁾	-	0.25	1.0	μA	③
Stand-by Current	I _{STB}	V _{BAT} =V _{LX} =V _{OUT(T)} ⁽¹⁾ , V _{OUT} =V _{CE} =0V	-	0.1	1.0	μA	④
L _X Leak Current	I _{LXL}	V _{BAT} =V _{LX} =V _{OUT(T)} ⁽¹⁾ , V _{OUT} =V _{CE} =0V	-	0.1	1.0	μA	⑤
PFM Switching Current	I _{PFM}	I _{OUT} =3mA	295	350	405	mA	②
Maximum ON Time	t _{ONMAX}	V _{PULL} =1.5V, V _{OUT} =V _{OUT(T)} ×0.98 ⁽¹⁾	3.1	4.6	6.0	μs	①
Efficiency ⁽³⁾	EFFI	V _{BAT} =V _{CE} =1.8V, V _{OUT(T)} ⁽¹⁾ =2.5V, I _{OUT} =30mA	-	81	-	%	②
Efficiency ⁽³⁾	EFFI	V _{BAT} =V _{CE} =1.8V, V _{OUT(T)} ⁽¹⁾ =3.3V, I _{OUT} =30mA	-	85	-	%	②
Efficiency ⁽³⁾	EFFI	V _{BAT} =V _{CE} =1.8V, V _{OUT(T)} ⁽¹⁾ =5.0V, I _{OUT} =30mA	-	86	-	%	②
LX SW "Pch" ON Resistance ⁽⁴⁾	R _{LXP}	V _{BAT} =V _{LX} =V _{CE} =V _{OUT(T)} +0.5V ⁽¹⁾ , I _{OUT} =200mA	E3			Ω	⑦
LX SW "Nch" ON Resistance ⁽⁵⁾	R _{LXN}	V _{BAT} =V _{CE} =3.3V, V _{OUT} =1.7V	-	0.6	-	Ω	⑧
CE "H" Voltage	V _{CEH}	V _{BAT} =V _{PULL} =1.5V, V _{OUT} =V _{OUT(T)} ×0.98 ⁽¹⁾ While V _{CE} =0.3→0.75V, Voltage to start oscillation	0.75	-	5.5	V	①
CE "L" Voltage	V _{CEL}	V _{BAT} =V _{PULL} =1.5V, V _{OUT} =V _{OUT(T)} ×0.98 ⁽¹⁾ While V _{CE} =0.75→0.3V, Voltage to stop oscillation	GND	-	0.3	V	①
CE "H" Current	I _{CEH}	V _{BAT} =V _{CE} =V _{LX} =V _{OUT} =5.5V	-0.1	-	0.1	μA	①
CE "L" Current	I _{CEL}	V _{BAT} =V _{LX} =V _{OUT} =5.5V, V _{CE} =0V	-0.1	-	0.1	μA	①
CL Discharge Resistance (B Type)	R _{DCHG}	V _{BAT} =V _{OUT} =2.0V, V _{CE} =0V	165	210	254	Ω	③

Unless otherwise stated, V_{BAT}=V_{CE}=1.5V

⁽¹⁾V_{OUT(T)}=Nominal Output Voltage

⁽²⁾V_{OUT(E)}=Effective Output Voltage

The actual output voltage value V_{OUT(E)} is the PFM comparator threshold voltage in the IC.

Therefore, the DC/DC circuit output voltage, including the peripheral components, is boosted by the ripple voltage average value.

Please refer to the characteristic example.

⁽³⁾EFFI={[(Output Voltage)×(Output Current)] / [(Input Voltage)×(Input Current)]}×100

⁽⁴⁾LX SW "Pch" ON resistance=(V_{LX}-V_{OUT} pin measurement voltage) / 200mA

⁽⁵⁾The LX SW "Nch" ON resistance measurement method is shown in the measurement circuit diagram.

■ ELECTRICAL CHARACTERISTICS (Continued)

XC9140Cx1 Type

Ta=25°C

PARAMETER	SYMBOL	CONDITIONS	MIN.	TYP.	MAX.	UNITS	CIRCUIT
Input Voltage	V _{BAT}		-	-	5.5	V	-
Output Voltage	V _{OUT(E)} ⁽²⁾	V _{PULL} =1.5V, Voltage to start oscillation while V _{OUT} is decreasing	E1			V	①
Operation Start Voltage	V _{ST1}	I _{OUT} =1mA	-	-	0.9	V	②
Operation Hold Voltage	V _{HLD}	R _L =1kΩ	-	0.7	-	V	②
Supply Current	I _q	Oscillation stops, V _{OUT} =V _{OUT(T)} +0.5V ⁽¹⁾	E2			μA	③
Input Pin Current	I _{BAT}	V _{OUT} =V _{OUT(T)} +0.5V ⁽¹⁾	-	0.25	1.0	μA	③
Bypass Mode Current	I _{BYP}	V _{BAT} =V _{LX} =5.5V, V _{CE} =0V	-	3.5	6.1	μA	⑥
PFM Switching Current	I _{PFM}	I _{OUT} =3mA	295	350	405	mA	②
Maximum ON Time	t _{ONMAX}	V _{PULL} =1.5V, V _{OUT} =V _{OUT(T)} ×0.98 ⁽¹⁾	3.1	4.6	6.0	μs	①
Efficiency ⁽³⁾	EFFI	V _{BAT} =V _{CE} =1.8V, V _{OUT(T)} ⁽¹⁾ =2.5V, I _{OUT} =30mA	-	81	-	%	②
Efficiency ⁽³⁾	EFFI	V _{BAT} =V _{CE} =1.8V, V _{OUT(T)} ⁽¹⁾ =3.3V, I _{OUT} =30mA	-	85	-	%	②
Efficiency ⁽³⁾	EFFI	V _{BAT} =V _{CE} =1.8V, V _{OUT(T)} ⁽¹⁾ =5.0V, I _{OUT} =30mA	-	86	-	%	②
LX SW "Pch" ON Resistance ⁽⁴⁾	R _{LXP}	V _{BAT} =V _{LX} =V _{CE} =V _{OUT(T)} +0.5V ⁽¹⁾ , I _{OUT} =200mA	E3			Ω	⑦
LX SW "Nch" ON Resistance ⁽⁵⁾	R _{LXN}	V _{BAT} =V _{CE} =3.3V, V _{OUT} =1.7V	-	0.6	-	Ω	⑧
CE "H" Voltage	V _{CEH}	V _{BAT} =V _{PULL} =1.5V, V _{OUT} =V _{OUT(T)} ×0.98 ⁽¹⁾ While V _{CE} =0.3→0.75, Voltage to start oscillation	0.75	-	5.5	V	①
CE "L" Voltage	V _{CEL}	V _{BAT} =V _{PULL} =1.5V, V _{OUT} =V _{OUT(T)} ×0.98 ⁽¹⁾ While V _{CE} =0.75→0.3V, Voltage to stop oscillation	GND	-	0.3	V	①
CE "H" Current	I _{CEH}	V _{BAT} =V _{CE} =V _{LX} =V _{OUT} =5.5V	-0.1	-	0.1	μA	①
CE "L" Current	I _{CEL}	V _{BAT} =V _{LX} =V _{OUT} =5.5V, V _{CE} =0V	-0.1	-	0.1	μA	①

Unless otherwise stated, V_{BAT}=V_{CE}=1.5V

⁽¹⁾V_{OUT(T)}=Nominal Output Voltage

⁽²⁾V_{OUT(E)}=Effective Output Voltage

The actual output voltage value V_{OUT(E)} is the PFM comparator threshold voltage in the IC.

Therefore, the DC/DC circuit output voltage, including the peripheral components, is boosted by the ripple voltage average value.

Please refer to the characteristic example.

⁽³⁾ EFFI={[(Output Voltage)×(Output Current)] / [(Input Voltage)×(Input Current)]}×100

⁽⁴⁾ LX SW "Pch" ON resistance=(V_{LX}-V_{OUT} pin measurement voltage) / 200mA

⁽⁵⁾ The LX SW "Nch" ON resistance measurement method is shown in the measurement circuit diagram.

ELECTRICAL CHARACTERISTICS (Continued)

XC9140Axxx types (types other than XC9140Axx1), XC9140Bxxx types (types other than XC9140Bxx1)

Ta=25°C

PARAMETER	SYMBOL	CONDITIONS	MIN.	TYP.	MAX.	UNITS	CIRCUIT
Input Voltage	V _{BAT}	-	-	-	5.5	V	
Output Voltage	V _{OUT(E)} ⁽²⁾	V _{PULL} =1.5V, Voltage to start oscillation while V _{OUT} is decreasing	E9			V	①
Operation Start Voltage	V _{ST1}	I _{OUT} =1mA	-	-	V _{RELEASE(E)} ⁽⁷⁾	V	②
Operation Hold Voltage	V _{HLD}	R _L =1kΩ	V _{DETECT(E)} ⁽⁸⁾	-	-	V	②
Supply Current2	I _q	Oscillation stops, V _{OUT} =V _{OUT(T)} +0.5V ⁽¹⁾	E4			μA	③
Input Pin Current2	I _{BAT}	V _{OUT} =V _{OUT(T)} +0.5V ⁽¹⁾	E5			μA	③
Stand-by Current	I _{STB}	V _{BAT} =V _{LX} =V _{OUT(T)} ⁽¹⁾ , V _{OUT} =V _{CE} =0V	-	0.1	1.0	μA	④
L _x Leak Current	I _{LXL}	V _{BAT} =V _{LX} =V _{OUT(T)} ⁽¹⁾ , V _{OUT} =V _{CE} =0V	-	0.1	1.0	μA	⑤
PFM Switching Current	I _{PFM}	I _{OUT} =3mA	295	350	405	mA	②
Maximum ON Time	t _{ONMAX}	V _{PULL} = V _{RELEASE(T)} +0.1V ⁽⁶⁾ , V _{OUT} =V _{OUT(T)} ×0.98 ⁽¹⁾	3.1	4.6	6.0	μs	①
Efficiency ⁽³⁾	EFFI	V _{OUT(T)} ⁽¹⁾ =2.5V, I _{OUT} =30mA	-	81	-	%	②
Efficiency ⁽³⁾	EFFI	V _{OUT(T)} ⁽¹⁾ =3.3V, I _{OUT} =30mA	-	85	-	%	②
Efficiency ⁽³⁾	EFFI	V _{OUT(T)} ⁽¹⁾ =5.0V, I _{OUT} =30mA	-	86	-	%	②
LX SW "Pch" ON Resistance ⁽⁴⁾	R _{LXP}	V _{BAT} =V _{LX} =V _{CE} =V _{OUT(T)} +0.5V ⁽¹⁾ , I _{OUT} =200mA	E3			Ω	⑦
LX SW "Nch" ON Resistance ⁽⁵⁾	R _{LXN}	V _{BAT} =V _{CE} =3.3V, V _{OUT} =1.7V	-	0.6	-	Ω	⑧
CE "H" Voltage	V _{CEH}	V _{BAT} =V _{PULL} = V _{RELEASE(T)} +0.1V ⁽⁶⁾ , V _{OUT} =V _{OUT(T)} ×0.98 ⁽¹⁾ While V _{CE} =0.3→0.75V, Voltage to start oscillation	0.75	-	5.5	V	①
CE "L" Voltage	V _{CEL}	V _{BAT} =V _{PULL} = V _{RELEASE(T)} +0.1V ⁽⁶⁾ , V _{OUT} =V _{OUT(T)} ×0.98 ⁽¹⁾ While V _{CE} =0.75→0.3V, Voltage to stop oscillation	GND	-	0.3	V	①
CE "H" Current	I _{CEH}	V _{BAT} =V _{CE} =V _{LX} =V _{OUT} =5.5V	-0.1	-	0.1	μA	①
CE "L" Current	I _{CEL}	V _{BAT} =V _{LX} =V _{OUT} =5.5V, V _{CE} =0V	-0.1	-	0.1	μA	①
UVLO Current	I _{DQ}	V _{BAT} = V _{CE} = V _{DETECT(E)} - 0.1V ⁽⁸⁾ , I _{OUT} =0mA	E6			μA	②
UVLO Release Voltage	V _{RELEASE(E)} ⁽⁷⁾	V _{PULL} = V _{OUT} = V _{OUT(T)} ×0.98 ⁽¹⁾ , V _{BAT} = V _{CE} Voltage to start oscillation while V _{BAT} is increasing	E7			V	①
UVLO Hysteresis Voltage	V _{HYS(E)} ⁽⁹⁾	V _{PULL} = V _{OUT} = V _{OUT(T)} ×0.98 ⁽¹⁾ , V _{BAT} = V _{CE} V _{RELEASE(E)} - Voltage to stop oscillation while V _{BAT} is decreasing ⁽⁷⁾	0.1	0.15	0.2	V	①

Unless otherwise stated, V_{BAT}=V_{CE}=V_{RELEASE(T)}+0.1V⁽⁶⁾

⁽¹⁾V_{OUT(T)}= Nominal Output Voltage

⁽²⁾V_{OUT(E)}= Effective Output Voltage

The actual output voltage value V_{OUT(E)} is the PFM comparator threshold voltage in the IC. Therefore, the DC/DC circuit output voltage, including the peripheral components, is boosted by the ripple voltage average value. Please refer to the characteristic example.

⁽³⁾ EFFI=[{(Output Voltage)×(Output Current)} / {(Input Voltage)×(Input Current)}]×100

⁽⁴⁾ LX SW "Pch" ON resistance=(V_{LX}-V_{OUT} pin measurement voltage) / 200mA

⁽⁵⁾ The LX SW "Nch" ON resistance measurement method is shown in the measurement circuit diagram.

⁽⁶⁾V_{RELEASE(T)}= Nominal UVLO release voltage

⁽⁷⁾V_{RELEASE(E)}= Actual UVLO release voltage

⁽⁸⁾V_{DETECT(E)}=V_{RELEASE(E)} -V_{HYS(E)}= Actual UVLO detect voltage

⁽⁹⁾V_{HYS(E)}= Actual UVLO hysteresis voltage

■ ELECTRICAL CHARACTERISTICS (Continued)

XC9140Cxxx type (types other than XC9140Cxx1)

Ta=25°C

PARAMETER	SYMBOL	CONDITIONS	MIN.	TYP.	MAX.	UNITS	CIRCUIT
Input Voltage	V _{BAT}		-	-	5.5	V	
Output Voltage	V _{OUT(E)} ⁽²⁾	V _{PULL} =1.5V, Voltage to start oscillation while V _{OUT} is decreasing	E9			V	①
Operation Start Voltage	V _{ST1}	I _{OUT} =1mA	-	-	V _{RELEASE(E)} ⁽⁷⁾	V	②
Operation Hold Voltage	V _{HLD}	R _L =1kΩ	V _{DETECT(E)} ⁽⁸⁾	-	-	V	②
Supply Current2	I _q	Oscillation stops, V _{OUT} =V _{OUT(T)} +0.5V ⁽¹⁾	E4			μA	③
Input Pin Current2	I _{BAT}	V _{OUT} =V _{OUT(T)} +0.5V ⁽¹⁾	E5			μA	③
Bypass Mode Current	I _{BYP}	V _{BAT} =V _{LX} =V _{RELEASE(T)} +0.1V ⁽⁶⁾ , V _{CE} =0V	-	5.5	8.1	μA	⑥
PFM Switching Current	I _{PFM}	I _{OUT} =3mA	295	350	405	mA	②
Maximum ON Time	t _{ONMAX}	V _{PULL} =V _{RELEASE(T)} +0.1V ⁽⁶⁾ , V _{OUT} =V _{OUT(T)} ×0.98 ⁽¹⁾	3.1	4.6	6.0	μs	①
Efficiency ⁽³⁾	EFFI	V _{OUT(T)} ⁽¹⁾ =2.5V, I _{OUT} =30mA	-	81	-	%	②
Efficiency ⁽³⁾	EFFI	V _{OUT(T)} ⁽¹⁾ =3.3V, I _{OUT} =30mA	-	85	-	%	②
Efficiency ⁽³⁾	EFFI	V _{OUT(T)} ⁽¹⁾ =5.0V, I _{OUT} =30mA	-	86	-	%	②
LX SW "Pch" ON Resistance ⁽⁴⁾	R _{LXP}	V _{BAT} =V _{LX} =V _{CE} =V _{OUT(T)} +0.5V ⁽¹⁾ , I _{OUT} =200mA	E3			Ω	⑦
LX SW "Nch" ON Resistance ⁽⁵⁾	R _{LXN}	V _{BAT} =V _{CE} =3.3V, V _{OUT} =1.7V	-	0.6	-	Ω	⑧
CE "H" Voltage	V _{CEH}	V _{BAT} =V _{PULL} =V _{RELEASE(T)} +0.1V ⁽⁶⁾ , V _{OUT} =V _{OUT(T)} ×0.98 ⁽¹⁾ While V _{CE} =0.3→0.75V, Voltage to start oscillation	0.75	-	5.5	V	①
CE "L" Voltage	V _{CEL}	V _{BAT} =V _{PULL} =V _{RELEASE(T)} +0.1V ⁽⁶⁾ , V _{OUT} =V _{OUT(T)} ×0.98 ⁽¹⁾ While V _{CE} =0.75→0.3V, Voltage to stop oscillation	GND	-	0.3	V	①
CE "H" Current	I _{CEH}	V _{BAT} =V _{CE} =V _{LX} =V _{OUT} =5.5V	-0.1	-	0.1	μA	①
CE "L" Current	I _{CEL}	V _{BAT} =V _{LX} =V _{OUT} =5.5V, V _{CE} =0V	-0.1	-	0.1	μA	①
UVLO Current	I _{DQ}	V _{BAT} =V _{CE} =V _{DETECT(E)} -0.1V ⁽⁸⁾ , I _{OUT} =0mA	E6			μA	②
UVLO Bypass Current	I _{DBYP}	V _{BAT} =V _{LX} =V _{DETECT(E)} -0.1V ⁽⁸⁾ , V _{CE} =0V	E8			μA	⑥
UVLO Release Voltage	V _{RELEASE(E)} ⁽⁷⁾	V _{PULL} =V _{OUT} =V _{OUT(T)} ×0.98 ⁽¹⁾ , V _{BAT} =V _{CE} Voltage to start oscillation while V _{BAT} is increasing	E7			V	①
UVLO Hysteresis Voltage	V _{HYS(E)} ⁽⁹⁾	V _{PULL} =V _{OUT} =V _{OUT(T)} ×0.98 ⁽¹⁾ , V _{BAT} =V _{CE} V _{RELEASE(E)} - Voltage to stop oscillation while V _{BAT} is decreasing ⁽⁷⁾	0.1	0.15	0.2	V	①

Unless otherwise stated, V_{BAT}=V_{CE}=V_{RELEASE(T)}+0.1V⁽⁶⁾

⁽¹⁾V_{OUT(T)}=Nominal Output Voltage

⁽²⁾V_{OUT(E)}=Effective Output Voltage

The actual output voltage value V_{OUT(E)} is the PFM comparator threshold voltage in the IC. Therefore, the DC/DC circuit output voltage, including the peripheral components, is boosted by the ripple voltage average value. Please refer to the characteristic example.

⁽³⁾EFFI=[{(Output Voltage)×(Output Current)} / {(Input Voltage)×(Input Current)}]×100

⁽⁴⁾LX SW "Pch" ON resistance=(V_{LX}-V_{OUT} pin measurement voltage) / 200mA

⁽⁵⁾The LX SW "Nch" ON resistance measurement method is shown in the measurement circuit diagram.

⁽⁶⁾V_{RELEASE(T)}= Nominal UVLO release voltage

⁽⁷⁾V_{RELEASE(E)}= Actual UVLO release voltage

⁽⁸⁾V_{DETECT(E)}= V_{RELEASE(E)} -V_{HYS(E)}= Actual UVLO detect voltage

⁽⁹⁾V_{HYS(E)}= Actual UVLO hysteresis voltage

ELECTRICAL CHARACTERISTICS (Continued)

XC9140 Voltage Chart 1

SYMBOL	E1		E9		E2		E3		E4	
PARAMETER	Output Voltage (XC9140xxx1)		Output Voltage (types other than XC9140xxx1)		Supply Current		LX SW "Pch" ON RESISTANCE		Supply Current2	
UNITS: V	UNITS: V		UNITS: V		UNITS: μ A		UNITS: Ω		UNITS: μ A	
OUTPUT VOLTAGE	MIN.	MAX.	MIN.	MAX.	TYP.	MAX.	TYP.	MAX.	TYP.	MAX.
1.8	1.764	1.836	-	-	6.1	9.4	0.84	1.08	6.8	9.7
1.9	1.862	1.938	-	-						
2.0	1.960	2.040	-	-						
2.1	2.058	2.142	-	-						
2.2	2.156	2.244	-	-	6.2	9.7	0.75	0.97	6.9	9.8
2.3	2.254	2.346	-	-						
2.4	2.352	2.448	-	-						
2.5	2.450	2.550	-	-						
2.6	2.548	2.652	-	-						
2.7	2.646	2.754	-	-						
2.8	2.744	2.856	-	-						
2.9	2.842	2.958	-	-						
3.0	2.940	3.060	2.940	3.060	6.3	10.0	0.65	0.85	7.0	10.0
3.1	3.038	3.162	3.038	3.162						
3.2	3.136	3.264	3.136	3.264						
3.3	3.234	3.366	3.234	3.366						
3.4	3.332	3.468	3.332	3.468	6.4	10.2	0.61	0.78	7.1	10.1
3.5	3.430	3.570	3.430	3.570						
3.6	3.528	3.672	3.528	3.672						
3.7	3.626	3.774	3.626	3.774						
3.8	3.724	3.876	3.724	3.876						
3.9	3.822	3.978	3.822	3.978						
4.0	3.920	4.080	3.920	4.080	6.5	10.4	0.57	0.74	7.2	10.2
4.1	4.018	4.182	4.018	4.182						
4.2	4.116	4.284	4.116	4.284						
4.3	4.214	4.386	4.214	4.386						
4.4	4.312	4.488	4.312	4.488	6.7	10.7	0.53	0.72	7.3	10.3
4.5	4.410	4.590	4.410	4.590						
4.6	4.508	4.692	4.508	4.692						
4.7	4.606	4.794	4.606	4.794						
4.8	4.704	4.896	4.704	4.896						
4.9	4.802	4.998	4.802	4.998						
5.0	4.900	5.100	4.900	5.100						

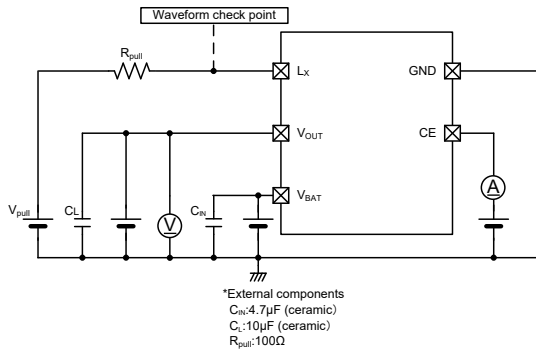
■ ELECTRICAL CHARACTERISTICS (Continued)

XC9140 Voltage Chart 2

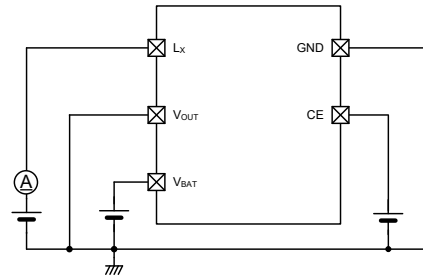
SYMBOL	E5		E6		E7		E8	
PARAMETER	Input Pin Current ²		UVLO Current		UVLO RELEASE VOLTAGE		UVLO Bypass Current	
UNITS: V	UNITS: μ A		UNITS: μ A		UNITS: V		UNITS: μ A	
UVLO Release Voltage	TYP.	MAX.	TYP.	MAX.	MIN.	MAX.	TYP.	MAX.
1.65	0.71	1.50	3.25	6.00	1.601	1.699	2.15	4.10
1.70					1.649	1.751		
1.75	0.73	1.60	3.27	6.10	1.698	1.802	2.20	4.20
1.80					1.746	1.854		
1.85	0.75	1.60	3.29	6.20	1.795	1.905	2.30	4.20
1.90					1.843	1.957		
1.95	0.77	1.60	3.31	6.20	1.892	2.008	2.35	4.30
2.00					1.940	2.060		
2.05	0.79	1.70	3.33	6.30	1.989	2.111	2.40	4.30
2.10					2.037	2.163		
2.15	0.82	1.70	3.35	6.30	2.086	2.214	2.45	4.40
2.20					2.134	2.266		

TEST CIRCUITS

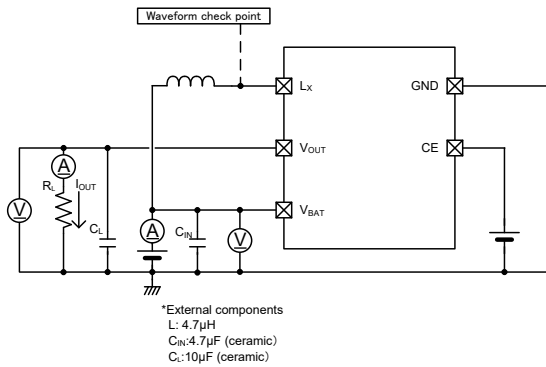
< Test Circuit No.① >



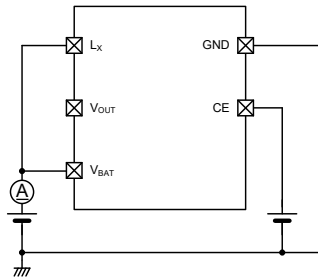
< Test Circuit No.⑤ >



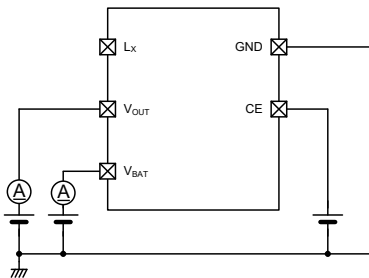
< Test Circuit No.② >



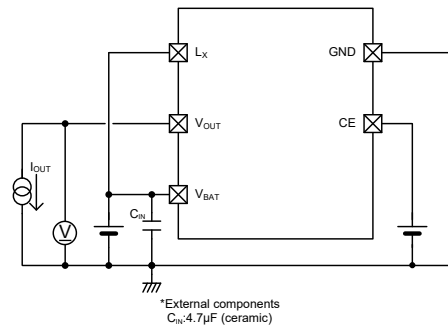
< Test Circuit No.⑥ >



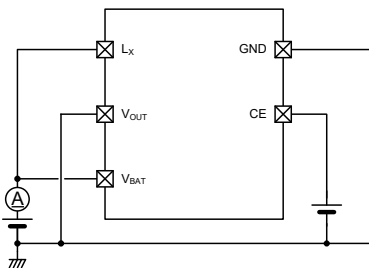
< Test Circuit No.③ >



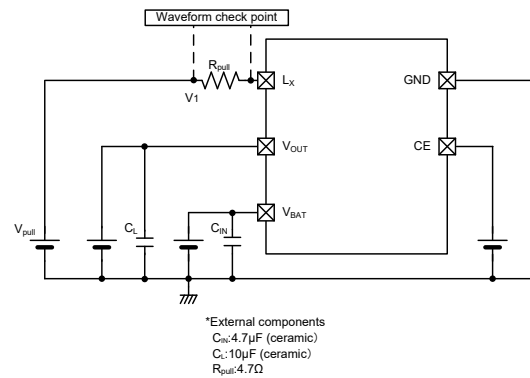
< Test Circuit No.⑦ >



< Test Circuit No.④ >



< Test Circuit No.⑧ >



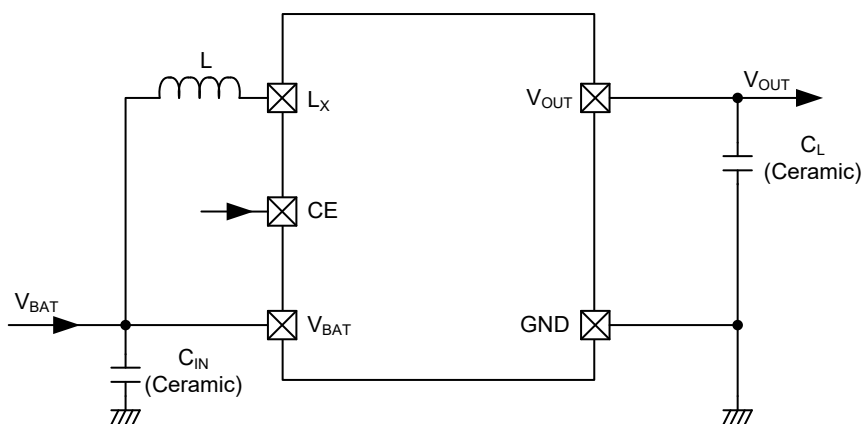
<Lx SW "Nch" ON Resistance Measurement Method>

Use Test Circuit No.8 to adjust V_{pull} so that the L_x pin voltage becomes 100mV when the Nch drive Tr is ON and then the voltage at both ends of R_{pull} is measured to find the L_x SW "Nch" ON resistance.

$$R_{LXN} = 0.1V / \{(V1 - 0.1V) / 4.7\Omega\}$$

Note that V1 is the R_{pull} previous voltage when the Nch driver Tr is ON. Use an oscilloscope or other instrument to measure the L_x pin voltage and V1.

■ TYPICAL APPLICATION CIRCUIT



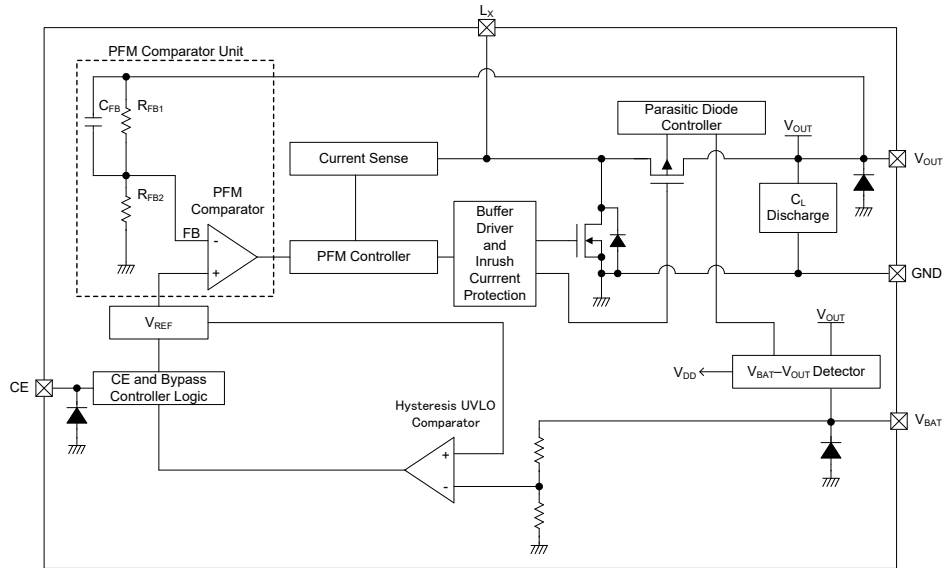
【Typical External Components】

	MANUFACTURE	PRODUCT NUMBER	VALUE
L	TDK	VLF302512M-4R7	4.7 μ H
	Murata	1239AS-H-4R7M	4.7 μ H
C_{IN}	TAIYO YUDEN	LMK107BJ475MA	4.7 μ F/10V
C_L	TAIYO YUDEN	LMK107BJ106MA	10 μ F/10V

- * When selecting components, take into consideration capacitance reduction, voltage, etc.
- * The characteristics are dependent on the variation in the coil inductance value, so check these carefully in the actual product.
- * A coil inductance value of 4.7 μ H to 10 μ H can be used, but using 4.7 μ H is recommended.
- * The ripple voltage will increase if tantalum or electrolytic capacitors are used for the load capacitor C_L .
The operation could also become unstable, so carefully check this in the actual product.

OPERATIONAL EXPLANATION

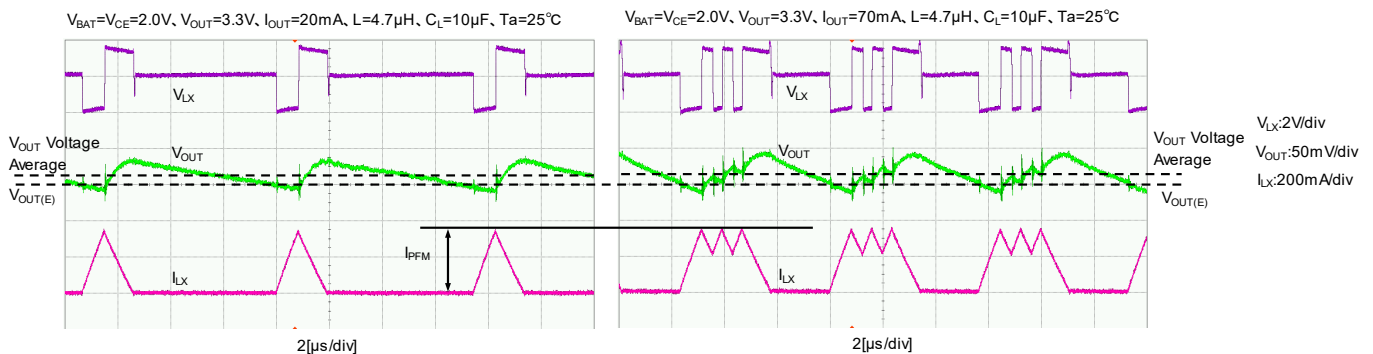
The XC9140 Series consists of a standard voltage source, a PFM comparator, a Nch driver T_r , a Pch synchronous rectifier switch T_r , a current sense circuit, a PFM control circuit and a CE control circuit, etc. (refer to the block diagram below.)



Current limit PFM control is used for the control method to make it difficult for the output voltage ripple to increase even when the switching current is superimposed, so the product can be used within a wide voltage and current range. Further, because PFM control is used, it has excellent transient response to support low capacity ceramic capacitors to realize a compact, high-performance boost DC/DC converter.

The synchronous driver and rectifier switch T_r efficiently sends the coil energy to the capacitor connected to the V_{OUT} pin to achieve highly efficient operation from low to high loads.

The electrical characteristics actual output voltage $V_{OUT(E)}$ is the PFM comparator threshold voltage shown in the block diagram. Therefore, the booster circuit output voltage average value, including the peripheral components, depends on the ripple voltage, so this must be carefully evaluated before being used in the actual product.



< Reference Voltage Source (V_{REF}) >

The reference voltage source (V_{REF} voltage) provides the reference voltage to ensure stable output voltage of the DC/DC converter.

< PFM Control >

① The voltage from the output voltage divided by the division resistors R_{FB1} and R_{FB2} in the IC is used as feedback voltage (FB voltage), and the PFM comparator is compared with the FB voltage and V_{REF} . If the FB voltage is lower than V_{REF} , the signal is sent to the buffer driver via the PFM control circuit and the Nch driver T_r is turned ON. If the FB voltage is higher than V_{REF} , the PFM comparator sends a signal that does not turn ON the Nch driver T_r .

② The current sense circuit monitors the current flowing in the Nch driver T_r connected to the L_x pin when the Nch driver T_r is ON. When the prescribed PFM switching current (I_{PFM}) is reached, the signal is sent to the buffer driver via the PFM control circuit to turn OFF the Nch driver T_r and turn ON the Pch synchronous rectifier switch T_r .

③ The Pch synchronous rectifier switch T_r ON time (off time) is dynamically optimized internally. After the off time has passed, when the PFM comparator confirms the V_{OUT} voltage has exceeded the set voltage, a signal that does not allow the Nch driver T_r to be turned on is sent from the PFM comparator to the PFM control circuit, but if the V_{OUT} voltage remains lower than the set voltage, then Nch driver T_r ON is started.

The intervals of the above ①②③ linked operations are continuously adjusted in response to the load current to ensure the output voltage is kept stable from low to high loads and that it is done with good efficiency.

■ OPERATIONAL EXPLANATION (Continued)

<PFM Switching Current>

The PFM switching current unit monitors the current flowing in the Nch driver Tr and functions to limit the current flowing in the Nch driver Tr, but if the load current becomes much larger than the PFM switching energy, the V_{OUT} voltage becomes lower and prevents the coil current in the Nch driver Tr OFF period from lowering, which affects the internal circuit delay time and results in an excessive current that is larger than the PFM switching current flowing in the Nch driver Tr and Pch synchronous rectifier switch Tr.

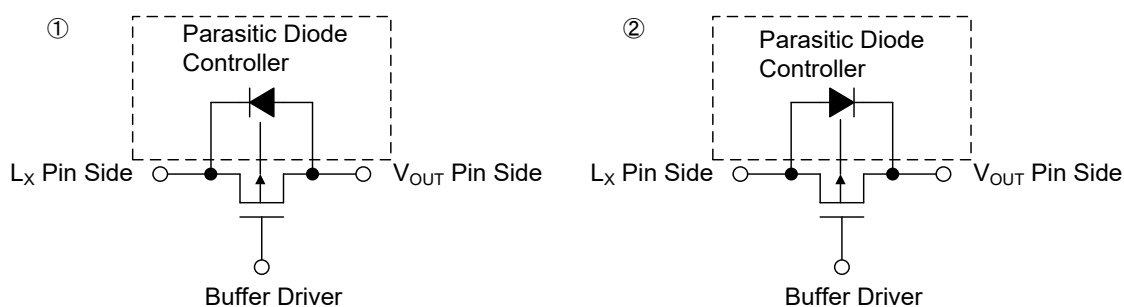
<Load Disconnection Function, Bypass Mode>

When a "L" voltage is input to the CE pin, the XC9140A/XC9140B type enters into standby mode and the XC9140C type enters into bypass mode to stop the circuit required for the boost operation.

In the standby mode the load cut-off function operates and both the Nch driver Tr and Pch synchronous rectifier switch Tr are turned OFF, which cuts off the current to the L_X pin and V_{OUT} pin and the parasitic diode control circuit connects the parasitic diode cathode of the Pch synchronous rectifier switch Tr to the L_X pin ①.

In the bypass mode the Nch driver Tr is OFF, the Pch synchronous rectifier switch Tr is ON when $V_{LX} > V_{OUT}$, and the parasitic diode control circuit connects the parasitic diode cathode of the Pch synchronous rectifier switch Tr to the V_{OUT} pin ②. Also, when $V_{LX} < V_{OUT}$, the Pch synchronous rectifier switch Tr is turned OFF and the parasitic diode cathode is connected to the V_{OUT} pin ②.

Note: Except for the moment when the V_{BAT} voltage is input.



< V_{BAT} - V_{OUT} Voltage Detection Circuit>

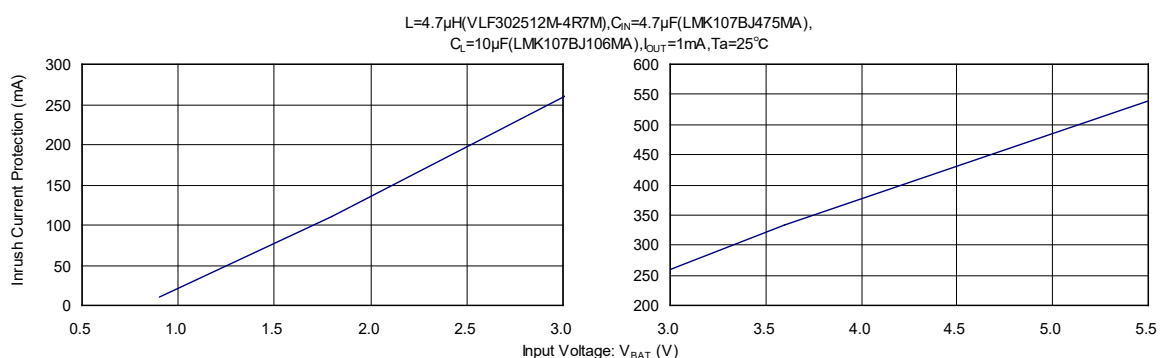
The V_{BAT} - V_{OUT} voltage detection circuit compares the V_{BAT} pin voltage with the V_{OUT} pin voltage, and whichever is the highest is operated to become the IC power supply (V_{DD}).

In addition, if, during normal operation, the input voltage becomes higher than the output voltage, the Nch driver Tr is turned OFF and the Pch synchronous rectifier switch Tr is kept ON so that the input voltage pass through to the output voltage (through mode). When the input voltage becomes lower than the output voltage, the circuit automatically returns to the normal boost operation. This detection circuit does not operate when in the standby mode.

<Inrush Current Protection Function>

When the V_{BAT} or V_{CE} power supply is input, C_L is charged via the stable current that results from the inrush current protection function (refer to graphs below). Therefore, this function minimizes potential over current from the V_{BAT} pin to the V_{OUT} pin. Also, this current value depends on the V_{BAT} voltage. After C_L is charged by the aforementioned stable current and V_{OUT} reaches around the V_{BAT} voltage level, the inrush current protection function will be released after several hundred μs ~ several ms and the IC will then move to step-up mode, by pass mode or through mode.

Inrush Current Protection Characteristics



■ OPERATIONAL EXPLANATION (Continued)

<UVLO Function >

The UVLO function is selectable on the XC9140 series as an option. When the V_{BAT} pin voltage falls below the UVLO detect voltage, the IC stops switching or BYPASS operation and cuts off the current to the L_X pin and V_{OUT} pin (UVLO mode). In addition, when the V_{BAT} pin voltage recovers to above the UVLO release voltage, the IC begins operating again.

<C_L Discharge Function>

XC9140B types can discharge the electric charge at the output capacitor (C_L) quickly during standby mode(CE="L") via the Nch FET located between V_{OUT} and GND.

Electric charge at the output capacitor (C_L) is quickly discharged so that it may avoid application malfunction during standby mode.

Discharge time of the output capacitor (C_L) is set by the C_L discharge resistance (R_{DCHG}) and the output capacitor (C_L). By setting time constant of a C_L discharge resistance value [R_{DCHG}] and an output capacitor value (C_L) as $\tau(C_L \times R_{DCHG})$, discharge time can be the calculated by the following formulas.

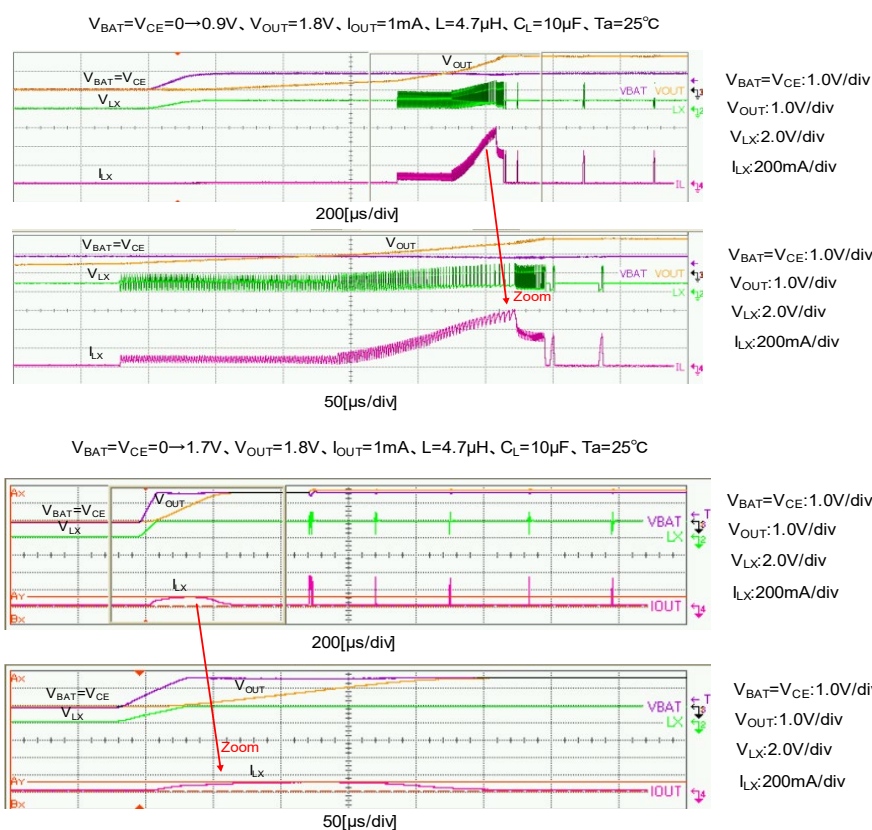
However, the C_L discharge resistance [R_{DCHG}] is depends on the V_{BAT} or V_{OUT}. We recommend that you fully check actual performance.

$$V = V_{OUT} \times e^{-t/\tau} \text{ or } t = \tau \ln(V_{OUT} / V)$$

V	: Output voltage after discharge
V _{OUT}	: Output voltage
t	: Discharge time
τ	: C _L × R _{DCHG}
C _L	: Capacity value of the load capacitor (C _L)
R _{DCHG}	: C _L Discharge resistance, it depends on the V _{BAT} or V _{OUT}

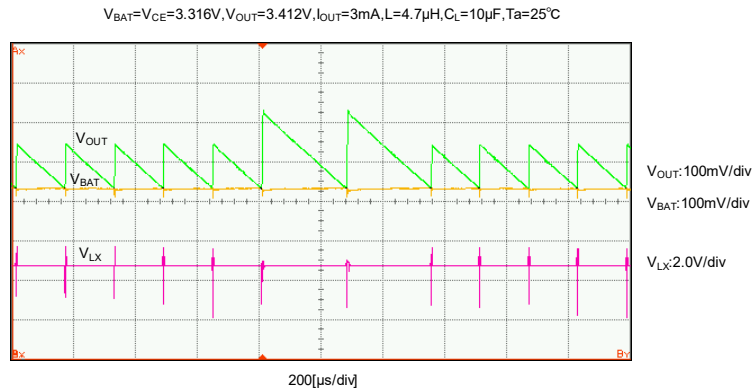
NOTE ON USE

1. Be careful not to exceed the absolute maximum ratings for externally connected components and this IC.
2. The DC/DC converter characteristics greatly depend not only on the characteristics of this IC but also on those of externally connected components, so refer to the specifications of each component and be careful when selecting the components. Be especially careful of the characteristics of the capacitor used for the load capacity C_L and use a capacitor with B characteristics (JIS Standard) or an X7R/X5R (EIA Standard) ceramic capacitor.
3. Use a ground wire of sufficient strength. Ground potential fluctuation caused by the ground current during switching could cause the IC operation to become unstable, so reinforce the area around the GND pin of the IC in particular.
4. Mount the externally connected components in the vicinity of the IC. Also use short, thick wires to reduce the wire impedance.
5. An excessive current that is larger than the PFM switching current flowing in the Nch driver Tr and Pch synchronous rectifier switch Tr, which could destroy the IC.
6. When in the bypass mode, the internal Pch synchronous rectifier switch Tr turns ON to allow current to flow to the Lx pin and V_{OUT} pin. When an excessive current comes from the V_{OUT} pin when this bypass operates, it could destroy the Pch synchronous rectifier switch Tr.
7. The CE pin does not have an internal pull-up or pull-down, etc. Apply the prescribed voltage to the CE pin.
8. The coil inductance value applicable range is 4.7 μ H to 10 μ H, but 4.7 μ H is recommended because at this value the coil size and DC/DC performance are optimized. If you want to use another inductance value other than 4.7 μ H but which is in the above applicable range, be sure to carefully evaluate it first before use.
9. At high temperatures, the product performance could vary causing the efficiency to decline. Evaluate this carefully before use if the product will be used at high temperatures.
10. Please note that the leak current of the Pch synchronous rectifier switch Tr during high-temperature standby operation could cause the output voltage to increase.
11. The output voltage ripple effect from the load current causes the output voltage average value to fluctuate, so carefully evaluate this in the actual product before use.
12. When the booster circuit is activated by a low input voltage, during the time until the output voltage reaches about 1.7V, the PFM switching current function might not operate causing the coil current to be superimposed. (See the figure below.)



NOTE ON USE (Continued)

13. If the C_L capacity or load current becomes excessively large, the output voltage start-up time, when the power is turned on, will increase, so the coil current might be superimposed during the time it takes for the output voltage to become sufficiently higher than the V_{BAT} voltage.
14. If the input voltage is higher than the output voltage, then the circuit automatically enters the through mode. When the input voltage becomes close to the output voltage, there could be repeated switching between the boost mode and through mode causing the ripple voltage to fluctuate. (Refer to the graphic below)



15. If a different power supply is connected from an external source to the IC could be destroyed.
Refer to the table below for external voltage availability for each product type and operating conditions.

	TYPE	$0.9V \leq V_{BAT} \leq 5.5V$		$V_{BAT} < 0.9V$	
		CE="L"	CE="H"	CE="H"	CE="L"
Applied Voltage to the V_{OUT} pin	XC9140Axx1	Yes	Yes	No	No
	XC9140Bxx1	No (CL Discharge Operation)			
	XC9140Cxx1	No (Reverse Flow toward the input)			

	TYPE	$0.9V \leq V_{BAT} \leq 5.5V$ (UVLO Release State)		$0.9V \leq V_{BAT} < V_{RELEASE(E)}$ (UVLO Detect State)		$V_{BAT} < 0.9V$	
		CE="L"	CE="H"	CE="H"	CE="L"	CE="H"	CE="L"
Applied Voltage to the V_{OUT} pin	Other than XC9140Axx1	Yes	Yes	Yes	Yes	No	No
	Other than XC9140Bxx1	No (CL Discharge Operation)		No (CL Discharge Operation)	No (CL Discharge Operation)		
	Other than XC9140Cxx1	No (Reverse Flow toward the input)		Yes	Yes		

■ NOTE ON USE (Continued)

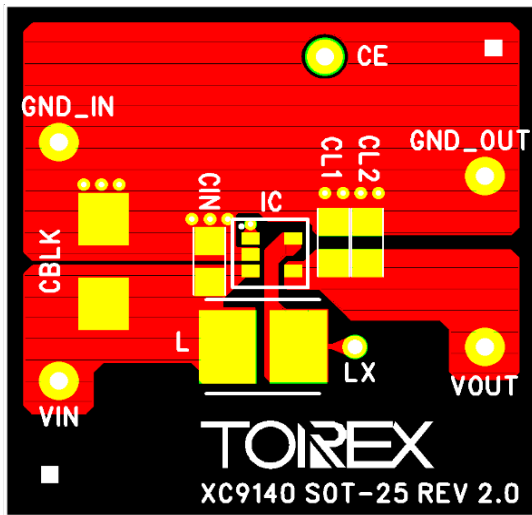
16. For temporary, transitional voltage drop or voltage rising phenomenon, the IC is liable to malfunction should the ratings be exceeded.
17. Torex places an importance on improving our products and their reliability.
We request that users incorporate fail-safe designs and post-aging protection treatment when using Torex products in their systems.
18. When the V_{BAT} power supply or V_{CE} power supply is input, if the V_{OUT} pin voltage does not exceed $V_{BAT} - 0.35V$, which can happen due to the load current being more than the inrush protection current, by pass mode operations won't function correctly.
19. In the case of products with the UVLO function that do not have C_L discharge, the output voltage may occasionally rise due to leakage current from the Pch synchronous switch T_r when high-temperature UVLO mode operates.

NOTE ON USE (Continued)

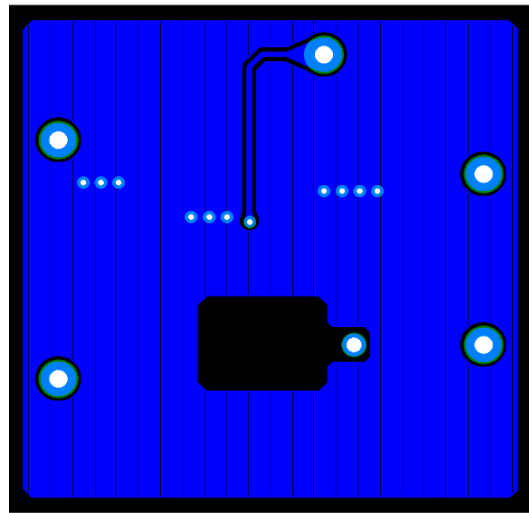
● Instructions of pattern layouts

1. In order to stabilize V_{BAT} voltage level, we recommend that a by-pass capacitor (C_{IN}) be connected as close as possible to the V_{BAT} and ground pins.
2. Please mount each external component as close to the IC as possible.
3. Wire external components as close to the IC as possible and use thick, short connecting traces to reduce the circuit impedance.
4. Make sure that the ground traces are as thick as possible, as variations in ground potential caused by high ground currents at the time of switching may result in instability of the IC.
5. Internal driver transistors bring on heat because of the transistor current and ON resistance of the driver transistors.

● Recommended Pattern Layout (SOT-25)

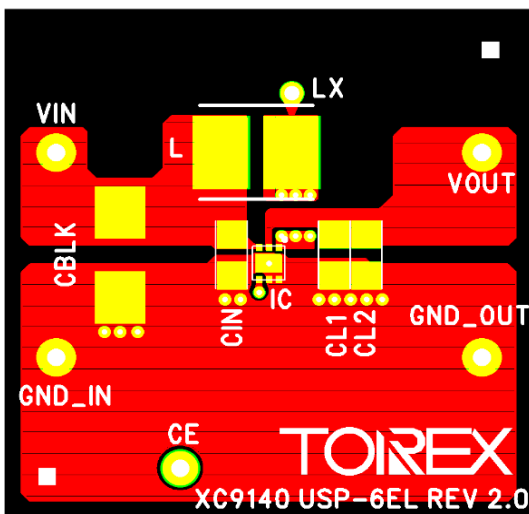


FRONT

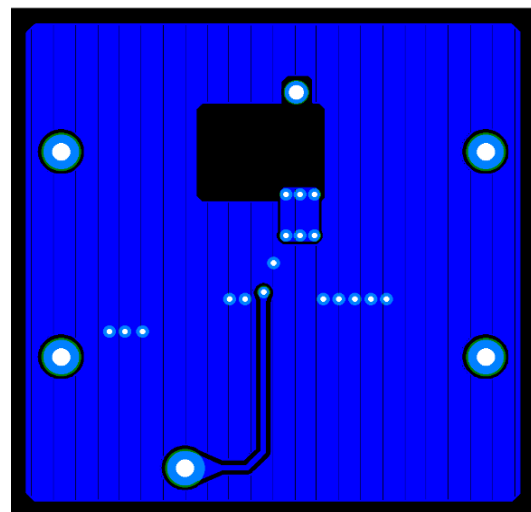


BACK

● Recommended Pattern Layout (USP-6EL)



FRONT

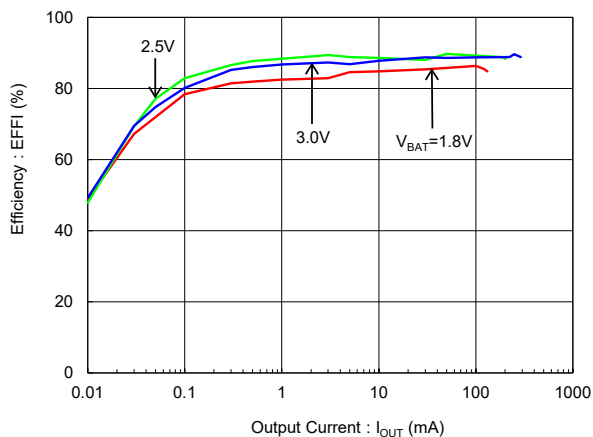


BACK

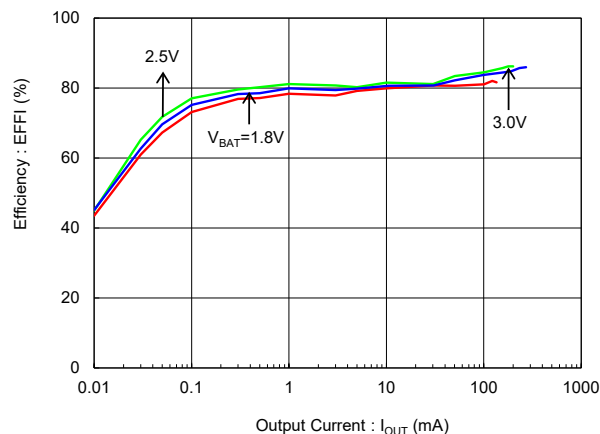
TYPICAL PERFORMANCE CHARACTERISTICS

(1) Efficiency vs. Output Current

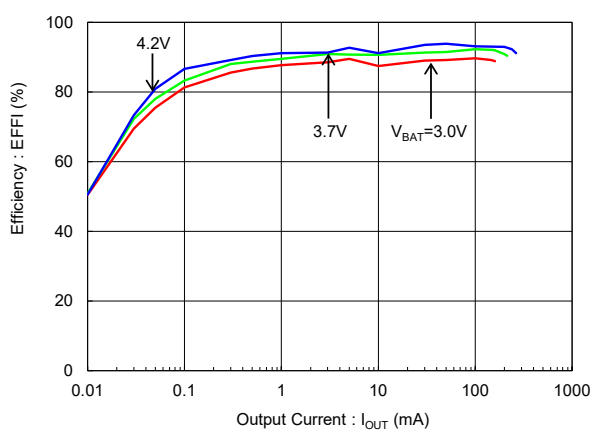
XC9140A331MR-G(V_{OUT}=3.3V)
L=4.7μH(VLF302512M-4R7M), C_{IN}=4.7μF(LMK107BJ475MA),
C_O=10μF(LMK107BJ106MA)



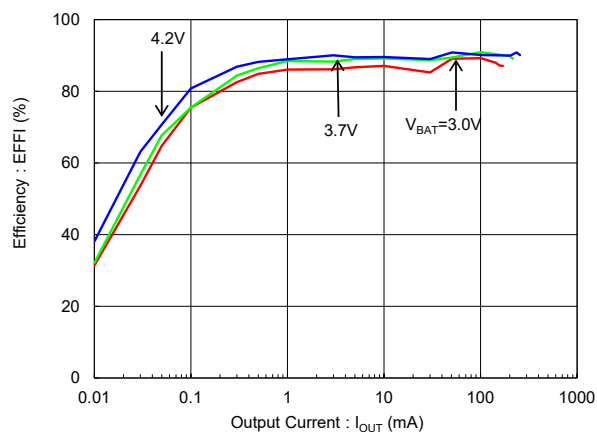
XC9140A331MR-G(V_{OUT}=3.3V)
L=10μH(VLF302512M-100M), C_{IN}=4.7μF(LMK107BJ475MA),
C_O=10μF(LMK107BJ106MA)



XC9140A501MR-G(V_{OUT}=5.0V)
L=4.7μH(VLF302512M-4R7M), C_{IN}=4.7μF(LMK107BJ475MA),
C_O=10μF(LMK107BJ106MA)

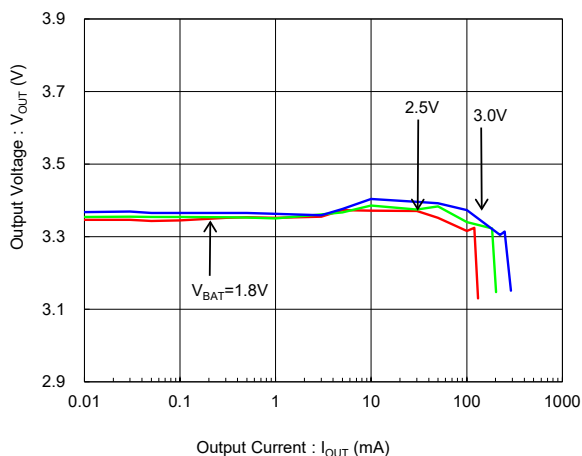


XC9140A501MR-G(V_{OUT}=5.0V)
L=10μH(VLF302512M-100M), C_{IN}=4.7μF(LMK107BJ475MA),
C_O=10μF(LMK107BJ106MA)

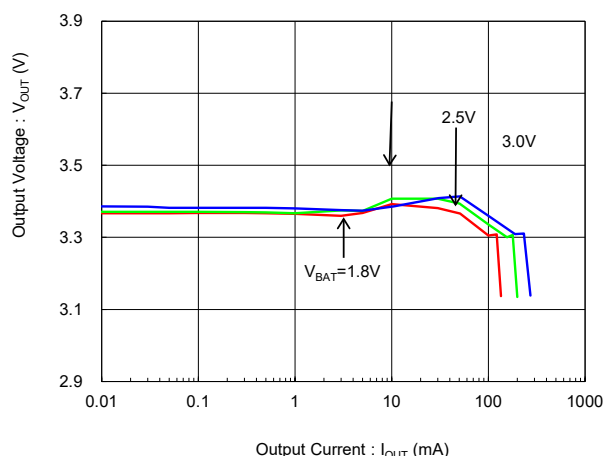


(2) Output Voltage vs. Output Current

XC9140A331MR-G(V_{OUT}=3.3V)
L=4.7μH(VLF302512M-4R7M), C_{IN}=4.7μF(LMK107BJ475MA),
C_O=10μF(LMK107BJ106MA)



XC9140A331MR-G(V_{OUT}=3.3V)
L=10μH(VLF302512M-100M), C_{IN}=4.7μF(LMK107BJ475MA),
C_O=10μF(LMK107BJ106MA)

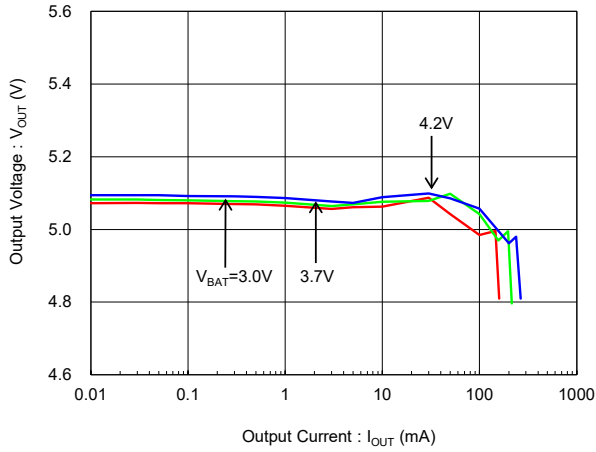


TYPICAL PERFORMANCE CHARACTERISTICS (Continued)

(2) Output Voltage vs. Output Current (Continued)

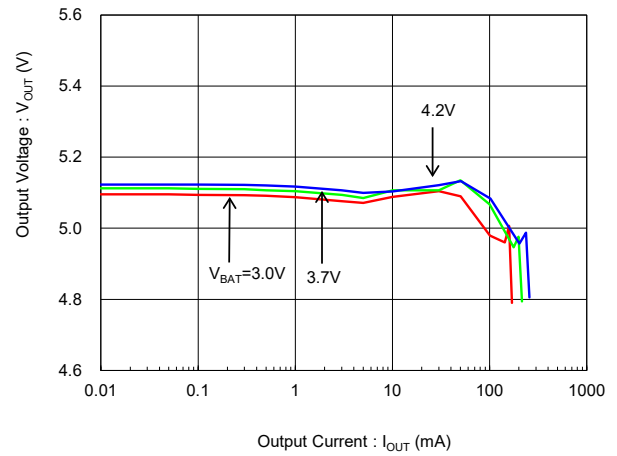
XC9140A501MR-G (V_{OUT}=5.0V)

L=4.7μH(VLF302512M-4R7M), C_{IN}=4.7μF(LMK107BJ475MA),
C_O=10μF(LMK107BJ106MA)



XC9140A501MR-G (V_{OUT}=5.0V)

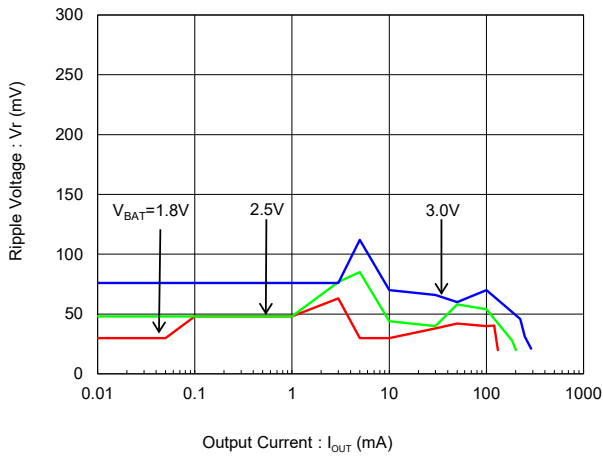
L=10μH(VLF302512M-100M), C_{IN}=4.7μF(LMK107BJ475MA),
C_O=10μF(LMK107BJ106MA)



(3) Ripple Voltage vs. Output Current

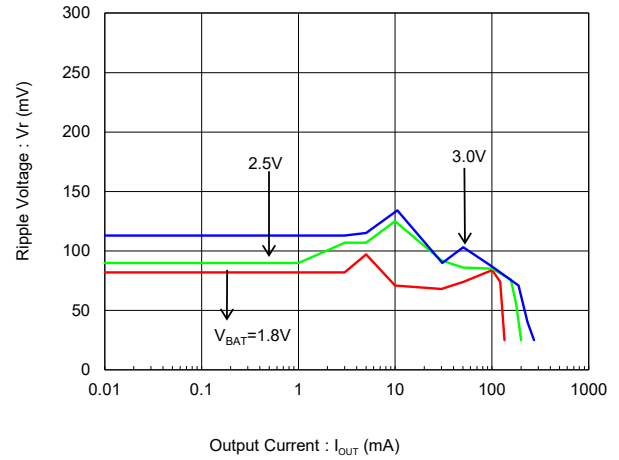
XC9140A331MR-G (V_{OUT}=3.3V)

L=4.7μH(VLF302512M-4R7M), C_{IN}=4.7μF(LMK107BJ475MA),
C_O=10μF(LMK107BJ106MA)



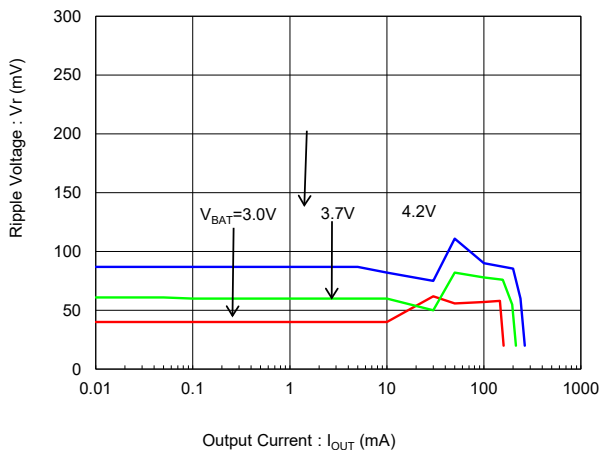
XC9140A331MR-G (V_{OUT}=3.3V)

L=10μH(VLF302512M-100M), C_{IN}=4.7μF(LMK107BJ475MA),
C_O=10μF(LMK107BJ106MA)



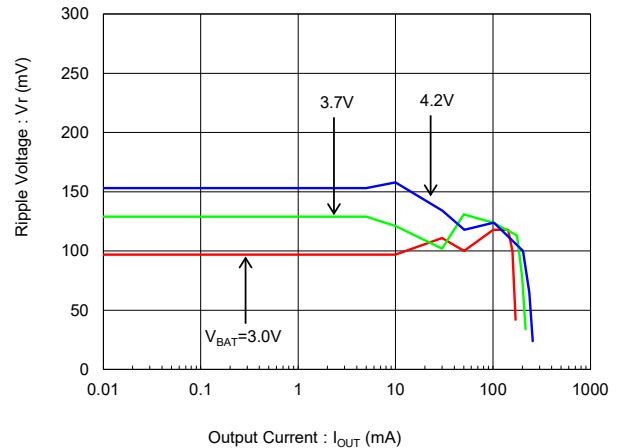
XC9140A501MR-G (V_{OUT}=5.0V)

L=4.7μH(VLF302512M-4R7M), C_{IN}=4.7μF(LMK107BJ475MA),
C_O=10μF(LMK107BJ106MA)



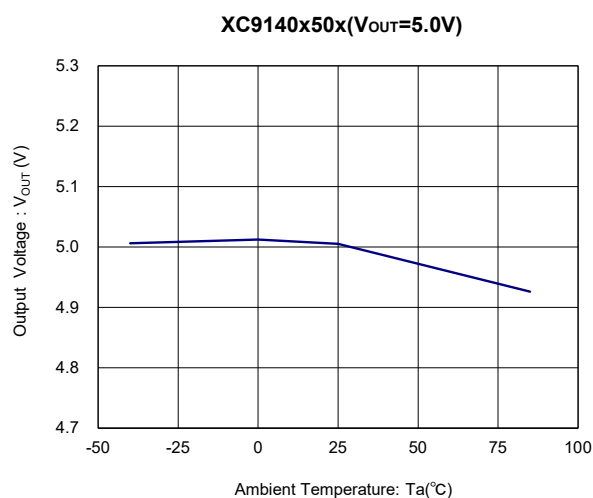
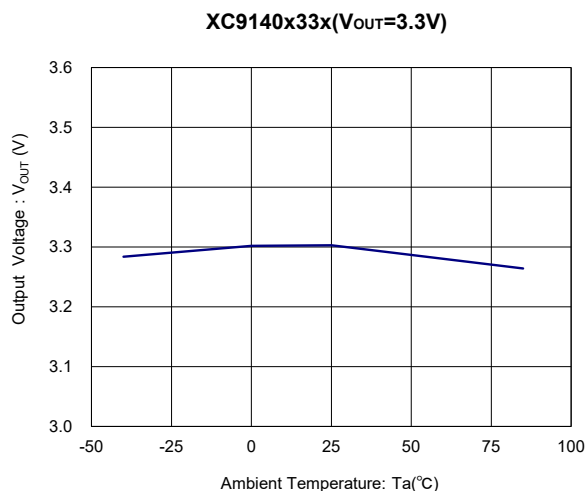
XC9140A501MR-G (V_{OUT}=5.0V)

L=10μH(VLF302512M-100M), C_{IN}=4.7μF(LMK107BJ475MA),
C_O=10μF(LMK107BJ106MA)

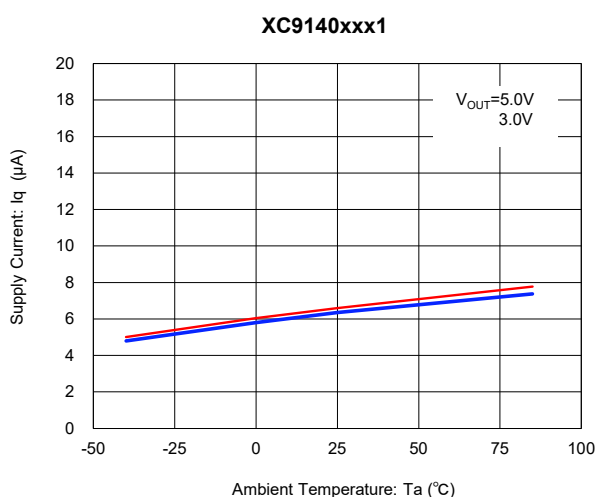


■ TYPICAL PERFORMANCE CHARACTERISTICS (Continued)

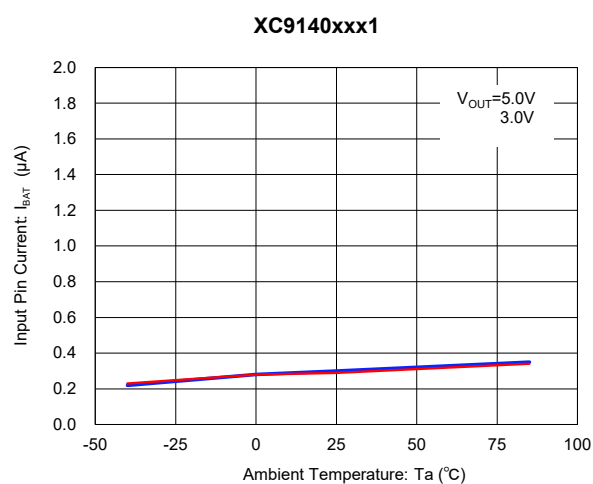
(4) Output Voltage vs. Ambient Temperature



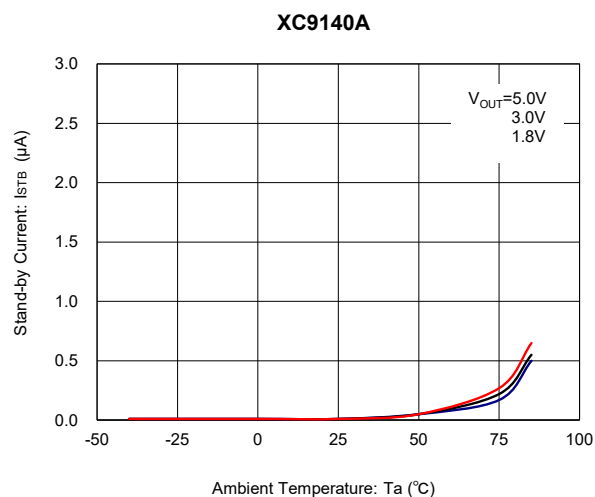
(5) Supply Current vs. Ambient Temperature



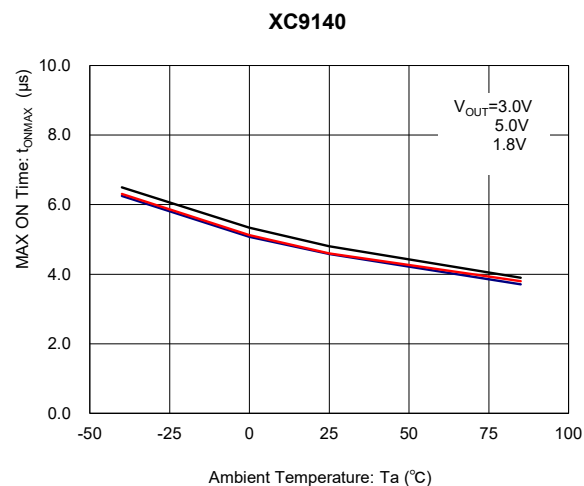
(6) Input Pin Current vs. Ambient Temperature



(7) Stand-by Current vs. Ambient Temperature

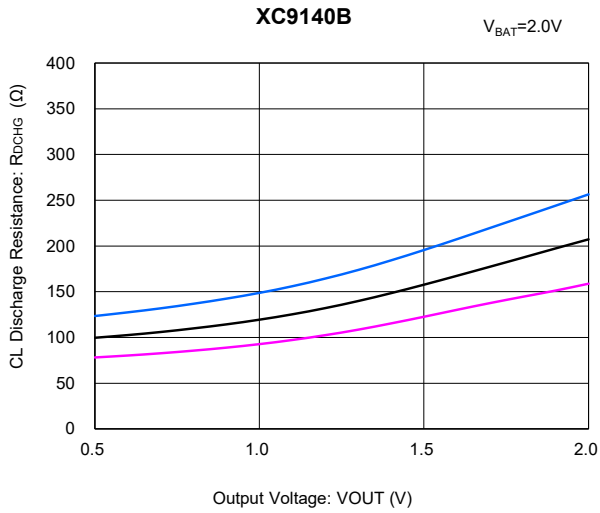


(8) MAX. ON Time vs. Ambient Temperature

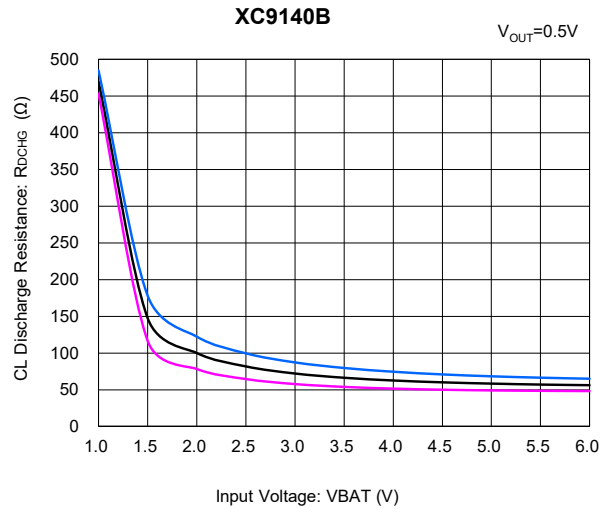


TYPICAL PERFORMANCE CHARACTERISTICS (Continued)

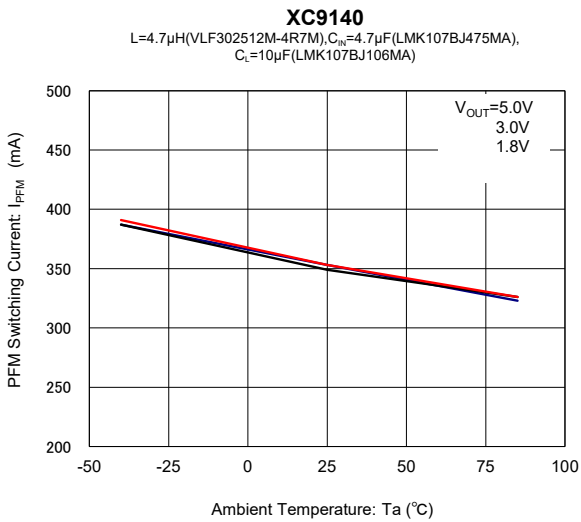
(9) C_L Discharge Resistance R_{DCHG} vs. Output Voltage



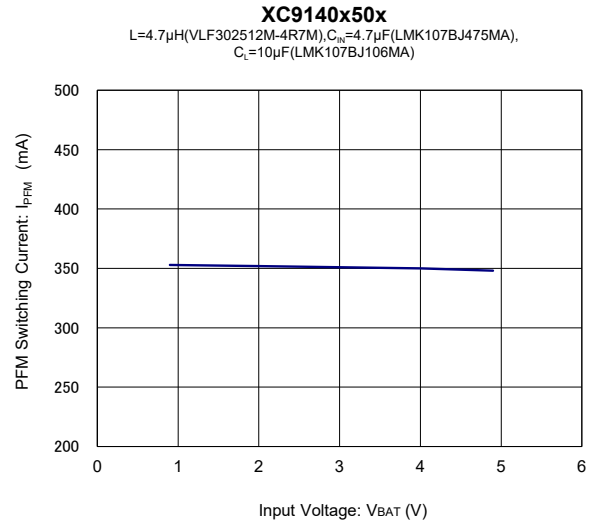
(10) C_L Discharge Resistance R_{DCHG} vs. Input Voltage



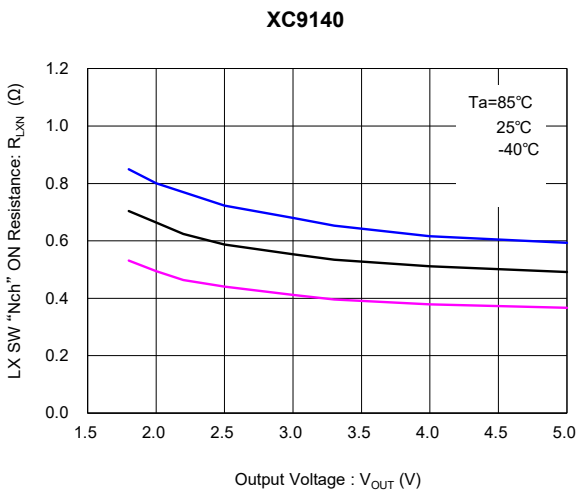
(11) PFM Switching Current vs. Ambient Temperature



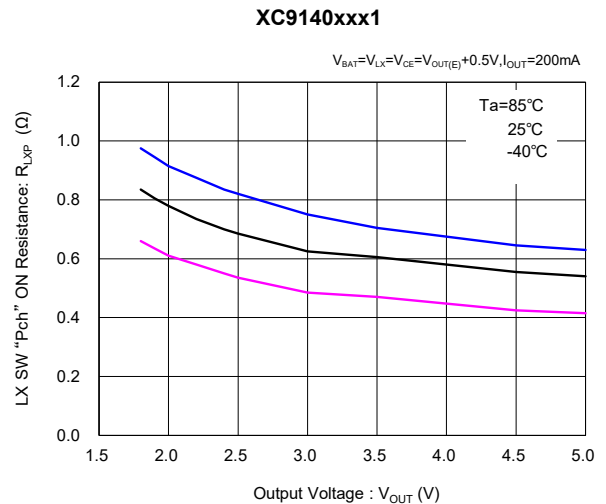
(12) PFM Switching Current vs. Input Voltage



(13) L_X SW "Nch" ON Resistance vs. Output Voltage

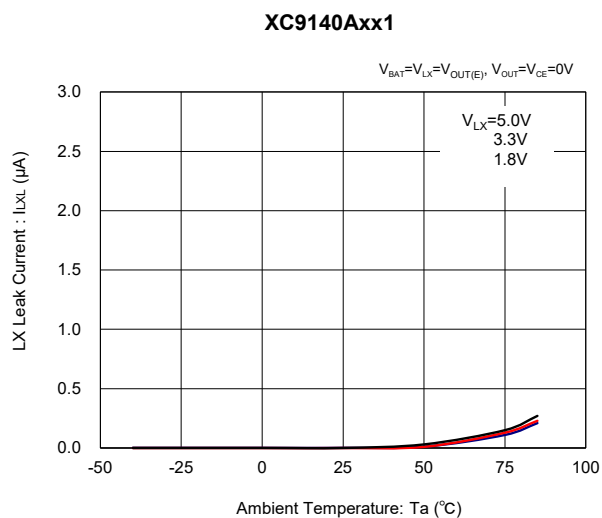


(14) L_X SW "Pch" ON Resistance vs. Output Voltage

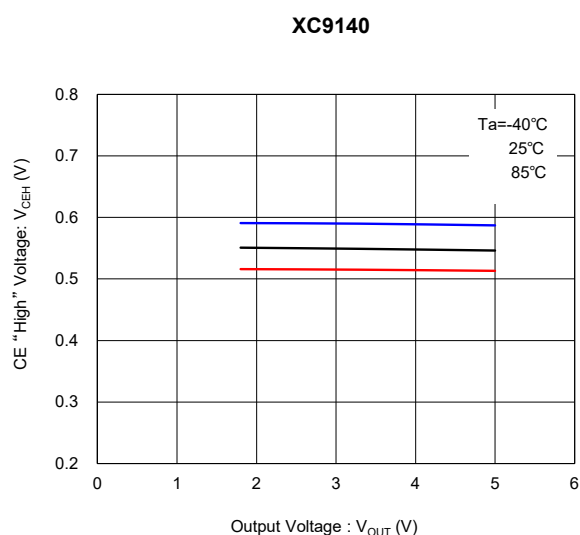


TYPICAL PERFORMANCE CHARACTERISTICS (Continued)

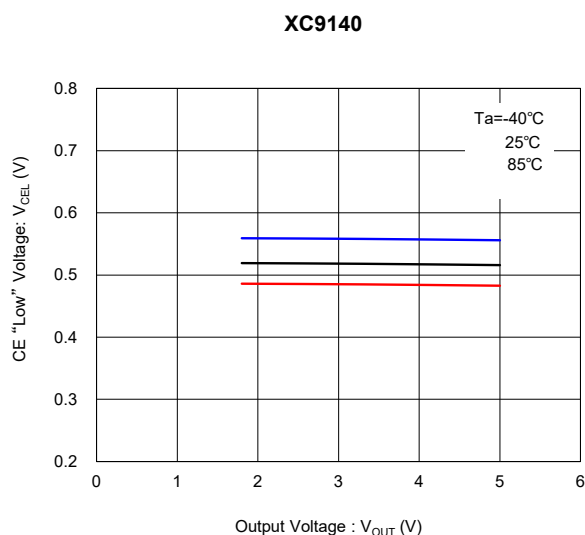
(15) Lx Leak Current vs. Ambient Temperature



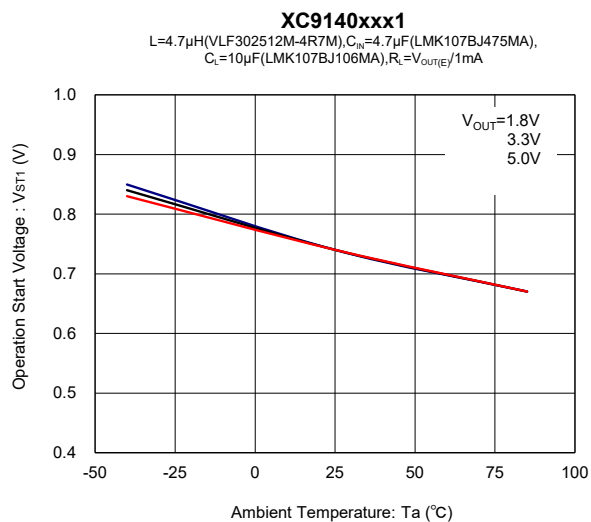
(16) CE "H" Voltage vs. Output Voltage



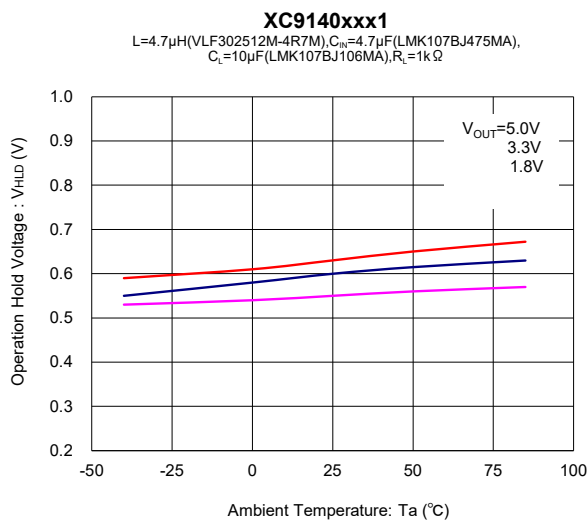
(17) CE "L" Voltage vs. Output Voltage



(18) Operation Start Voltage vs. Ambient Temperature

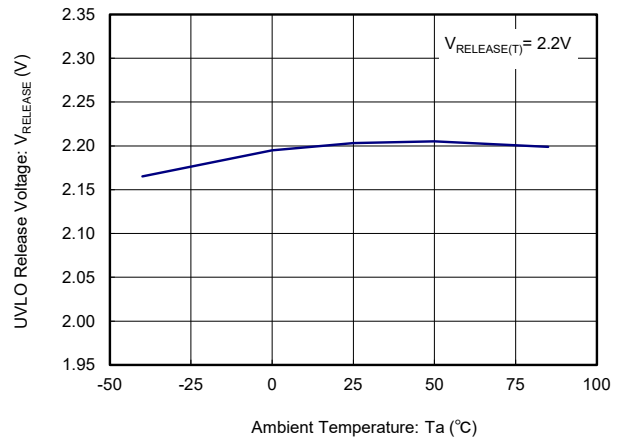
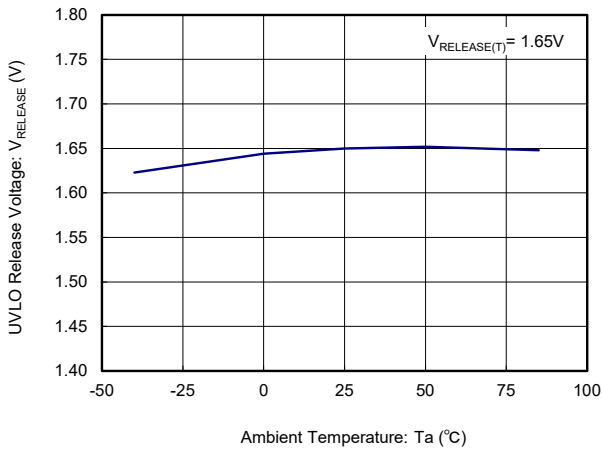


(19) Operation Hold Voltage vs. Ambient Temperature

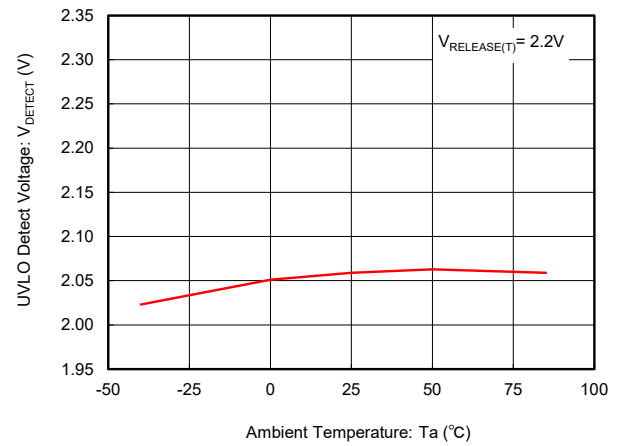
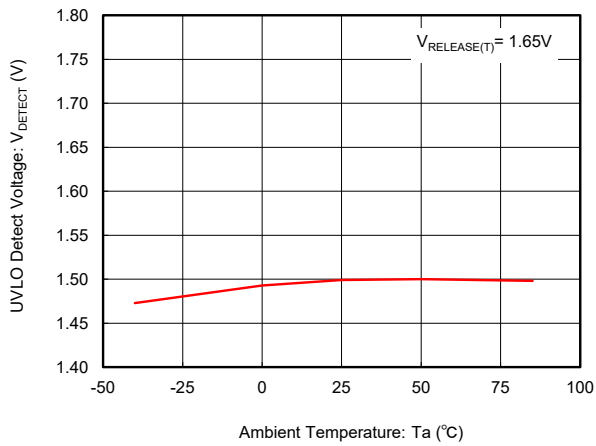


TYPICAL PERFORMANCE CHARACTERISTICS (Continued)

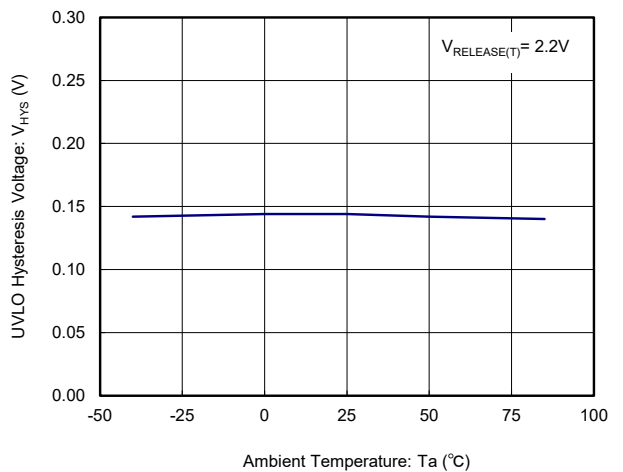
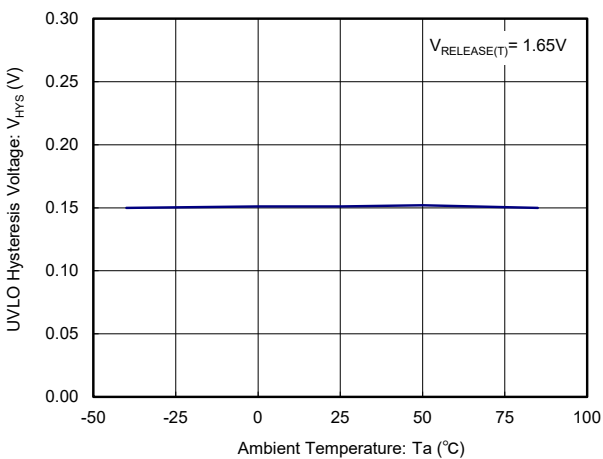
(20) UVLO Release Voltage vs. Ambient Temperature



(21) UVLO Detect Voltage vs. Ambient Temperature



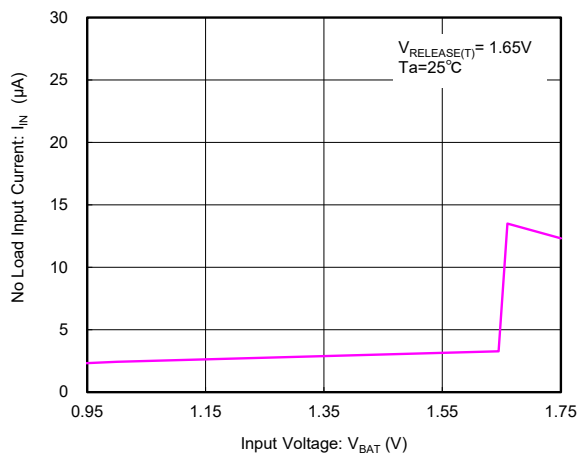
(22) UVLO Hysteresis Voltage vs. Ambient Temperature



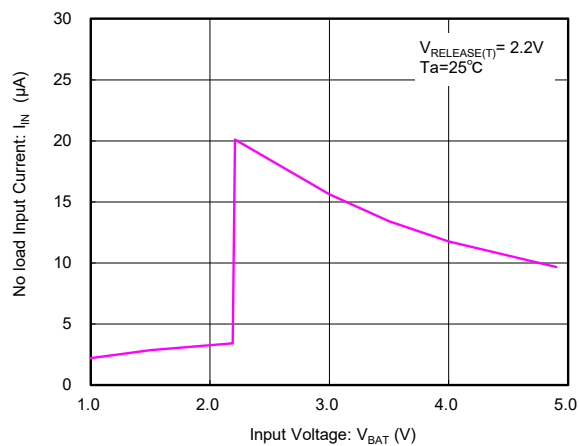
TYPICAL PERFORMANCE CHARACTERISTICS (Continued)

(23) No Load Input Current vs. Input Voltage

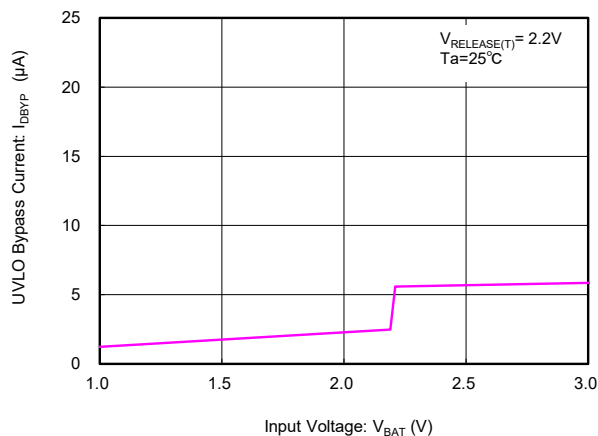
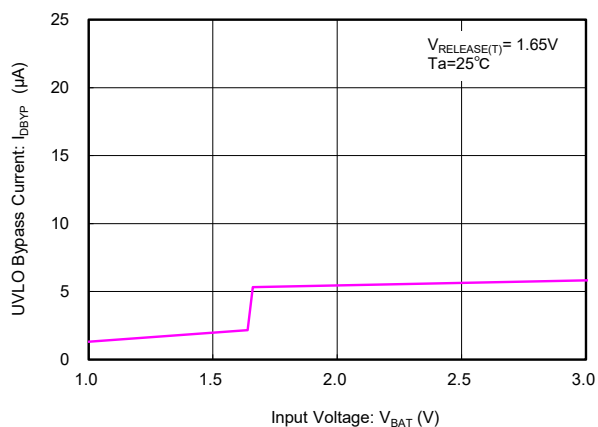
$L=4.7\mu\text{H}$ (VLF302512M-4R7M), $C_{\text{IN}}=4.7\mu\text{F}$ (LMK107BJ475MA),
 $C_{\text{L}}=10\mu\text{F}$ (LMK107BJ106MA), $V_{\text{BAT}}=V_{\text{CE}}$, $I_{\text{OUT}}=0\text{mA}$



$L=4.7\mu\text{H}$ (VLF302512M-4R7M), $C_{\text{IN}}=4.7\mu\text{F}$ (LMK107BJ475MA),
 $C_{\text{L}}=10\mu\text{F}$ (LMK107BJ106MA), $V_{\text{BAT}}=V_{\text{CE}}$, $I_{\text{OUT}}=0\text{mA}$



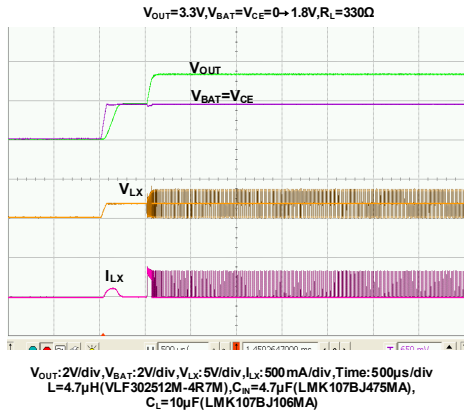
(24) UVLO Bypass Current vs. Input Voltage



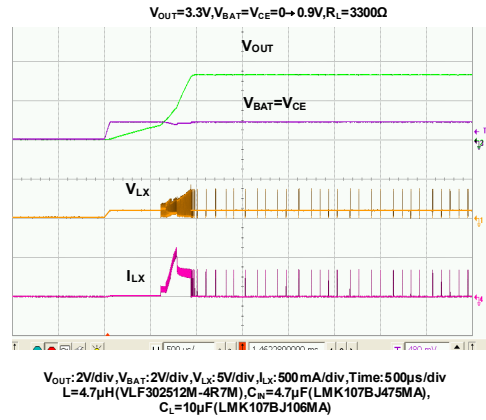
TYPICAL PERFORMANCE CHARACTERISTICS (Continued)

(25) Load Transient Response

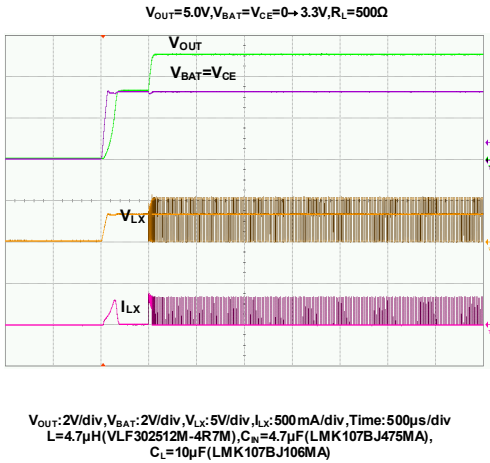
XC9140x331



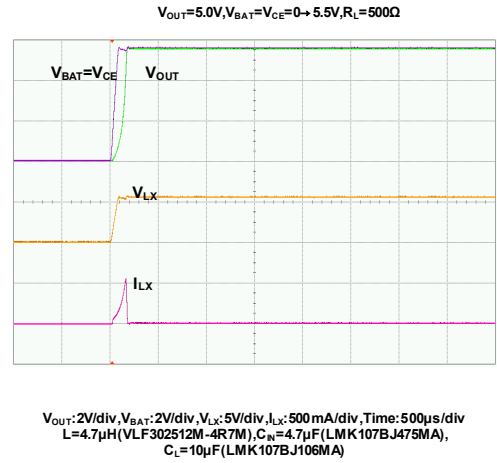
XC9140x331



XC9140x501



XC9140x501

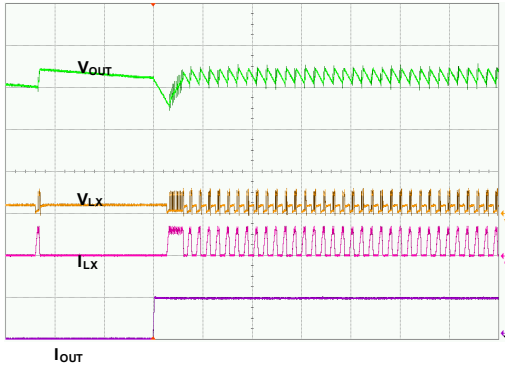


TYPICAL PERFORMANCE CHARACTERISTICS (Continued)

(25) Load Transient Response

XC9140x181

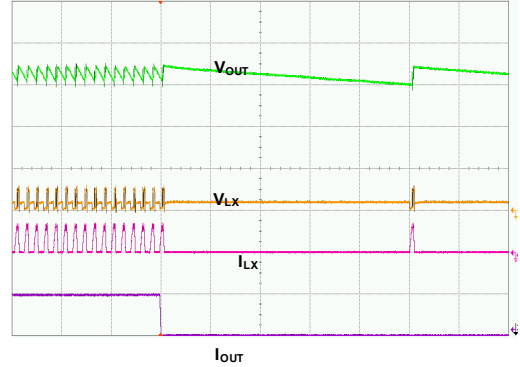
$V_{OUT}=1.8V, V_{BAT}=V_{CE}=0.9V, I_{OUT}=1mA \rightarrow 25mA$



$V_{OUT}: 100mV/div, V_{Lx}: 5V/div, I_{Lx}: 500mA/div, I_{OUT}: 25mA/div, Time: 50ns/div$
 $L=4.7\mu H(VLF302512M-4R7M), C_N=4.7\mu F(LMK107BJ475MA),$
 $C_L=10\mu F(LMK107BJ106MA)$

XC9140x181

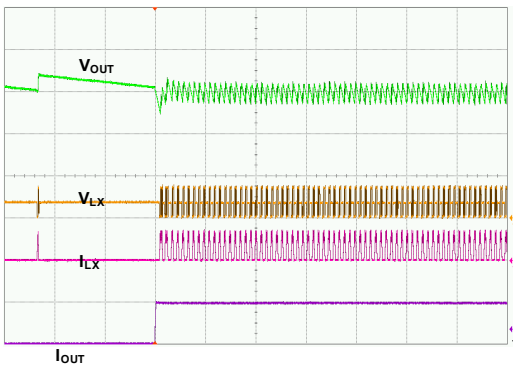
$V_{OUT}=1.8V, V_{BAT}=V_{CE}=0.9V, I_{OUT}=25mA \rightarrow 1mA$



$V_{OUT}: 100mV/div, V_{Lx}: 5V/div, I_{Lx}: 500mA/div, I_{OUT}: 25mA/div, Time: 50\mu s/div$
 $L=4.7\mu H(VLF302512M-4R7M), C_N=4.7\mu F(LMK107BJ475MA),$
 $C_L=10\mu F(LMK107BJ106MA)$

XC9140x331

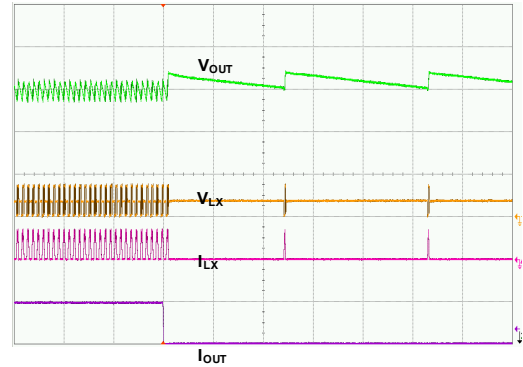
$V_{OUT}=3.3V, V_{BAT}=V_{CE}=1.8V, I_{OUT}=1mA \rightarrow 50mA$



$V_{OUT}: 100mV/div, V_{Lx}: 5V/div, I_{Lx}: 500mA/div, I_{OUT}: 50mA/div, Time: 50\mu s/div$
 $L=4.7\mu H(VLF302512M-4R7M), C_N=4.7\mu F(LMK107BJ475MA),$
 $C_L=10\mu F(LMK107BJ106MA)$

XC9140x331

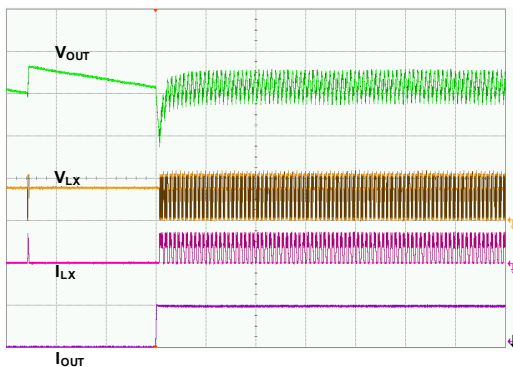
$V_{OUT}=3.3V, V_{BAT}=V_{CE}=1.8V, I_{OUT}=50mA \rightarrow 1mA$



$V_{OUT}: 100mV/div, V_{Lx}: 5V/div, I_{Lx}: 500mA/div, I_{OUT}: 50mA/div, Time: 50\mu s/div$
 $L=4.7\mu H(VLF302512M-4R7M), C_N=4.7\mu F(LMK107BJ475MA),$
 $C_L=10\mu F(LMK107BJ106MA)$

XC9140x501

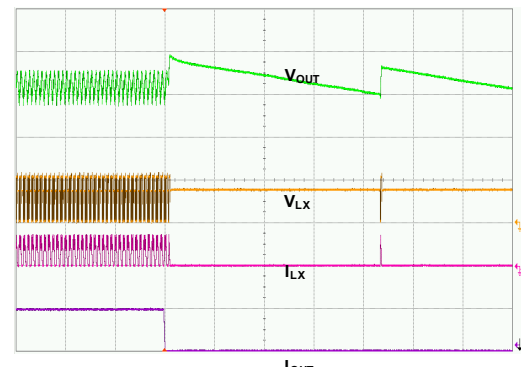
$V_{OUT}=5.0V, V_{BAT}=V_{CE}=3.7V, I_{OUT}=1mA \rightarrow 100mA$



$V_{OUT}: 100mV/div, V_{Lx}: 5V/div, I_{Lx}: 500mA/div, I_{OUT}: 100mA/div, Time: 50\mu s/div$
 $L=4.7\mu H(VLF302512M-4R7M), C_N=4.7\mu F(LMK107BJ475MA),$
 $C_L=10\mu F(LMK107BJ106MA)$

XC9140x501

$V_{OUT}=5.0V, V_{BAT}=V_{CE}=3.7V, I_{OUT}=100mA \rightarrow 1mA$



$V_{OUT}: 100mV/div, V_{Lx}: 5V/div, I_{Lx}: 500mA/div, I_{OUT}: 100mA/div, Time: 50\mu s/div$
 $L=4.7\mu H(VLF302512M-4R7M), C_N=4.7\mu F(LMK107BJ475MA),$
 $C_L=10\mu F(LMK107BJ106MA)$

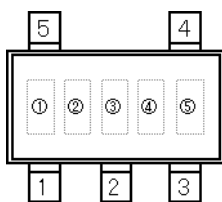
■ PACKAGING INFORMATION

For the latest package information go to, www.torexsemi.com/technical-support/packages

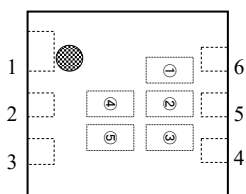
PACKAGE	OUTLINE / LAND PATTERN	THERMAL CHARACTERISTICS
SOT-25	SOT-25 PKG	SOT-25 Power Dissipation
USP-6EL	USP-6EL PKG	USP-6EL Power Dissipation

MARKING RULE

●SOT-25



●USP-6EL



① represents product series

MARK	PRODUCT SERIES
4	XC9140A**1/2**-G XC9140C**1/2**-G

② represents output voltage

MARK	OUTPUT VOLTAGE		MARK	OUTPUT VOLTAGE	
0	1.8	3.5	9	2.7	4.4
1	1.9	3.6	A	2.8	4.5
2	2.0	3.7	B	2.9	4.6
3	2.1	3.8	C	3.0	4.7
4	2.2	3.9	D	3.1	4.8
5	2.3	4.0	E	3.2	4.9
6	2.4	4.1	F	3.3	5.0
7	2.5	4.2	H	3.4	-
8	2.6	4.3			

③ represents product function

MARK	OUTPUT VOLTAGE	UVLO Release Voltage	PRODUCT SERIES
N	1.8~3.4V	No UVLO	XC9140A**1**-G
P	3.5~5.0V		
R	3.0~3.4V	2.15	XC9140A**2**-G
S	3.5~5.0V		
T	1.8~3.4V	No UVLO	XC9140C**1**-G
U	3.5~5.0V		
V	3.0~3.4V	2.15	XC9140C**2**-G
X	3.5~5.0V		

④⑤ represents production lot number

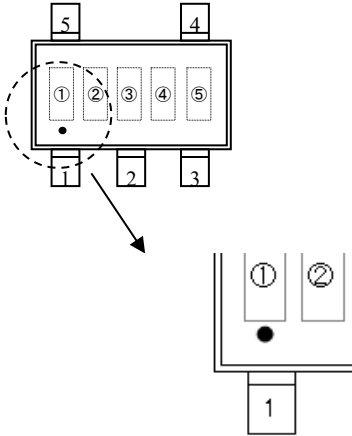
01~09, 0A~0Z, 11~9Z, A1~A9, AA~AZ, B1~

ZZ in order. (G, I, J, O, Q, W excluded)

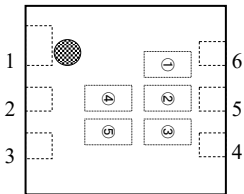
*No character inversion used.

MARKING RULE

●SOT-25 (with underline mark)



●USP-6EL



① represents product series

MARK	PRODUCT SERIES	PKG
4	XC9140A**3/4/5/6/7/8/9/A/B/C/DM*-G	SOT-25(under dot)
3	XC9140B**1/2/3/4/5/6/7/8/9/A/B/C/DM*-G	SOT-25(under dot)
2	XC9140C**3/4/5/6/7/8/9/A/B/C/DM*-G	SOT-25(under dot)
7	XC9140A**3/4/5/6/7/8/9/A/B/C/D4*-G	USP-6EL
3	XC9140B**1/2/3/4/5/6/7/8/9/A/B/C/D4*-G	USP-6EL
2	XC9140C**3/4/5/6/7/8/9/A/B/C/D4*-G	USP-6EL

② represents output voltage

MARK	OUTPUT VOLTAGE		MARK	OUTPUT VOLTAGE	
5	1.8	3.5	R	2.7	4.4
6	1.9	3.6	S	2.8	4.5
7	2.0	3.7	T	2.9	4.6
8	2.1	3.8	U	3.0	4.7
9	2.2	3.9	V	3.1	4.8
L	2.3	4.0	X	3.2	4.9
M	2.4	4.1	Y	3.3	5.0
N	2.5	4.2	Z	3.4	4.4
P	2.6	4.3			

③ represents product function

MARK	OUTPUT VOLTAGE	UVLO Release Voltage	PRODUCT SERIES
0	3.0~3.4V	2.20	XC9140***3**-G
1	3.5~5.0V		
2	3.0~3.4V	2.00	XC9140***4**-G
3	3.5~5.0V		
4	3.0~3.4V	1.80	XC9140***5**-G
5	3.0~5.0V		
6	3.0~3.4V	1.65	XC9140***6**-G
7	3.0~5.0V		
8	3.0~3.4V	1.70	XC9140***7**-G
9	3.5~5.0V		
A	3.0~3.4V	1.75	XC9140***8**-G
B	3.5~5.0V		
C	3.0~3.4V	1.85	XC9140***9**-G
D	3.5~5.0V		
E	3.0~3.4V	1.90	XC9140***A**-G
F	3.5~5.0V		
H	3.0~3.4V	1.95	XC9140***B**-G
K	3.5~5.0V		
L	3.0~3.4V	2.05	XC9140***C**-G
M	3.5~5.0V		
N	3.0~3.4V	2.10	XC9140***D**-G
P	3.5~5.0V		
R	1.8~3.4V	No UVLO	XC9140B**1**-G
S	3.5~5.0V		
T	3.0~3.4V	2.15	XC9140B**2**-G
U	3.5~5.0V		

④⑤ represents production lot number

01~09, 0A~0Z, 11~9Z, A1~A9, AA~AZ, B1~ZZ in order. (G, I, J, O, Q, W excluded)

*No character inversion used.

1. The product and product specifications contained herein are subject to change without notice to improve performance characteristics. Consult us, or our representatives before use, to confirm that the information in this datasheet is up to date.
2. The information in this datasheet is intended to illustrate the operation and characteristics of our products. We neither make warranties or representations with respect to the accuracy or completeness of the information contained in this datasheet nor grant any license to any intellectual property rights of ours or any third party concerning with the information in this datasheet.
3. Applicable export control laws and regulations should be complied and the procedures required by such laws and regulations should also be followed, when the product or any information contained in this datasheet is exported.
4. The product is neither intended nor warranted for use in equipment of systems which require extremely high levels of quality and/or reliability and/or a malfunction or failure which may cause loss of human life, bodily injury, serious property damage including but not limited to devices or equipment used in 1) nuclear facilities, 2) aerospace industry, 3) medical facilities, 4) automobile industry and other transportation industry and 5) safety devices and safety equipment to control combustions and explosions. Do not use the product for the above use unless agreed by us in writing in advance.
5. Although we make continuous efforts to improve the quality and reliability of our products; nevertheless Semiconductors are likely to fail with a certain probability. So in order to prevent personal injury and/or property damage resulting from such failure, customers are required to incorporate adequate safety measures in their designs, such as system fail safes, redundancy and fire prevention features.
6. Our products are not designed to be Radiation-resistant.
7. Please use the product listed in this datasheet within the specified ranges.
8. We assume no responsibility for damage or loss due to abnormal use.
9. All rights reserved. No part of this datasheet may be copied or reproduced unless agreed by Torex Semiconductor Ltd in writing in advance.

TOREX SEMICONDUCTOR LTD.