



## Description

Wave LED is a magnifier for industrial applications. Wave LED offer shadow-free magnification with light coming from both sides, as well as three-dimensional magnification with light coming from the left or right. The 3D-feature is especially welcome when working with circuit boards and similar delicate objects.

### Maximum flexibility and precision

No knobs to tighten, nothing to adjust. The self-balancing shade and hands-free neck assembly make exact positioning easy. The spring-balanced arm provides maximum vertical and horizontal movement, and will always stay in the right position without drifting.

WAVE LED is supplied with a 3.5- (1.88X) or 5-diopter (2.25X) white crown optical-quality glass lens. A cloth shade cover is provided to protect the lens from unwanted dust and debris. Colors: Light grey or white.

### LED: Lightsource of the future

Wave LED is equipped with two 6W LED modules, which are individually controllable. A 9/4 hour automatic shut-off feature and step dimming (0-50-100%) further ensure energy savings.

ESD-Safe models designed for use in static-sensitive environments also available. Color: Black.

UV models designed for the inspection of conformal coatings also available. Color: Light grey.

### About magnification

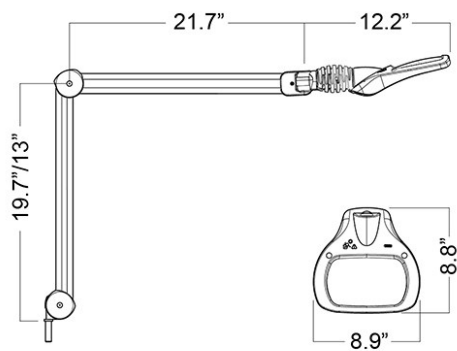
Follow this link to read more about the principles of magnification, and how a Luxo magnifier can be a valuable tool for a variety of applications.

- [Follow this link to learn more about Luxo illuminated magnifiers](#)

## Technical description

<b>Lightsource</b>	Two 6W dimmable LED modules. 13W total energy consumed. Step dimming: 0-50-100%. 4600 lux at 11" focal length. CCT: 4000°K. CRI: 80.	<b>Power supply</b>	Supplied with cable and plug.
<b>Body material and color</b>	Steel arm and die-cast aluminum shade. Color: light grey.	<b>Arm technology and movement</b>	Heavy-duty internal-spring 45" or 30" parallel, three-pivot K-arm.  An integrated auto shut-off will turn the light off after 9 or 4 hours.
<b>Mounting</b>	Standard with edge clamp or weighted base. Additional mounting options are also available.		
<b>Optics</b>	3.5- (1.88X) or 5-diopter (2.25X), 6.75" x 4.5" rectangular white crown optical-quality glass lenses are standard. For additional magnification, a secondary 4-, 6- or 10-diopter STAYS lens can be attached to the primary lens.		

## Measurement drawings



Wave LED

Energy label

