

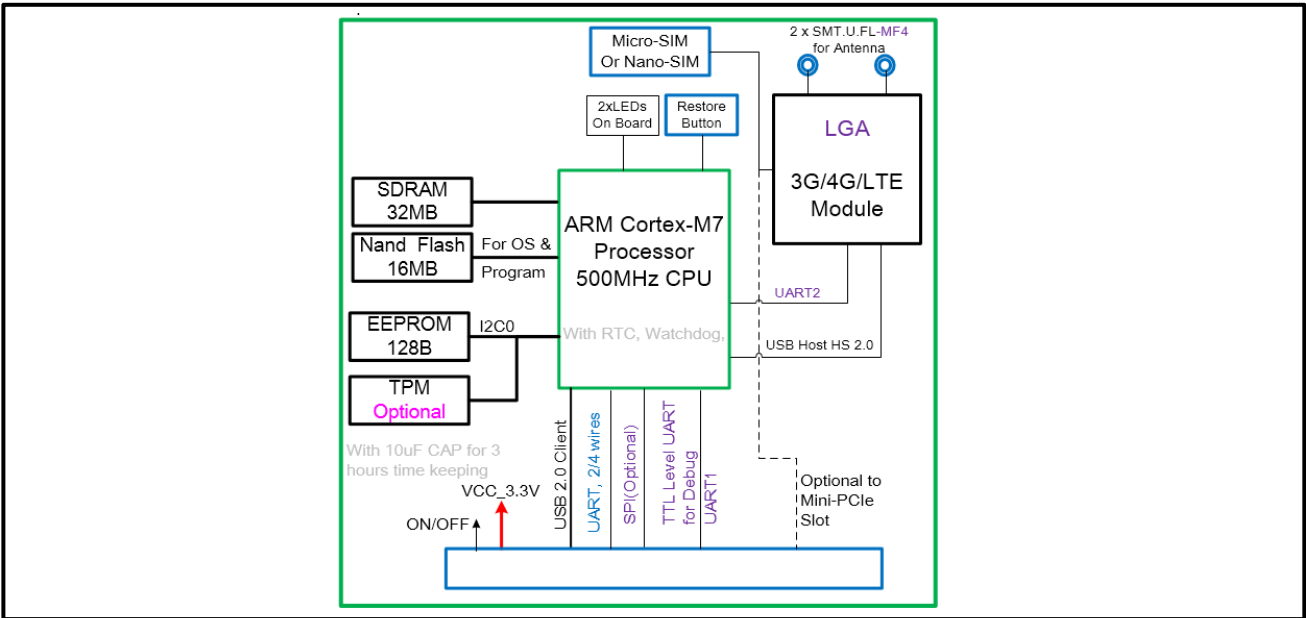
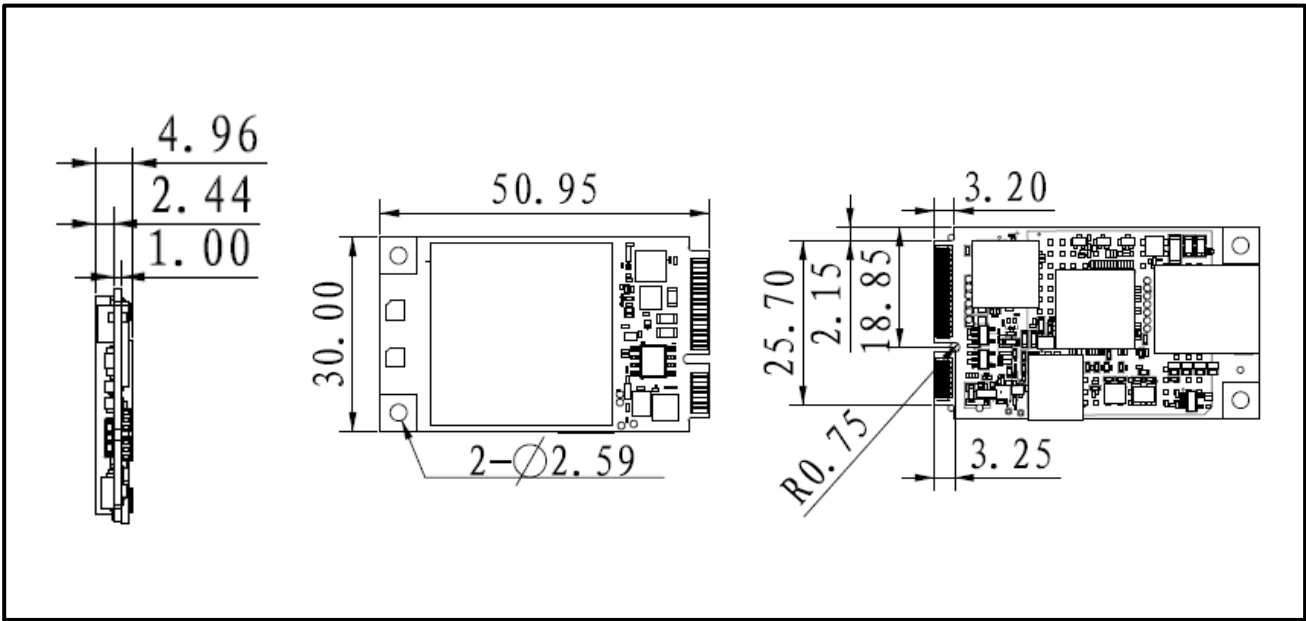
Vantron VT-MOB-CELL-MPCIE-4G is a mini-PCIe type 4G Module with SIM slot.

With ARM Cortex-M7 (Commercial / Industrial Version), this module support Telit LE910 4G/LTE modem.



## Specifications

System	Processor	Standard ARM Cortex-M7; NXPi.MX RT1050 Series Commercial (600MHz)/Industrial (500MHz) Version
	SDRAM	SDRAM 32MB
	Flash	NAND FLASH 16MB, for OS & Program
Cellular	4G	Telit: LE910 Series Modem, including LE910 4G/LTE modem
	SIM	On board Nano-SIM
	EEPROM	128B for parameter etc.
Mini-PCIe	USB	1 x USB 2.0 Client for main CPU (Work as a standard virtual USB Ethernet Port, Plug and Play)
	SIM Signal	1 x SIM Signal (Optional)
	Power ON/OFF	1 x Power ON/OFF Signal
	UART	1x UART
	Reset Signal	1 x Reset Signal
Security	Security	ATMEL: ATECC508A-SSHDA-T/B
Power	Input	Power Input: 3.3V
Mechanical	Dimensions	51mm x 30mm
Environment Condition	Temperature	Wide Temperature: -20 ~ +70°C, Optional -40 ~ +85°C Storage: -40°C ~ +85°C



Accessory

4G/LTE modem	1pc

Order Information

**Contact us for more information.**

Notes: All specifications are subject to change without notice. Please contact Vantron for additional requirements.