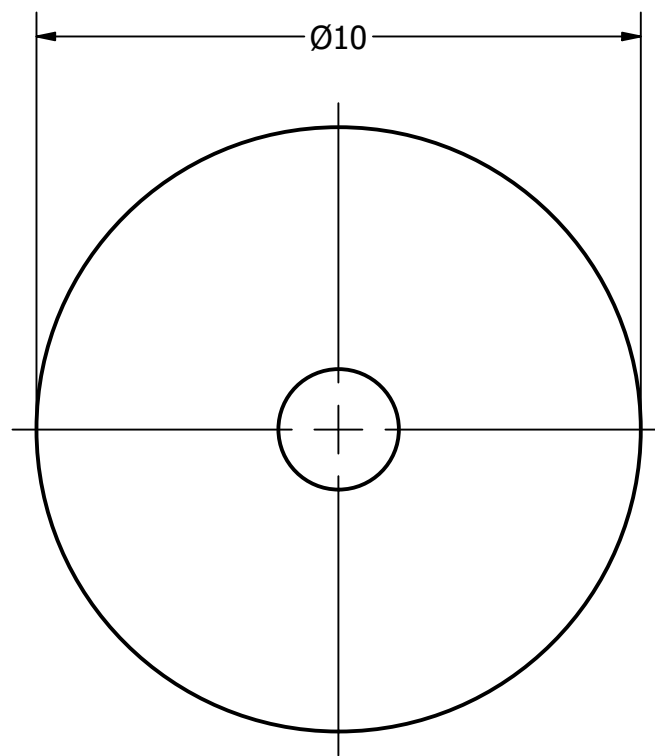
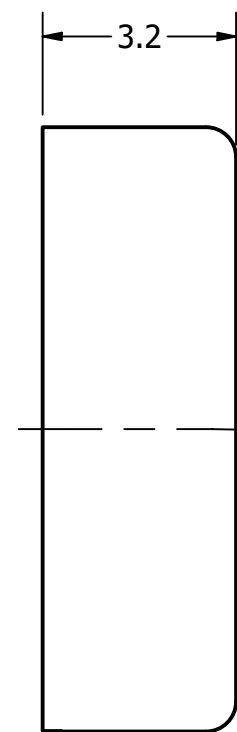


Part Number:	TP103210-1	
Description:	DRAWN	6/10/2021
	CJ	
Piezo Transducer	CHECKED	6/10/2021
	P.D.	
	APPROVED	6/10/2021
	J.S.	
This document contains data proprietary to DB Unlimited. Any use or reproduction, in any form, without prior written permission of DB Unlimited is prohibited. All terms and conditions can be found at www.dbunlimitedco.com		

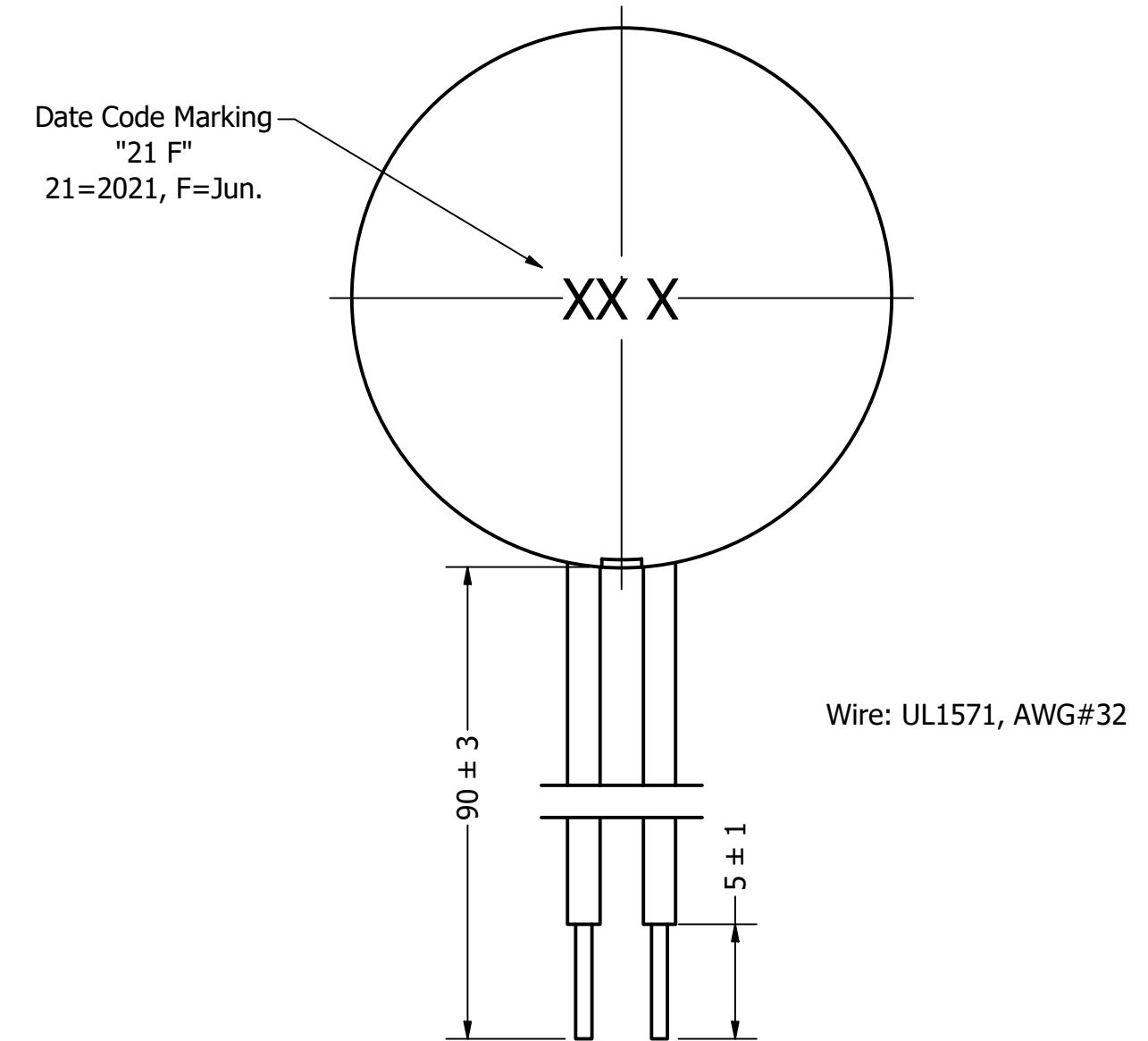
Top View



Side View



Bottom View



Items	Specifications	Conditions
Min. Sound Pressure Level	80	dB (@ 10cm)
Resonant Frequency	3,200	Hz
Rated Voltage	10	V
Voltage Range	1 ~ 30	V
Capacitance	11,000	pF
Max. Rated Current	7	mA
Storage Temperature	-20 ~ +70	°C
Operating Temperature	-20 ~ +60	°C
Connection Method	Lead Wires	
Mount Type	Flush Mount	
Housing Material	ABS	
Weight	1	g

REVISION HISTORY

REV	DESCRIPTION	DATE	APPROVED
	Released from Engineering	10/21/2013	J.S.
1	Updated to new template	6/10/2021	J.S.

NOTES

- 1) All dimensions are in mm unless otherwise noted
- 2) All tolerances are ± 0.5 mm unless otherwise noted
- 3) All parts meet RoHS
- 4) Subject to change or redrawn without notice