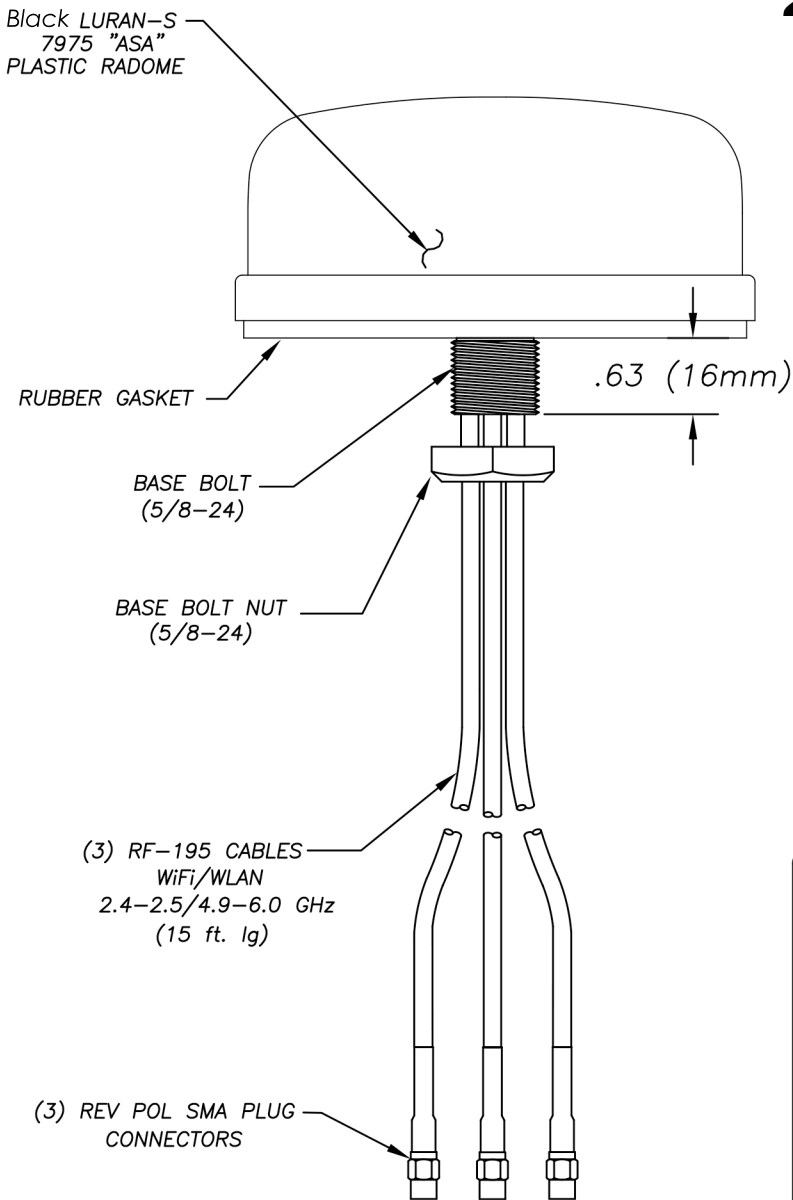


SMD-W-3J3J3J-BLK-180

MIMO Low Profile Surface Mt. Three Feed Antenna 2.4-2.5 & 4.9-6.0 GHz



Metric Dimensions in Brackets [mm]



MobileMark
antenna solutions

US OFFICE & HEADQUARTERS: 1140 W. THORNDALE AVE. ITASCA, IL 60143
TEL: (847) 671-6690 * FAX (847) 671-6715

UK OFFICE: 8 MIRAS BUS PARK, KEYS PARK ROAD. HEDNESFORD WS12 2FS, UK.
UK TEL: (+44) 1543-459555 FAX (+44) 1543-459545

VISIT OUR WEBSITE AT WWW.MOBILEMARK.COM

Antenna Specifications

Electrical Properties:

Frequency:	2.4-2.5 GHz 4.9-6.0 GHz
Polarization:	Vertical
Impedance:	50 Ohm nominal
Maximum Power:	20 Watts
Gain:	4 dBi
VSWR:	Less than 2:1
Isolation between elements	>20 dB
Cables:	(3) RF-195, 15 ft
Connectors:	(3) Rev Pol SMA Plug
Surface Mounting:	up to 1/4" thk metal
Mounting Stud Length:	5/8" lg.
Hardware:	Nut and Gasket

Mechanical Properties:

Base Diameter:	3.50" (89mm)
Height:	1.50" (38mm)
Weight:	1.0 lbs (.45 kg)
Radome Material:	BLACK "ASA"

Environmental Properties:

Operating Temperature:	-40C to +80C
Water Ingress Rating:	IP X 7
Shock and Vibration	EN61373:1999 IEEE1478-2001 MIL-STD-810G

5/10/18