



Ideal for

- *Indoor / Outdoor MIMO LTE Coverage*
- *Failover LTE*
- *High Data Speeds*

Labrador Pro Series



Features

- *5G*
- *MIMO LTE*
- *HIGH PERFORMANCE*
- *HIGH EFFICIENCY*
- *617-6000 MHz*

Product Description

The Labrador PRO Series antennas are wall-mounted with a pole-mount option. The Labrador series is perfect for 2X data speeds in buildings, outdoor LTE coverage, or LTE failover.

Patent pending.



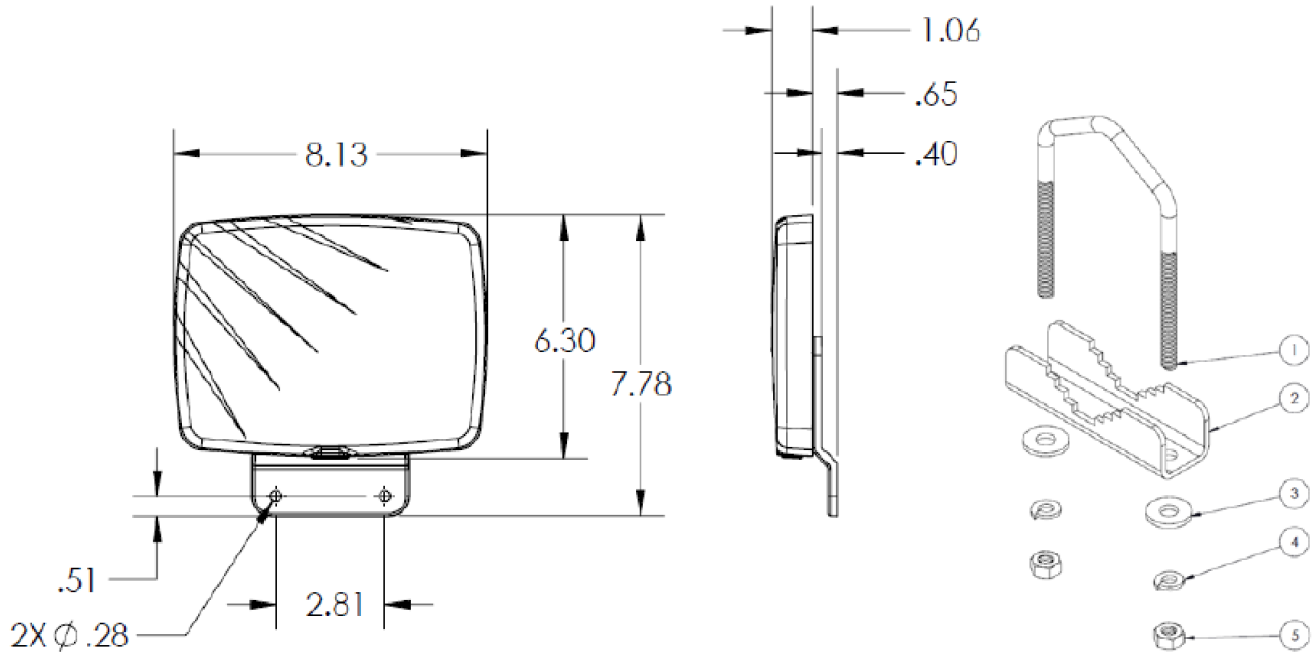
LTE Frequency Ranges

617 - 698 MHz
698 - 894 MHz
1710 - 2700 MHz
3400 - 4000 MHz
5150 - 5925 MHz

LTE Bands (US Carriers)

AT&T	2, 4, 5, 12, 14, 29, 30, 46, 48, 66
Verizon	2, 4, 5, 13, 46, 48, 66
T-Mobile	2, 4, 12, 25, 26, 41, 48, 66, 71
Mechanical	
Dimensions	8.13 inch width x 6.3 inch height 1.06 inch thickness (excluding bracket)
Mounting	Bracket with screws to a non-metallic surface Pole mount for 1.25-2.25 inch mast diameter
Environmental	
Operating Temperature	-40°C to 85°C
Ingress Protection	IP54 Outdoor

Product Dimensions



Electrical Specifications

Electrical Specifications

ID	Port	Parameters	Units	Typ.
Radiated Efficiency	LTE -1,2	617 - 698 MHz	%	50
	LTE -1,2	698 - 894 MHz		80
	LTE -1,2	1710 - 2700 MHz		75
	LTE -1,2	3400 - 4000 MHz		55
	LTE -1,2	5150 - 5925 MHz		80
Peak Gain	LTE -1,2	617 - 698 MHz	dBi	2.5
	LTE -1,2	698 - 894 MHz		3
	LTE -1,2	1710 - 2700 MHz		4
	LTE -1,2	3400 - 4000 MHz		6
	LTE -1,2	5150 - 5925 MHz		10
Return Loss (50 Ω)	LTE -1,2	617 - 698 MHz	dB	2
	LTE -1,2	698 - 894 MHz		7
	LTE -1,2	1710 - 2700 MHz		7
	LTE -1,2	3400 - 4000 MHz		6
	LTE -1,2	5150 - 5925 MHz		5
Isolation	LTE -1,2	617 - 698 MHz	dB	12
	LTE -1,2	698 - 894 MHz		10
	LTE -1,2	1710 - 2700 MHz		16
	LTE -1,2	3400 - 4000 MHz		20
	LTE -1,2	5150 - 5925 MHz		27
Polarization	LTE			Linear
Max Input Power			Watts	5
RF Connector	LTE	15ft. Cable		SMA (M)
	LTE	1ft. Pigtail		N (F)
RF Cable Type	LTE			LSR240

Ordering

Standard Antenna Part Numbers

Configurations	Part Number	Description
2:1	PTAWM2L01W	2 LTE, 1ft cable, White, SMA (M)
	PTAWM2L01W-NF	2 LTE, 1ft cable, White, N type Female
	PTAWM2L15W	2 LTE, 15ft cable, White, SMA (M)

Notes:

N type connector is recommended for outdoor usage due to it being waterproof. N type is also best used for cable runs longer than 25ft due to it being a stronger connection.

SMA connectors have a max torque of 3-5 inch lbs.



Parsec Technologies
972-804-4600
support@parsec-t.com